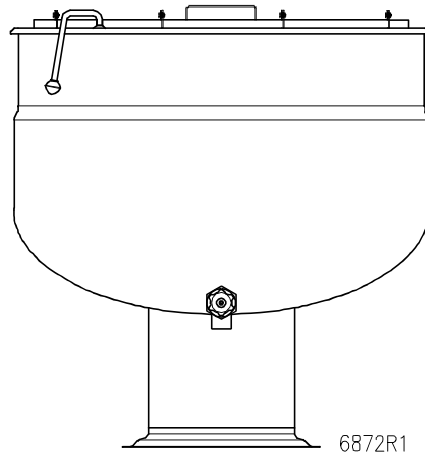
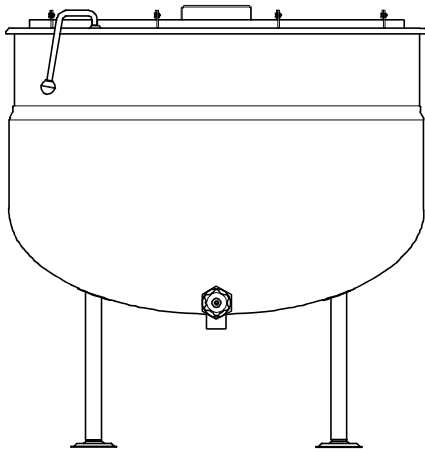


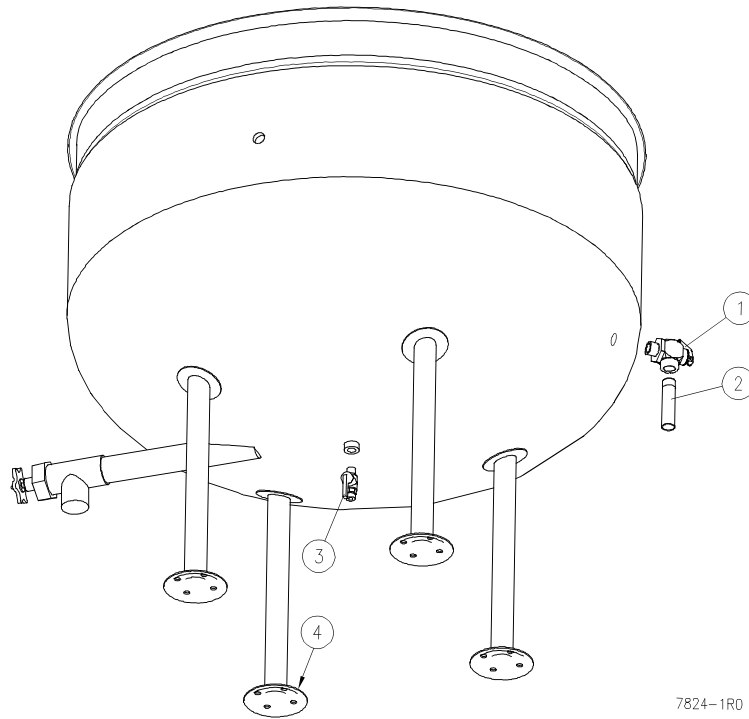
**PARTS LIST**  
**DIRECT STEAM KETTLES**  
**MODELS: DL-80F, 100F, 125, 150**  
**DP-80F**



**CROWN FOOD SERVICE EQUIPMENT LTD.**  
70 OAKDALE ROAD, DOWNSVIEW (TORONTO), ONTARIO, M3N 1V9  
TELEPHONE: (416) 746-2358, FAX: (416) 746-8324  
PRINTED IN CANADA

PARTS LIST, DIRECT STEAM KETTLES,  
 MODELS: DL-80F, DL-100F, DL-125, DL-150, DP-80F

**FIGURE 1**



7824-1R0

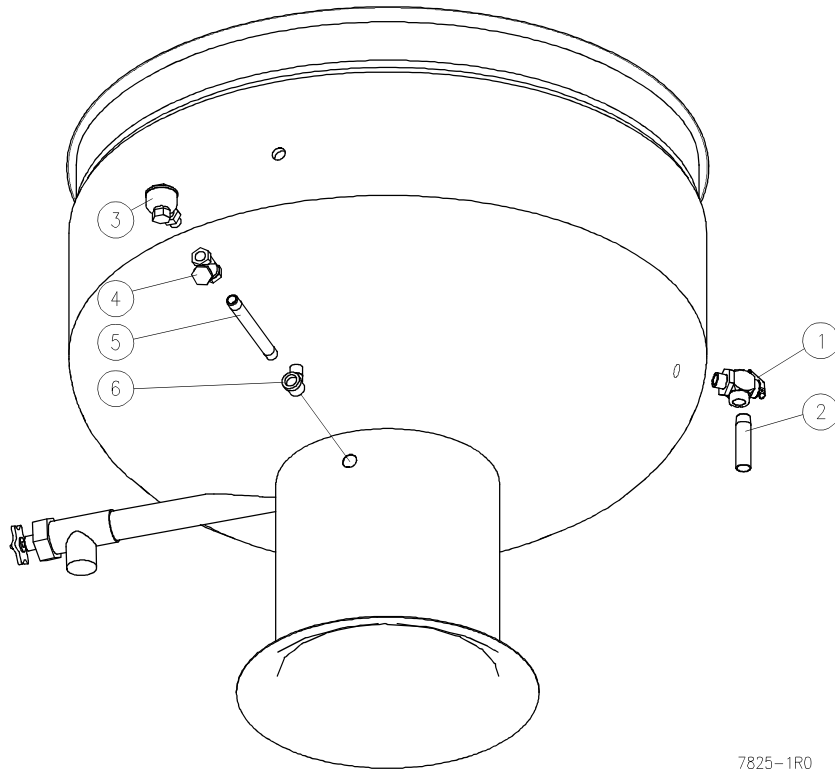
<u>ITEM</u>	<u>PART NUMBER</u>	<u>DESCRIPTION</u>	<u>QUANTITY</u>
** 1	9250-25	25 PSI Relief	1
	3-SRV8-1	Relief Valve, 35 PSI (Optional)	1
2	5184-1	Down Tube for Relief Valve	1
3	9189-1	Ball Valve	1
4	8-1308	Adjustable Foot	4

\* NOT SHOWN.

\*\* SELECT AS REQUIRED.

PARTS LIST, DIRECT STEAM KETTLES,  
 MODELS: DL-80F, DL-100F, DL-125, DL-150, DP-80F

**FIGURE 2**



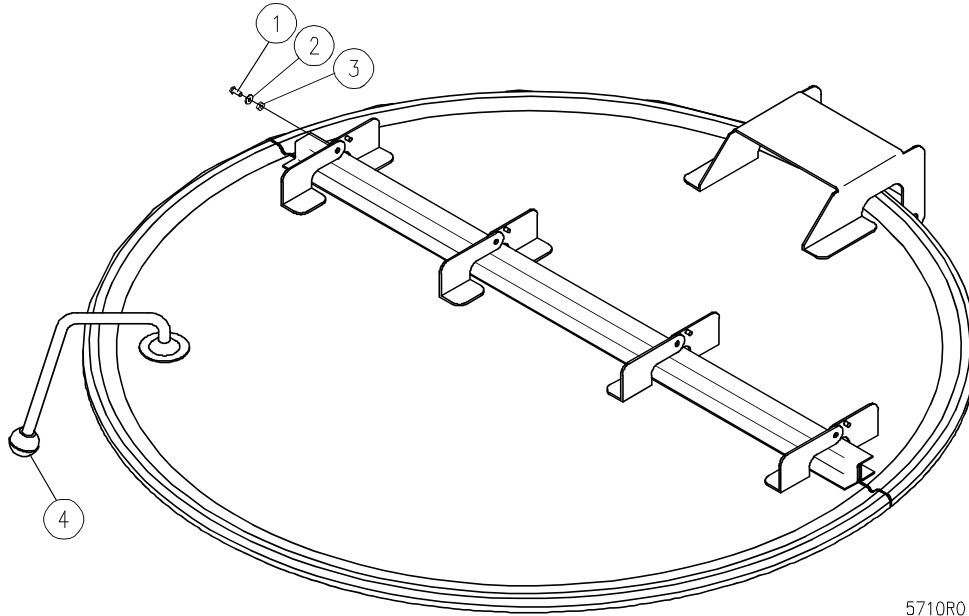
7825-1R0

<u>ITEM</u>	<u>PART NUMBER</u>	<u>DESCRIPTION</u>	<u>QUANTITY</u>
1	3-SRV8-1	Relief Valve, 35 PSI	1
	3-SRV9-1	Relief Valve, 50 PSI	1
2	5184-1	Down Tube	1
3	3-TST4	Steam Trap, 1/2", Nickel Plated	1
4	8-6035	Y-Strainer, 1/2", Nickel Plated	1
5	9009-080	Nipple, 1/2" - Schedule 40 x 8" Long	1
6	9012-3	Street Elbow, 1/2", 90°	1

PARTS LIST, DIRECT STEAM KETTLES,  
 MODELS: DL-80F, DL-100F, DL-125, DL-150, DP-80F

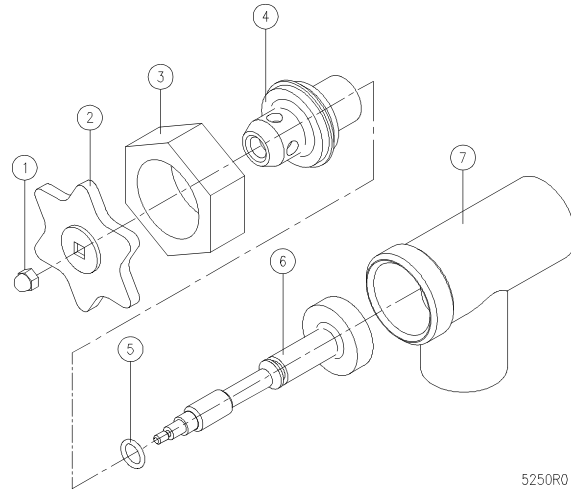
**FIGURE 3**

**SPRING ASSIST HINGE ASSEMBLY**



<u>ITEM</u>	<u>PART NUMBER</u>	<u>DESCRIPTION</u>	<u>QUANTITY</u>
1	M50X-1032-12	Hex. Bolt, #10-32 UNF x 1/2" Long	4
2	F01BR-10	Washer, 0.036 Thick x 0.200 ID x 7/16 OD	4
3	9029-32	Hex. Nut, #10-32 UNF	4
4	2-KB01	Knob	1

PARTS LIST, DIRECT STEAM KETTLES,  
 MODELS: DL-80F, DL-100F, DL-125, DL-150, DP-80F



5250R0

**DRAW-OFF VALVE**

**FIGURE 3**

<b><u>ITEM</u></b>	<b><u>PART NUMBER</u></b>	<b><u>DESCRIPTION</u></b>	<b><u>QUANTITY</u></b>
	3-D015	1-1/2" DRAW OFF VALVE ASSEMBLY	
1	9031-3	Acorn Nut 10-24 UNC	1
2	4115-1	Handle, Stainless Steel	1
3	3-DV13	Gland Nut	1
4	3-DV14	Bonnet	1
5	3-DV16	"O" Ring	1
6	3-DV15RV	Stem Assembly	1
7	3-DV17	Valve Body	1

PARTS LIST, DIRECT STEAM KETTLES,  
 MODELS: DL-80F, DL-100F, DL-125, DL-150, DP-80F

<u>ITEM</u>	<u>PART NUMBER</u>	<u>DESCRIPTION</u>	<u>QUANTITY</u>
	3-D020	2" DRAW OFF VALVE ASSEMBLY	
1	9031-3	Acorn Nut 10-24 UNC	1
2	4115-1	Handle, Stainless Steel	1
3	3-DV23	Gland Nut	1
4	3-DV24	Bonnet	1
5	3-DV26	"O" Ring	1
6	3-DV25RV	Stem Assembly	1
7	3-DV27	Valve Body	1

<u>ITEM</u>	<u>PART NUMBER</u>	<u>DESCRIPTION</u>	<u>QUANTITY</u>
	3-D030	3" DRAW OFF VALVE ASSEMBLY	
1	3-DV31	Acorn Nut, 7/16-14 UNC	1
2	3-DV32	Handle, Stainless Steel	1
3	3-DV33	Gland Nut	1
4	3-DV34	Bonnet	1
5	3-DV36	"O" Ring	1
6	3-DV35RV	Stem Assembly	1
7	3-DV37	Valve Body	1