

DIRECT STEAM FULL JACKETED TRI-LEG KETTLE

**NOT FOR
PUBLIC RELEASE**

Model	Capacity	
DL-20F	20 Gallon	76 Litre
DL-30F	30 Gallon	114 Litre
DL-40F	40 Gallon	152 Litre
DL-60F	60 Gallon	227 Litre
DL-80F	80 Gallon	303 Litre

SPECIFICATIONS:

Shall be a CROWN Model DL_____ direct steam connected, full jacketed, tri-leg kettle. A double wall kettle interior shall form a steam jacket around the lower $\frac{2}{3}$ of the kettle. The bottom of the kettle shall be of hemispherical design for superior heat circulation.

Unit shall be mounted on stainless steel tubular tri-legs. Each leg shall be fitted with a 4-hole adjustable flange foot for securing to the floor.

Construction shall be all welded satin finish, stainless steel, type 304.

Convenience features shall include a hinged counterbalanced stainless steel cover and a 2" (50mm) sanitary draw-off valve with a heat resistant handle. Standard spring assist cover for 30 - 80 gallon models.

OPERATION SHALL BE BY:

Direct steam at a minimum of 5 psi (34 kPa) and a maximum of 35 psi (241 kPa).

OPTIONAL ITEMS AT EXTRA COST:

- Type 316 stainless steel liner for high acid content products
- 50 psi (345 kPa) high pressure operation for higher temperature cooking
- Triple basket assembly
- 3" (76 mm) draw-off valve
- Steam trap assembly consisting of steam trap, steam inlet globe valve, line strainer
- Strainer for draw-off valve
- Graduated measuring stick
- Strainer hook
- Spring assist cover for 20 gallon



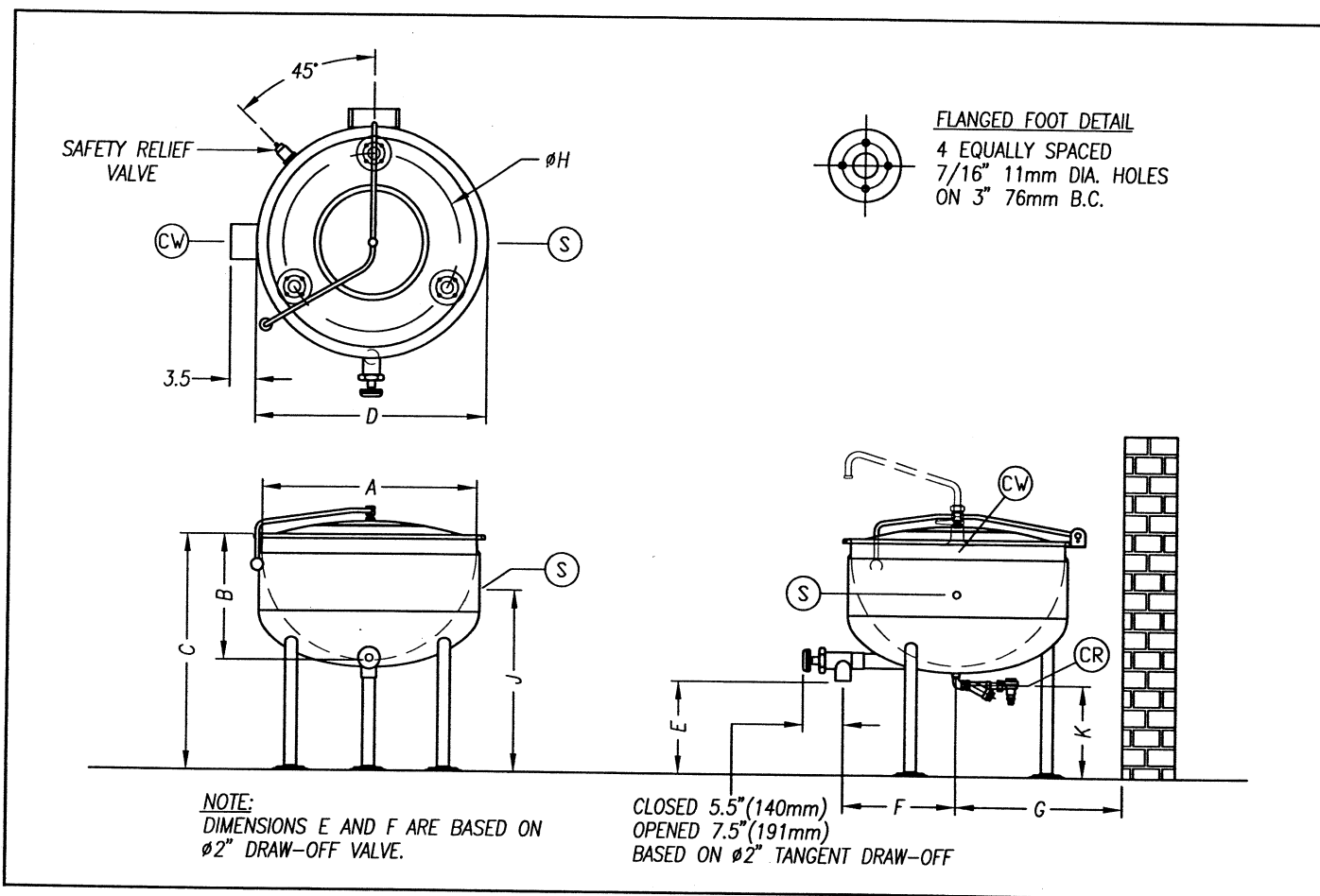
CROWN DETAILS AND DIMENSIONS

SERVICE CONNECTIONS

S - Steam supply $\frac{3}{4}$ " NPT (19mm).
 CW - COLD WATER - $\frac{3}{8}$ " (10mm) nominal tubing to kettle fill faucet (OPTIONAL).
 CR - Condensate return $\frac{1}{2}$ " NPT (13mm).

DIMENSIONS

MODEL	CAPACITY	UNITS	A	B	C	D	E	F	G	H	J	K	L
DL-20F	20 gallons 76 litres	inches mm	26 660	15.75 400	37 940	27.5 699	19 483	14.25 362	16 406	22.88 581	30.63 778	18.75 476	64.5 1638
DL-30F	30 gallons 114 litres	inches mm	29.5 749	17.5 445	37 940	31 787	17.25 438	16 406	17.75 451	25 635	29.69 754	17 432	68 1727
DL-40F	40 gallons 152 litres	inches mm	33 838	19.25 489	37 940	34.5 876	15.5 394	18 457	19.5 495	29.88 759	29.13 740	15.25 387	71.5 1816
DL-60F	60 gallons 227 litres	inches mm	35.5 902	20.5 521	40.5 1029	37 940	17.75 451	17.5 445	20.75 527	32.38 822	32.13 816	17.5 445	77.5 1969
DL-80F	80 gallons 303 litres	inches mm	42 1067	23.75 603	40.5 1029	43.5 1105	14.5 368	- -	24 610	36.13 918	15.88 403	14.25 362	84 2134



As continued product improvement is a policy of Crown, specifications are subject to change without notice.