

DIRECT STEAM PEDESTAL TILTING KETTLE



Model	CAPACITY	
DPT-20	20 gallon	76 litre
DPT-30	30 gallon	114 litre
DPT-40	40 gallon	152 litre
DPT-60	60 gallon	227 litre
DPT-80	80 gallon	303 litre

OPERATION SHALL BE BY:

Direct steam at a minimum of 5 psi (34 kPa) and a maximum of 30 psi (207 kPa).

SPECIFICATIONS:

Shall be a CROWN Model _____, direct connected, steam, pedestal tilting kettle. A double wall kettle interior shall form a steam jacket around the lower 2/3 of the kettle. The bottom of the kettle shall be of hemispherical design for superior heat circulation. The pedestal base shall have four 7/16" (11 mm) holes evenly spaced for securing to the floor. A sealed tilting mechanism shall permit the kettle to tilt forward a full 90° for complete emptying. The tilting mechanism shall be self locking for positive stop action.

Construction shall be all welded satin finish stainless steel, type 304. The kettle interior on models 20 through 40 gallon shall be stainless steel type 316 for high acid content cooking.

The kettle shall be ASME Code stamped, National Board Registered and NSF certified.

OPTIONAL ITEMS AT EXTRA COST:

- Type 316 stainless steel liner for high acid content cooking on 60 and 80 gallon models.
- 50 psi (345 kPa) high pressure operation for higher cooking temperature.
- 2" (50 mm) draw-off valve (TVT-2).
- 3" (76 mm) draw-off valve (TVT-3).
- 2" (50 mm) dairy valve (DDO-2T).
- 3" (76 mm) dairy valve (DDO-3T).
- Spring assist cover (CH-).
- Etched gallon markings (GM-).
- Etched litre markings (LM-).
- Correctional package.

ACCESSORIES:

- Single pantry faucet with swing spout (SF-18).
- Double pantry faucet with swing spout (DF-18).
- One piece lift off cover (C-).
- Triple basket assembly (TBA-).
- Steam trap assembly (STA-1).
- Perforated strainer for draw-off valve (TPS-).
- Solid disc for draw-off valve (TSS-).
- Strainer hook (SH-).
- Graduated measuring strip (GMS-).
- Pan carrier (PC-1).
- Pour lip strainer (TKS-).
- Draw-off valve hose kit (DVHK-2).



CROWN DETAILS AND DIMENSIONS

SERVICE CONNECTIONS

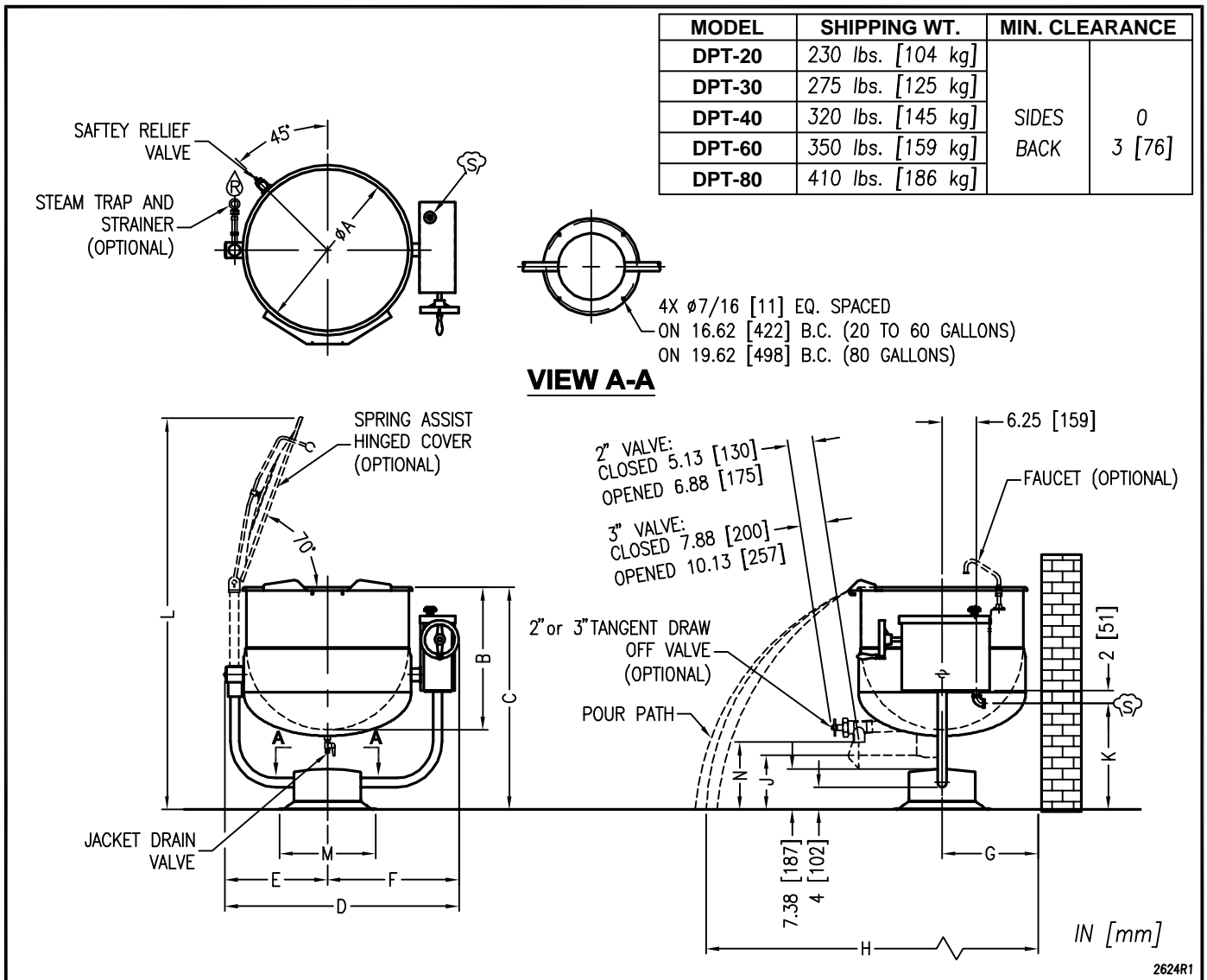
☁ - STEAM SUPPLY: 3/4"IPS 5-30 psi (34-207 kPa). Optional 5-45 psi (34-310 kPa). *

Ⓐ - CONDENSATE RETURN: 1/2"IPS

DIMENSIONS

MODEL	CAPACITY	UNITS	A	B	C	D	E	F	G	H	J	K	L	M	N(2")	N(3")
DPT- 20	20 gallons	inches	21	18	37	34.75	14.75	20	13.5	41	15.25	20.5	59.5	17.5	16.75	16.25
	76 litres	mm	535	460	940	883	375	508	343	1041	387	521	1512	445	425	413
DPT- 30	30 gallons	inches	24	20	37	37.75	16.25	21.5	14	43	13.25	20	62.5	17.5	14.75	14.25
	114 litres	mm	610	510	940	959	413	546	356	1092	337	508	1588	445	375	362
DPT- 40	40 gallons	inches	26	22.5	37	39.75	17.25	22.5	15.5	45	10.75	18.5	64	17.5	12.25	11.75
	152 litres	mm	660	570	940	1010	438	572	394	1143	273	470	1626	445	311	298
DPT- 60	60 gallons	inches	29.5	26	40.5	43	18.87	24.13	17.5	48	10.25	19.25	74	17.5	14.25	13.75
	227 litres	mm	750	660	1029	1092	479	613	445	1219	260	489	1879	445	362	349
DPT- 80	80 gallons	inches	33	28	42.5	46.5	20.63	25.88	19	52	9.75	20.5	76	20.5	12.25	11.75
	303 litres	mm	840	710	1080	1181	524	657	483	1321	248	521	1930	521	311	298

* Pressure reducing valve is required if incoming pressure exceeds rating of kettle.



As continued product improvement is a policy of Crown, specifications are subject to change without notice.