



*ABR-120 shown
with optional Portable Stand*

The Industry Leader in Burnishing
Adamation Burnishers are in use in nearly every country of the world, and have been the standard of the industry for over 40 years.

ABR-120

*formerly
model #EG-7*

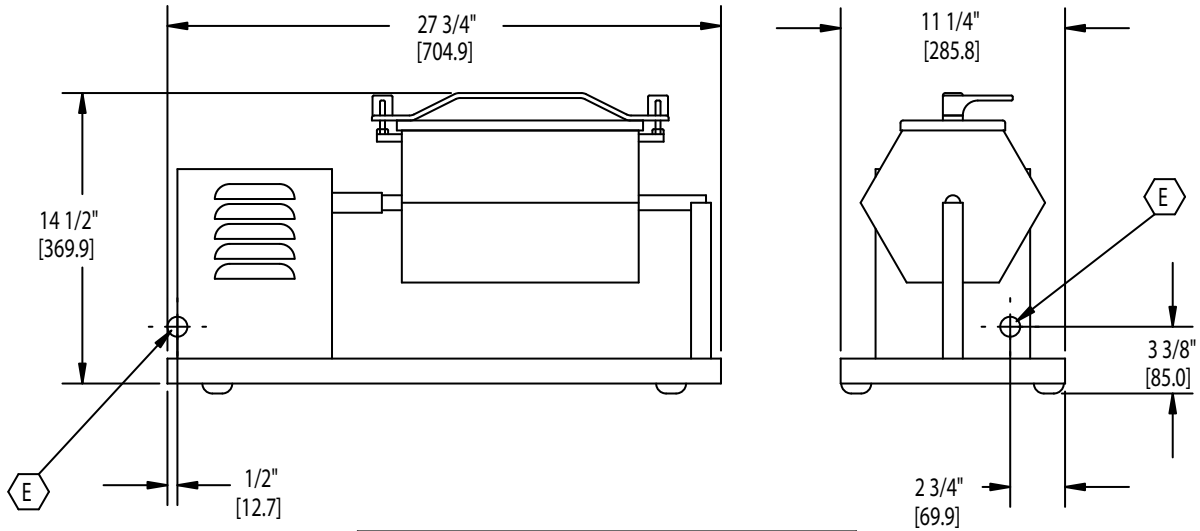
Tabletop Rotary Silverware Burnisher
Rated capacity of 120 pcs. of flatware, 25 lbs. of media. Ideal for smaller dining establishments and catering companies.

STANDARD FEATURES

- **Vinyl Coated Hexagonal Rotary Drum**
Cushions silver and reduces noise. Hexagonal shape creates "slide zone" to gently roll away scratches.
- **Stainless Steel Construction**
For long life and easy maintenance in any environment.
- **Quick-acting Hand Release Latches**
Speeds loading and unloading of flatware.
- **Standard 110v Operation**
Plugs into any standard electrical outlet.
- **Hardened Steel Polishing Media**
Includes 25 lbs. of burnishing balls and 1 gal. burnishing liquid.

OPTIONAL EQUIPMENT

- **Drain Cover**
Prevents media loss during draining.
- **Portable Stand with Casters**
Allows machine to be easily re-positioned and stored when not in use.



LEGEND	
ELECTRICAL 4' 115V CORD	

Specifications

Flatware Capacity	Media Capacity	Burnishing Compound	Crate Size	Ship Weight
120 pcs.	25 lbs.	1 gal.	4.7 cu. ft.	approx. 105 lbs.

Electrical Requirements

Current (V/Ph/Cyc)	Amps
115 / 1 / 60	1.4