

Distributed by :
MBH International Sales, Inc.

For More Information
Email : Sales@mbhny.com



Refrigeration Hardware

REFRIGERATION COMPONENTS



Alphabetical Index

DESCRIPTION	PAGE	DESCRIPTION	PAGE
B		L	
BRACKETS, CONCEALED PIVOT	E17 - E19	LATCHES	E2 - E8
BREAKER STRIP	E28	M	
C		MICRO MINI-VENT PORT	E31
CABINET LATCHES	E7	O	
CAULK GUN	E25	ORDER FORMS, CUSTOM GASKET	E29
COMPOUND, HEAT TRANSFER	E25	ORDER FORMS, CUSTOM WIRE SHELF	E30
CONCEALED CARTRIDGE HINGE	E15	P	
CONCEALED PIVOT BRACKETS	E17 - E19	PADDLOCK HASP ASSEMBLY	E22
CONDUIT SLEEVE	E25	PILASTER / PILASTER SUPPORTS	E24
E		POWER CARTRIDGE ASS'Y	E16
EVAPORATORS, CONDENSATE	E20, E21	POWER SPRING CONVERSION KIT	E10
EVAPORATOR BRACKET	E20	S	
G		SHELF CLIPS	E24
GASKETS	E26 - E28	SHELVES, WIRE	E30
GROMMETS, RUBBER	E25	SUPPORT, KEYHOLE	E24
H		SUPPORT, SHELF	E24
HANDLES	E1	T	
HEAT TRANSFER COMPOUND	E25	THERMAL MASTIC	E25
HINGES	E8 - E16	THERMOMETERS	E23
HINGE REPLACEMENT PARTS	E15	THUMBSCREWS	E24
HINGE SELECTOR GUIDE	E14	V	
I		VENT PORT, MICRO-MINI	E31
ICE SCOOP	E31	W	
		WIRE SHELVES	E30

Component Hardware Group is a proud member of the following organizations

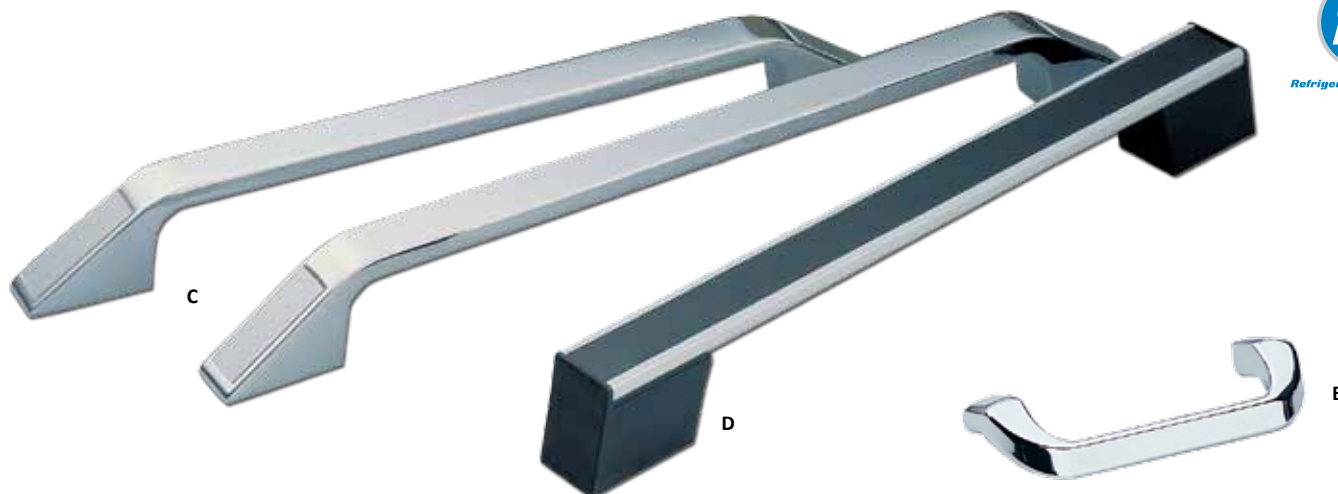


Products shown in this catalog may be listed and/or certified by one or more of the following regulatory agencies and will be designated by the following marks

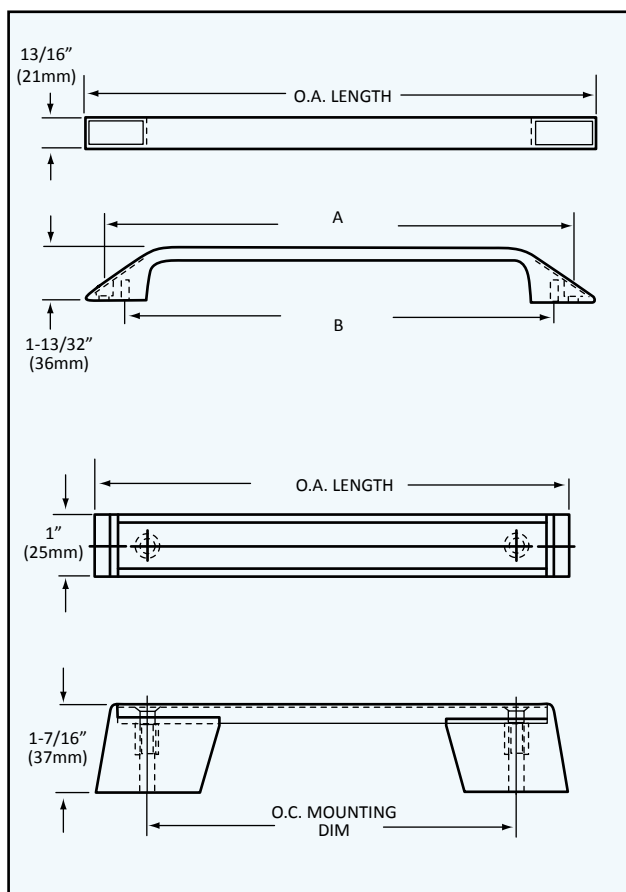




Refrigeration Hardware



HANDLES



REF. C

SCULPTURED HANDLES

FEATURING

- SOLID METAL CASTING • POLISHED CHROME FINISH
- FRONT OR REAR FASTENING • TWO LENGTHS AVAILABLE

MODEL NO.	O.A. LENGTH	"A" DIM.	"B" DIM.
P48-1010	14-5/8" (371mm)	13-7/16" (340mm)	12-7/16" (316mm)
P48-1012*	12-13/16" (325mm)	11-5/8" (295mm)	10-5/8" (270mm)

NOTES: "A" DIMENSION REPRESENTS HOLE CENTERS FOR FRONT MOUNTING #10 SCREWS. "B" DIMENSION REPRESENTS THREADED HOLE CENTERS TO RECEIVE 1/4-20 SCREWS FOR REAR MOUNTING. DECORATIVE TRIM INSERTS ARE SUPPLIED TO CONCEAL FRONT MOUNTING SCREWS. EXTRA TRIM INSERTS ARE AVAILABLE AND MAY BE ORDERED AS **MODEL NO. P48-X002**.

*REPLACES KASON #912 WITH KEIL QUALITY HARDWARE

REF. D

DECORATIVE HANDLES

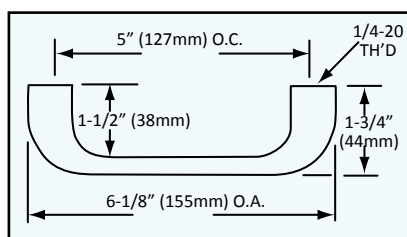
FEATURING

- DUAL MOUNTING - FRONT OR REAR • TWO STANDARD LENGTHS AVAILABLE
- HEAT RESISTANT • HEAVY DUTY CONSTRUCTION
- ANODIZED ALUMINUM HANDLE WITH NYLON SUPPORTS

MODEL NO.	O.A. LENGTH	O.C. MOUNTING DIM.
P49-1500-6	7-11/16" (195mm)	6" (152mm)
P49-1500	12-1/4" (311mm)	10-5/8" (270mm)

NOTES: PRE-ASSEMBLED HANDLES WILL ACCEPT SCREWS FOR FRONT MOUNTING. INTERNAL BRASS BUSHINGS ACCEPT STANDARD 1/4-20 MACHINE SCREWS FOR REAR FASTENING. A PRESSURE SENSITIVE BLACK VINYL INSERT CONCEALS SCREW HOLES. OTHER LENGTHS AVAILABLE UPON APPLICATION ON QUANTITY ORDERS.

*REPLACES KASON #915 WITH KEIL QUALITY HARDWARE



REF. E

OFFSET HANDLE

- IDEAL FOR ICE BIN DOORS
- POLISHED CHROME FINISH

MODEL NO. P40-1010

MATERIAL: CHROME PLATED DIE CAST METAL

*REPLACES KASON #573 WITH KEIL QUALITY HARDWARE

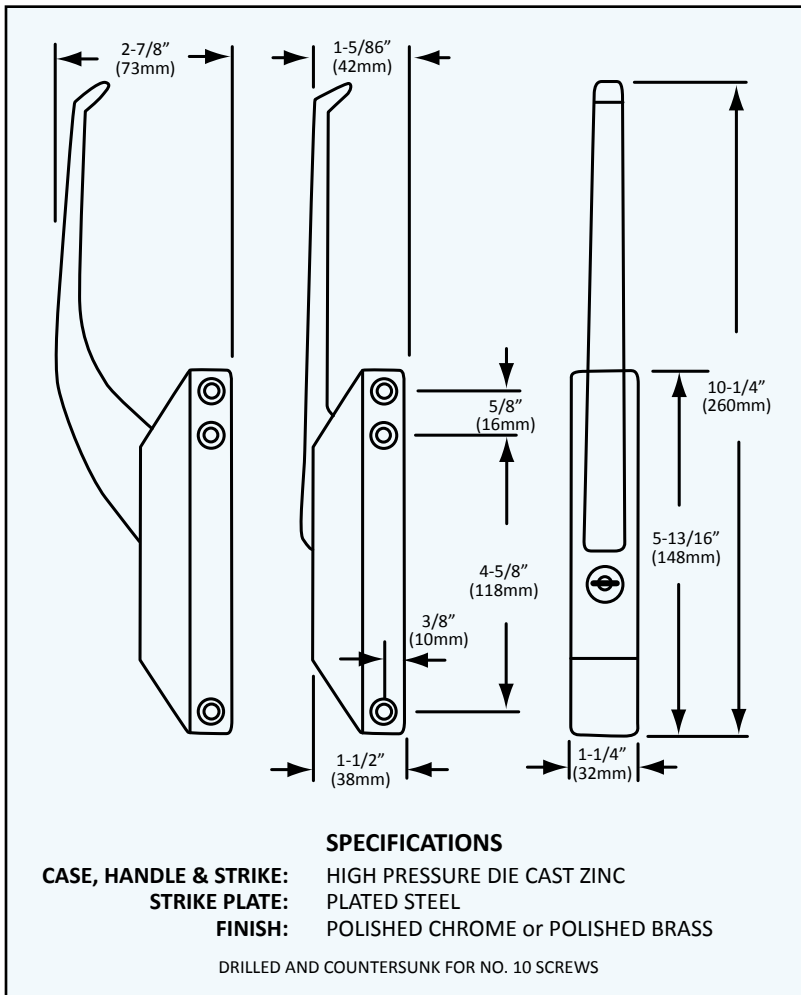
Mechanical Latches



Refrigeration Hardware



POSITIVE PRESSURE SEAL
CROSS SECTION DETAIL



MECHANICAL EDGEMOUNT LATCHES WITH POSITIVE PRESSURE SEAL

- MOUNTING HOLE LOCATIONS ARE INTERCHANGEABLE WITH COMPETITORS' LATCHES
- UNIQUE KEEPER PREVENTS DOOR FROM BEING OVERRIDDEN
 - SERRATED STRIKER PLATE PERMITS QUICK ADJUSTMENT TO COMPENSATE FOR DOOR SAG
- POLISHED BRASS AND POLISHED CHROME PLATED FINISHES
 - AVAILABLE IN STRAIGHT AND OFFSET MODELS
 - CYLINDER AND NON-CYLINDER MODELS
 - HEAVY-DUTY RUGGED CONSTRUCTION
 - ADJUSTABLE FOR RIGHT OR LEFT HAND USE

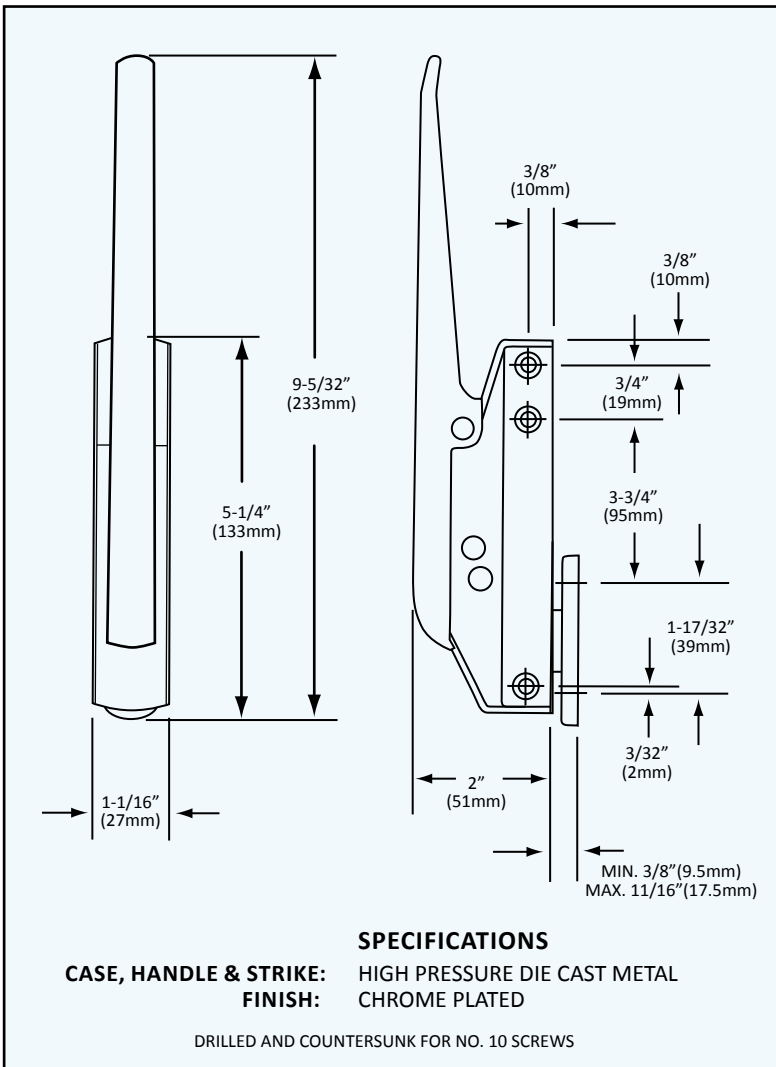
EDGEMOUNT LATCHES - R35 SERIES

MODEL NO.	DESCRIPTION
R35-1105	STRAIGHT HANDLE NO CYLINDER LOCK
R35-1105-C	STRAIGHT HANDLE WITH CYLINDER LOCK
R35-1105-X	OFFSET HANDLE NO CYLINDER LOCK
R35-1105-XC	OFFSET HANDLE WITH CYLINDER LOCK

KEYS SHOWN ARE AVAILABLE SEPARATELY
USE **MODEL NO. P30-0802**

STRIKE ONLY - **MODEL NO. R35-Y001**

CYLINDER LOCK - **MODEL NO. R35-Y005**



MECHANICAL SNAP-ACTION EDGEMOUNT LATCH WITH PADLOCK FEATURE

- TWO WAY ADJUSTABLE STRIKE OFFERS EASY TENSION ADJUSTMENT TO COMPENSATE FOR POSITIVE GASKET SEAL
- SERRATED STRIKER PLATE PERMITS QUICK ADJUSTMENT TO COMPENSATE FOR DOOR SAG
 - POWERFUL GRIP ACTION INSURES POSITIVE AIR-TIGHT CLOSURE
 - CHROME PLATED FINISH
 - DESIGNED TO ACCEPT SECURITY PADLOCK
 - REVERSIBLE FOR RIGHT OR LEFT HAND USE
- MOUNTING HOLE LOCATIONS ARE INTERCHANGEABLE WITH COMPETITORS' LATCHES

MODEL NO. R26-1000

*REPLACES KASON #533 WITH KEIL QUALITY HARDWARE

STRIKE ONLY - **MODEL NO. R26-Y001**

Magnetic/Mechanical Latches



Refrigeration Hardware



MAGNETIC / MECHANICAL EDGEMOUNT LATCHES WITH FLOATING MAGNET

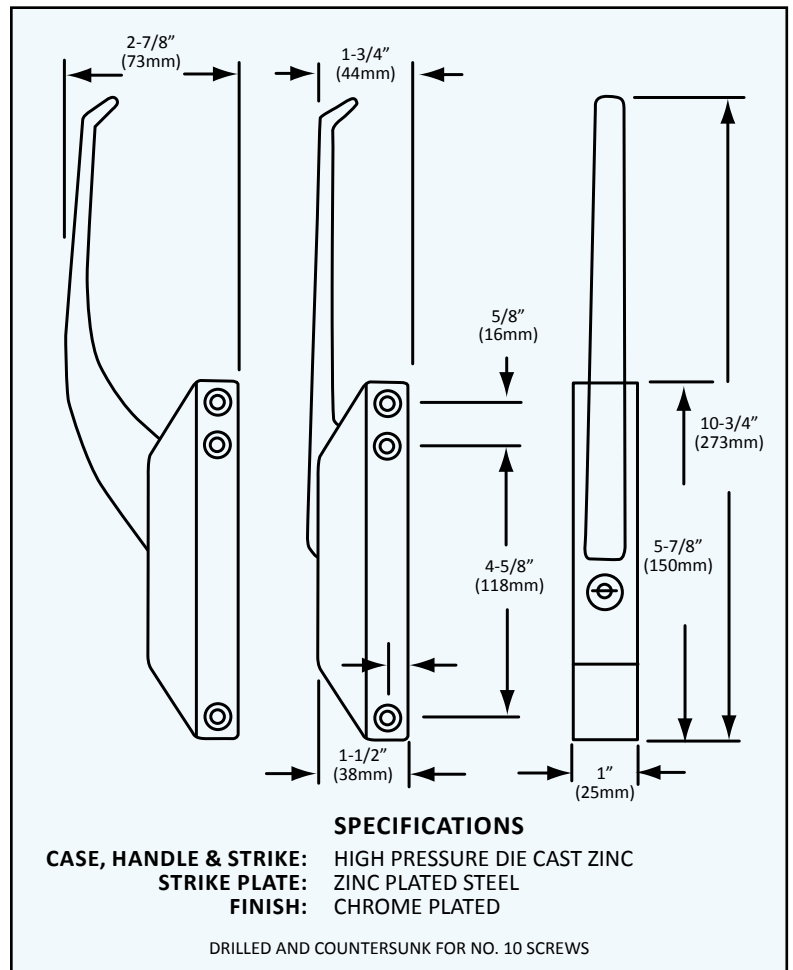
- UNIQUE DUAL DESIGN OFFERS BOTH MECHANICAL LATCHING AND MAGNETIC FORCE TO PROVIDE POSITIVE SEAL AND ELIMINATE DOOR BOUNCE BACK
- UNIQUE FOUR POSITION SOLID ONE PIECE STRIKE BRACKET AND FULL FLOATING MAGNETIC DESIGN INSURES POSITIVE MAGNETIC ATTRACTION AT EVERY ADJUSTMENT
 - HEAVY-DUTY RUGGED CONSTRUCTION
 - REVERSIBLE FOR RIGHT OR LEFT HAND USE
 - CYLINDER AND NON-CYLINDER MODELS
 - POLISHED CHROME PLATED FINISHES
- MOUNTING HOLE LOCATIONS ARE INTERCHANGEABLE WITH COMPETITORS' LATCHES

EDGEMOUNT LATCHES - R24 SERIES

MODEL NO.	DESCRIPTION
R24-9175	STRAIGHT HANDLE - NO CYLINDER LOCK
R24-9175-C	STRAIGHT HANDLE - WITH CYLINDER LOCK
R24-9175-X	OFFSET HANDLE - NO CYLINDER LOCK
R24-9175-XC	OFFSET HANDLE - WITH CYLINDER LOCK

KEYS SHOWN ARE AVAILABLE SEPARATELY
USE MODEL NO. P30-0802

STRIKE ONLY - MODEL NO. R24-Y001

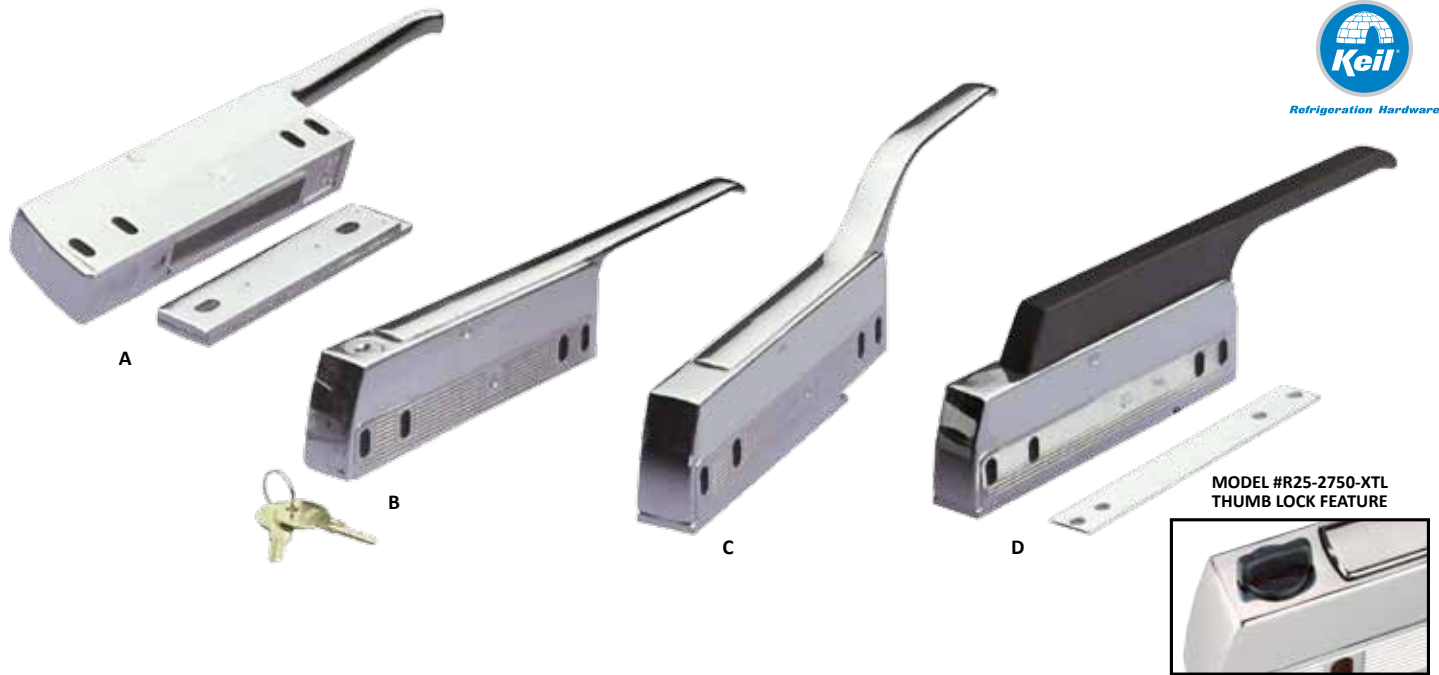


*REPLACES STANDARD-KEIL PART #2824 AND KASON #172
WITH KEIL QUALITY HARDWARE

Magnetic Edgemount Latches



Refrigeration Hardware



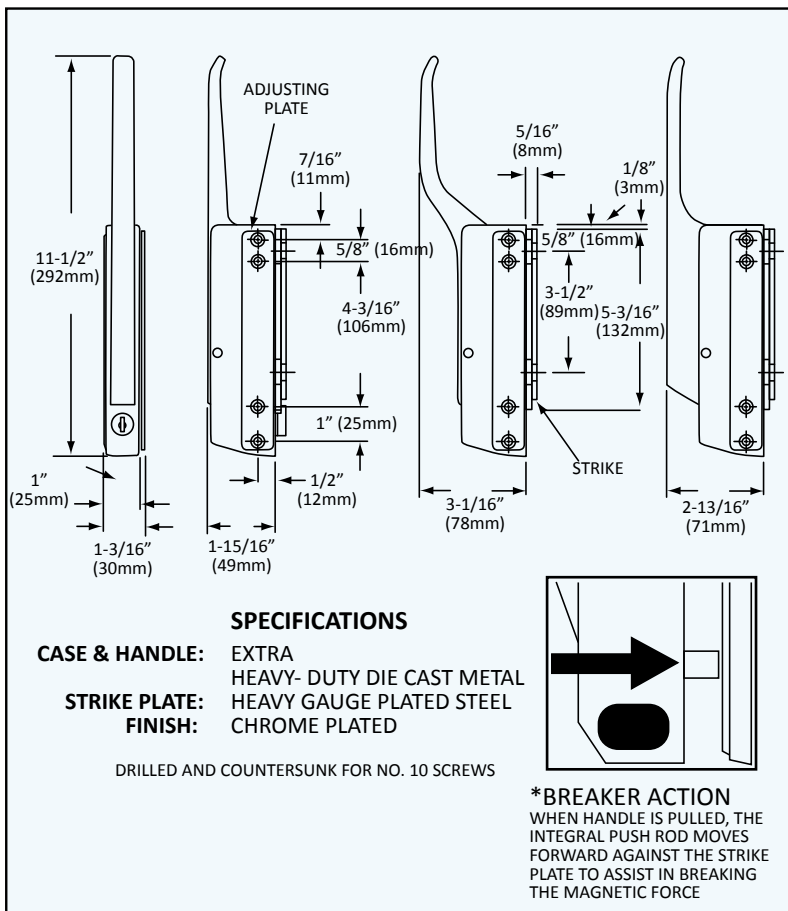
MODEL #R25-2750-XTL
THUMB LOCK FEATURE

HEAVY-DUTY MAGNETIC EDGEMOUNT LATCHES WITH BREAKER ACTION

- HEAVY-DUTY MAGNETIC ACTION PROVIDES POSITIVE AND EFFECTIVE SEAL AND ELIMINATES DOOR BOUNCE BACK
- UNIQUE BREAKER ACTION* ELIMINATES POWERFUL MAGNETIC SEAL WHILE ALLOWING EASY OPENING
- SERRATED STRIKER PLATE PERMITS QUICK ADJUSTMENT TO COMPENSATE FOR DOOR SAG
 - REVERSIBLE FOR RIGHT OR LEFT HAND USE
 - CYLINDER AND NON-CYLINDER MODELS
 - CHROME PLATED FINISH
 - EXTRA HEAVY-DUTY RUGGED CONSTRUCTION
- MOUNTING HOLE LOCATIONS ARE INTERCHANGEABLE WITH COMPETITORS' LATCHES

EDGEMOUNT LATCHES - R25 SERIES

REF.	MODEL	DESCRIPTION
A	R25-1700-NC	STRAIGHT HANDLE-NO CYLINDER LOCK
B	R25-1700-C	STRAIGHT HANDLE-WITH CYLINDER LOCK
C	R25-1700-XNC	OFFSET HANDLE-NO CYLINDER LOCK
	R25-1700-XC	OFFSET HANDLE -WITH CYLINDER LOCK *not shown
D	R25-2700-XNC	OFFSET HANDLE-BLACK PLASTIC NO CYLINDER LOCK
D	R25-2700-XC	OFFSET HANDLE-BLACK PLASTIC WITH CYLINDER LOCK *same as (D) with cylinder lock
D	R25-2750-XNC	OFFSET HANDLE-BLACK PLASTIC NO CYLINDER LOCK-WITH CERAMIC MAGNET *same as (D) but with ceramic magnet
D	R25-2750-XTL	OFFSET HANDLE-BLACK PLASTIC WITH THUMB LOCK WITH CERAMIC MAGNET *same as (D) but with thumb lock (see inset)



KEYS SHOWN ARE AVAILABLE SEPARATELY
USE MODEL NO. P30-0802

STRIKE ONLY - MODEL NO. R25-X002

CYLINDER LOCK - MODEL NO. R25-Y001

Ceramic Magnetic Compact Latch



Refrigeration Hardware



CERAMIC • MAGNETIC • COMPACT EDGEMOUNT LATCHES WITH BREAKER ACTION

SPECIFICALLY FOR HEATED CABINETS, OVENS AND REFRIGERATORS

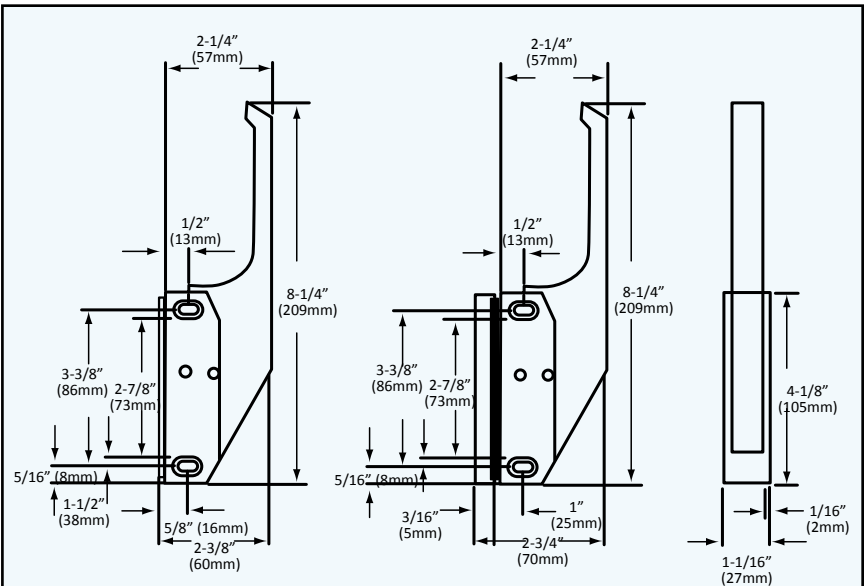
- COMPACT DESIGN FOR SPECIAL APPLICATIONS
 - HEAVY-DUTY INSULATED OFFSET HANDLE
 - BREAKER ACTION* FOR EASY DOOR OPENING
- POWERFUL HEAT RESISTANT CERAMIC MAGNET
- STAINLESS STEEL MECHANICAL PARTS AND PLATES
- SNAP-IN HOLE PLUGS FOR CONCEALED MOUNTING
- CONTEMPORARY STYLE - BLACK AND CHROME
 - REVERSIBLE APPLICATION

MODEL NO. R27-1010-X

EACH R27-1010-X EDGEMOUNT LATCH IS SUPPLIED WITH STRIKE ASSEMBLIES for BOTH HEATED AND REFRIGERATED APPLICATIONS

- STAINLESS STEEL STRIKE PLATE
 - STAINLESS STEEL SPACER
- DIE CAST ZINC STRIKE HOUSING*
 - SILICONE GASKET

* FOR REFRIGERATED APPLICATION ONLY



LATCH SHOWN WITH SUGGESTED STRIKE HOUSING FOR HEATED APPLICATION

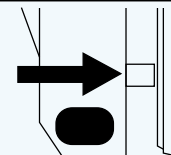
LATCH SHOWN WITH SUGGESTED STRIKE HOUSING FOR REFRIGERATED APPLICATION

SPECIFICATIONS:

- CASE:** EXTRA HEAVY- DUTY DIE CAST METAL
- FINISH:** CHROME PLATED
- HANDLE:** FIBERGLASS REINFORCED THERMOPLASTIC
- STRIKE:** STAINLESS STEEL
- STRIKE HOUSING:** DIE CAST ZINC
- INTERNAL COMPONENTS:** STAINLESS STEEL

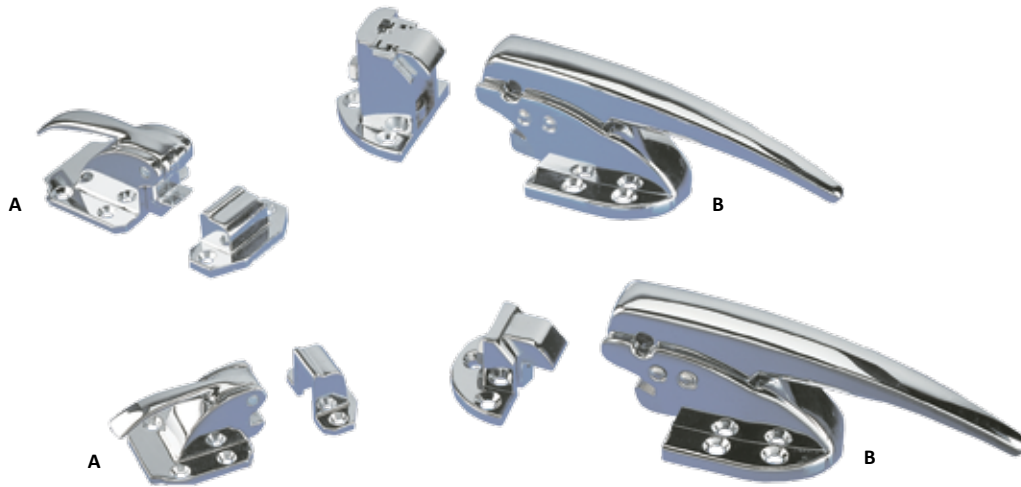
NOTE: MOUNTING HOLES FOR #10 SCREW

***BREAKER ACTION**
WHEN HANDLE IS PULLED, THE INTEGRAL PUSH ROD MOVES FORWARD AGAINST THE STRIKE PLATE TO ASSIST IN BREAKING THE MAGNETIC FORCE.

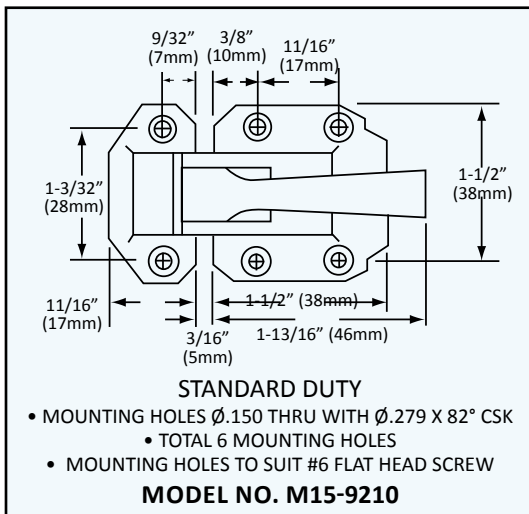




Refrigeration Hardware



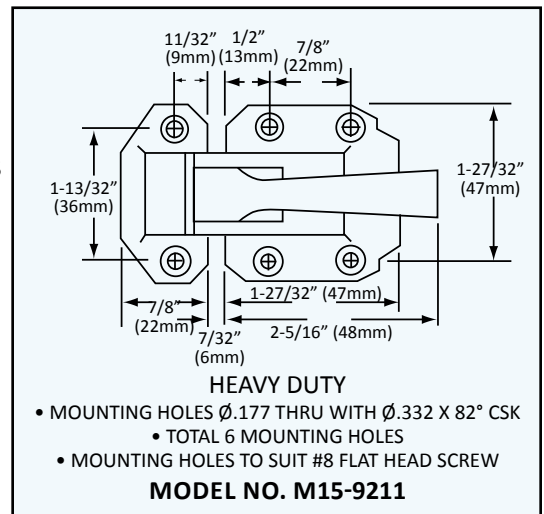
SURFACE MOUNT and CABINET LATCHES



REF. A

CABINET LATCHES

- PROVIDED WITH FLUSH, $1/8"$ (3mm) AND $3/8"$ (10mm) KEEPERS
- CHROME PLATED DIE CAST ZAMAK



REF. B

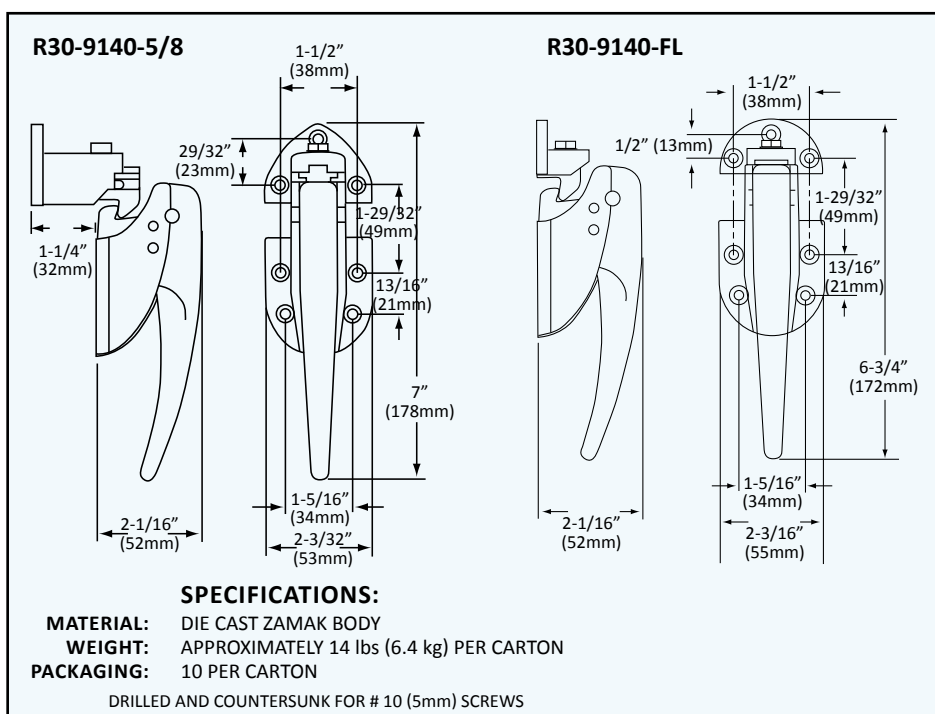
SURFACE MOUNT LATCHES

- POSITIVE SNAP-ACTION LATCH IS IDEAL FOR MOBILE CARTS AND REFRIGERATED CABINETS
 - CHROME PLATED SNAP-ACTION LATCH PROVIDED WITH SOLID BRASS TRIGGER MECHANISM AND POWERFUL SPRING
- ADJUSTABLE FLUSH STRIKE OR ADJUSTABLE VARIABLE OFFSET MODELS TO CHOOSE FROM
- CHROME PLATED, HEAVY-DUTY PRESSURE DIE CAST HANDLES AND BODY WITHSTAND SEVERE COMMERCIAL USE
- REVERSIBLE FOR RIGHT OR LEFT HAND USE, DESIGNED TO ACCEPT SECURITY PADLOCKS

R30 SERIES SURFACE MOUNT LATCHES

MODEL NO.	OFFSET
R30-9140-FL	0-3/8" OFFSET (0-9.5mm)
R30-9140-5/8	5/8" - 1-1/4" OFFSET (16mm-32mm)

- MOUNTING HOLES $\varnothing.230$ THRU WITH $\varnothing.352$ X 82° CSK
 - TOTAL 7 MOUNTING HOLES
- MOUNTING HOLES TO SUIT #10 FLAT HEAD SCREW

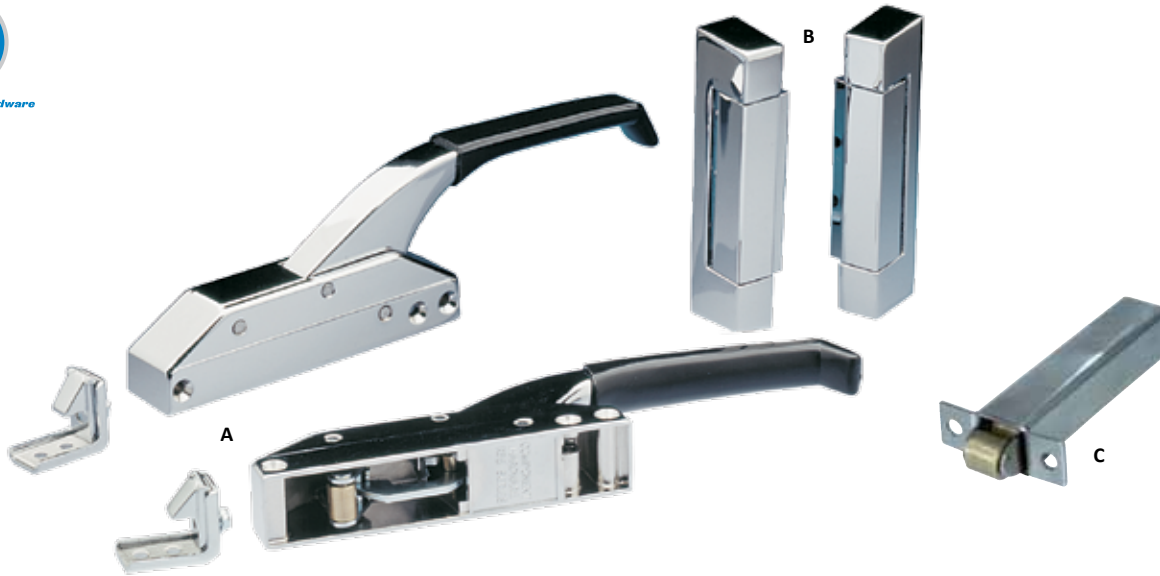


*REPLACES KASON #930 AND STANDARD-KEIL #9140 OR #2818 SERIES WITH KEIL QUALITY HARDWARE

Oven Latches & Hinges



Refrigeration Hardware

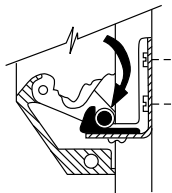


REF. A

SINGLE ACTION EDGEMOUNT OVEN LATCHES

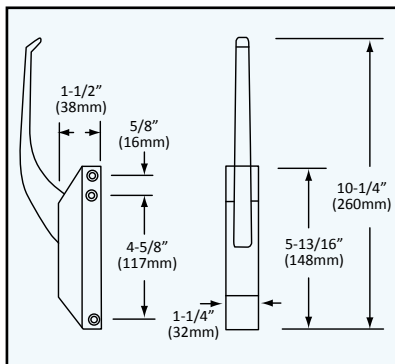
SINGLE ACTION DESIGN FOR OVEN USE.
FURNISHED WITH HEAT RESISTANT BRONZE
ROLLER AND INSULATED HANDLE.

MODEL NO. R35-3105-X



SINGLE ACTION

FEATURES POSITIVE PRESSURE SEAL.



CASE & HANDLE:
STRIKE PLATE:
FINISH:

SPECIFICATIONS:

DIE CAST METAL
PLATED STEEL
CHROME PLATE
DRILLED AND
COUNTERSUNK
FOR NO. 10 SCREWS

REF. B

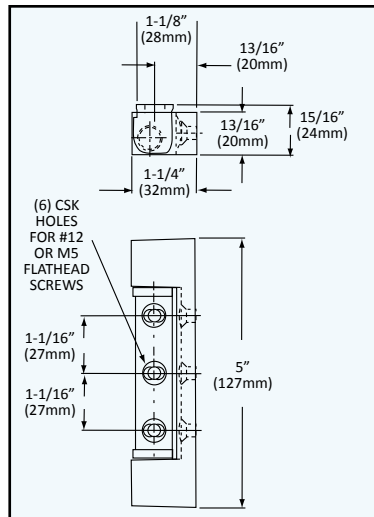
NON-RISE / ADJUSTABLE HIGH TEMP HINGE FOR HEATED CABINETS & COMMERCIAL OVENS

MODEL NO. R42-2843*

- RATED TO 500°F (260°C) • NON- HANDED
- SOLID BRASS FORGED CONSTRUCTION SPECIFICALLY
DESIGNED FOR HIGH TEMPERATURE USE ON
CABINETY AND OVENS WHERE SURFACE
TEMPERATURE IS A CONCERN
- MOUNTING HOLE LOCATIONS ARE
INTERCHANGEABLE WITH COMPETITORS' HINGES
- NON-RISE FUNCTION ALLOWS FOR EASY DOOR
SWING WITHOUT CONCERN FOR DOOR RISE
- SERRATED ADJUSTING PLATE ALLOWS FOR
QUICK AND EASY DOOR ADJUSTMENT TO
COMPENSATE FOR DOOR SAG
- CHROME PLATED CONTEMPORARY STYLING

1-1/8" (28mm) OFFSET

*OPTIONAL POWER SPRING CONVERSION KIT
MODEL NO. R42-2800 AVAILABLE - SEE PG E12



ADJUSTMENT PLATE PERMITS 3/16" (5mm)
ADJUSTMENT DRILLED AND COUNTERSUNK
FOR NO.10 SCREWS

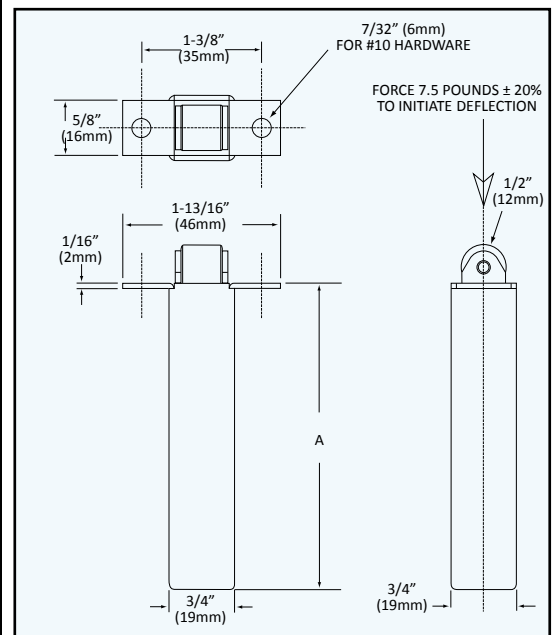
REF. C

LATCH ASSEMBLY

MODEL NO. M23-5000

- SPRING LOADED TO POSITIVELY HOLD DOOR CLOSED
- LIQUID TIGHT-WELDED CONSTRUCTION
- LIFE CYCLE TESTED FOR OVER 50,000 CYCLES
- LONG LIFE BRASS ALLOY ROLLERS
- STABLE TWO ROLLER DESIGN
- NON MAGNET-POSITIVE MECHANICAL
- STAINLESS STEEL HOUSING
- PRE-SET TENSION-NO ADJUSTMENT REQUIRED
- CAN BE MOUNTED IN DOOR FRAME OR DOOR
IN ANY ORIENTATION
- CONTINUOUS OPERATING TEMPERATURE: 400°F
- MAX TEMPERATURE: 600°F

REF.	MODEL NO.	DIM. "A"
C	M23-5000	3-1/2" (89mm)





NON-RISE EDGEMOUNT HINGE

IDEAL FOR REACH-IN REFRIGERATORS & ICE BINS

- CONTEMPORARY SLEEK STYLING • HEAVY-DUTY DIE CAST ZAMAK CONSTRUCTION
- POLISHED CHROME FINISH • AVAILABLE IN THREE POPULAR OFFSETS
 - NON-HANDED FOR LEFT AND RIGHT HAND OPERATION
 - UNIQUE ADJUSTING PLATE PROVIDES EASY ADJUSTMENT TO COMPENSATE FOR GASKET COMPRESSION
- SPRING ASSISTED MODELS AVAILABLE FOR ADDED CLOSING FORCE



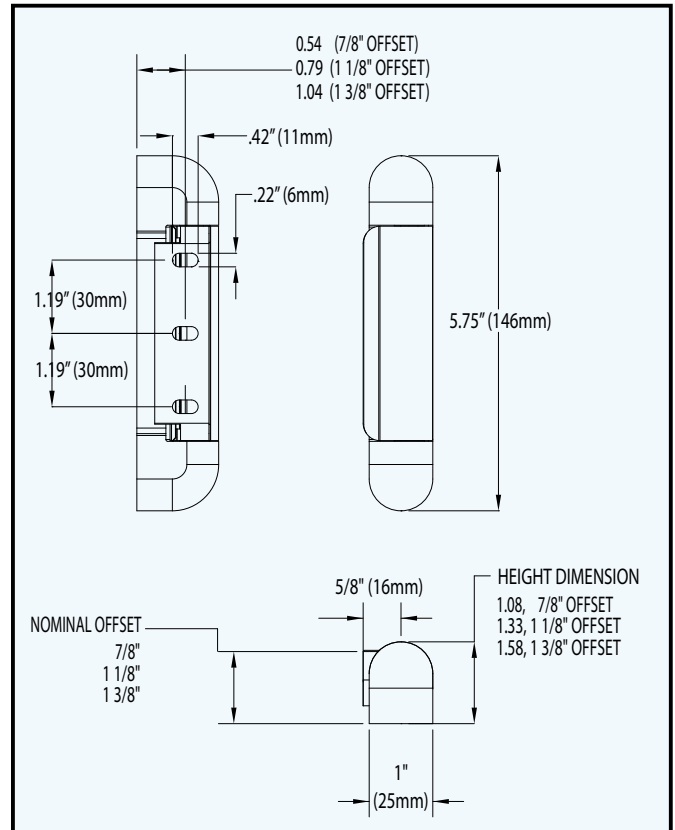
R42-287x
R42-289x

WITH POWER SPRING
CONVERSION KIT



R42-288x

WITH ADJUSTABLE
SPRING CARTRIDGE



MODEL NO.	DESCRIPTION
R42-2871	EDGEMOUNT HINGE, CP, 7/8" OFFSET
R42-2872	EDGEMOUNT HINGE, CP, 1-1/8" OFFSET
R42-2873	EDGEMOUNT HINGE, CP, 1-3/8" OFFSET
R42-2880	SPRING CARTRIDGE ASSY FOR R42-288X SERIES HINGES
R42-2881	EDGEMOUNT ADJUSTABLE SPRING HINGE, CP, 7/8" OFFSET
R42-2882	EDGEMOUNT ADJUSTABLE SPRING HINGE, CP, 1-1/8" OFFSET
R42-2883	EDGEMOUNT ADJUSTABLE SPRING HINGE, CP, 1-3/8" OFFSET
R42-2890-C	SPRING KIT FOR 289X SERIES HINGES
R42-2890-K*	SPRING KIT FOR K220 SERIES HINGES
R42-2891	EDGEMOUNT SPRING HINGE, CP, 7/8" OFFSET
R42-2892	EDGEMOUNT SPRING HINGE, CP, 1-1/8" OFFSET
R42-2893	EDGEMOUNT SPRING HINGE, CP, 1-3/8" OFFSET

*REPLACES KASON #217, 218 AND 220 WITH KEIL QUALITY HARDWARE

SPRING CONVERSION KITS AVAILABLE



Model No.
R42-2890-C
Conversion Kit
for Keil Hinges
R42-289X

Model No.
R42-2890-K*

Non-Rise Edgemount Hinges



Refrigeration Hardware



R42-2841
1-1/8" (28mm) OFFSET



R42-2842
FOR REFRIGERATION
APPLICATION
CHROME PLATED
1-1/8" (28mm) OFFSET



R42-2842-BR
FOR REFRIGERATION
APPLICATION
BRASS PLATED
1-1/8" (28mm) OFFSET

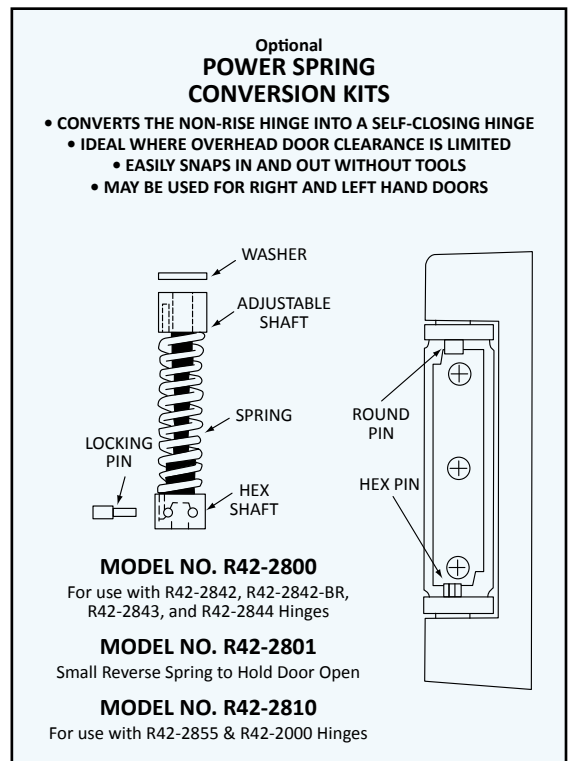
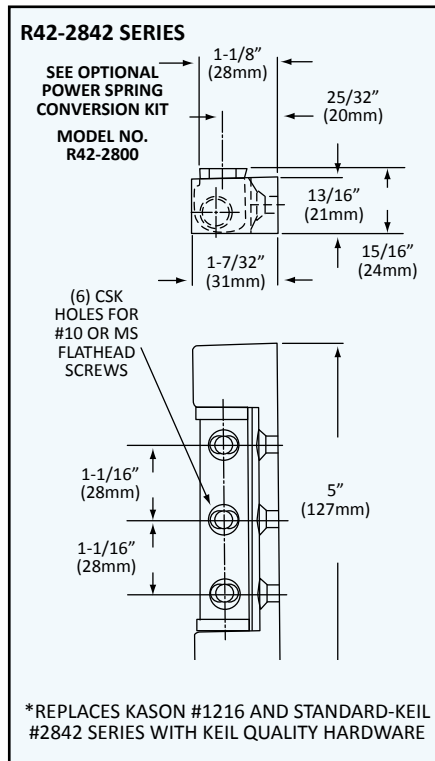
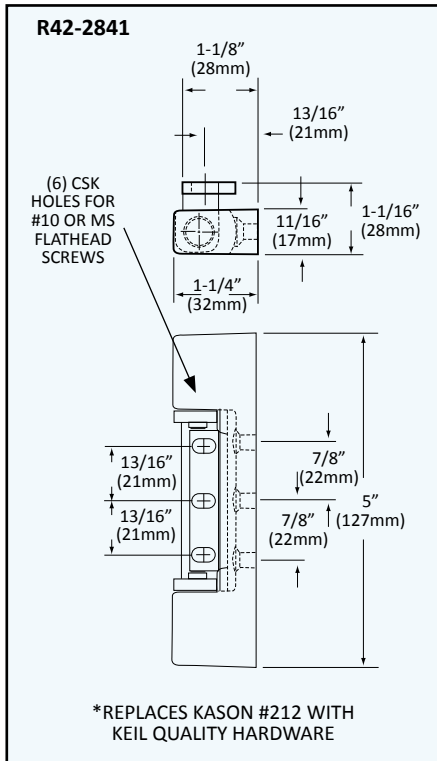


R42-2842-BB
FOR REFRIGERATION
APPLICATION
CHROME PLATED
1-1/8" (28mm) OFFSET
WITH BRASS BUSHINGS

NON-RISE / ADJUSTABLE REFRIGERATION EDMOUNT HINGES

IDEAL FOR...REACH-IN REFRIGERATORS AND UNDERBAR EQUIPMENT

- NON-RISE FUNCTION ALLOWS FOR EASY DOOR SWING WITHOUT CONCERN FOR DOOR RISE
 - SERRATED ADJUSTING PLATE ALLOWS FOR QUICK AND EASY DOOR ADJUSTMENT TO COMPENSATE FOR DOOR SAG
- UNIVERSAL MOUNTING BRACKETS ALLOW FOR EITHER RIGHT OR LEFT HAND OPERATION
 - MOUNTING HOLE LOCATIONS ARE INTERCHANGEABLE WITH COMPETITORS' HINGES
 - ACCEPTS POWER SPRING CONVERSION KIT
- CHROME PLATED OR BRASS PLATED CONTEMPORARY STYLING
 - SOLID ZINC DIE CAST CONSTRUCTION





Refrigeration Hardware



R42-2844
1-5/8" (41mm) OFFSET



R42-2000
1-3/8" (35mm) OFFSET

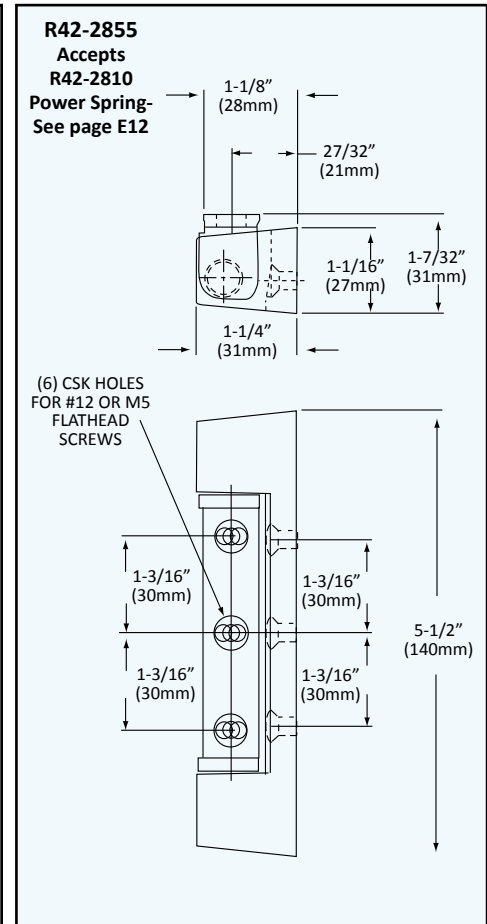
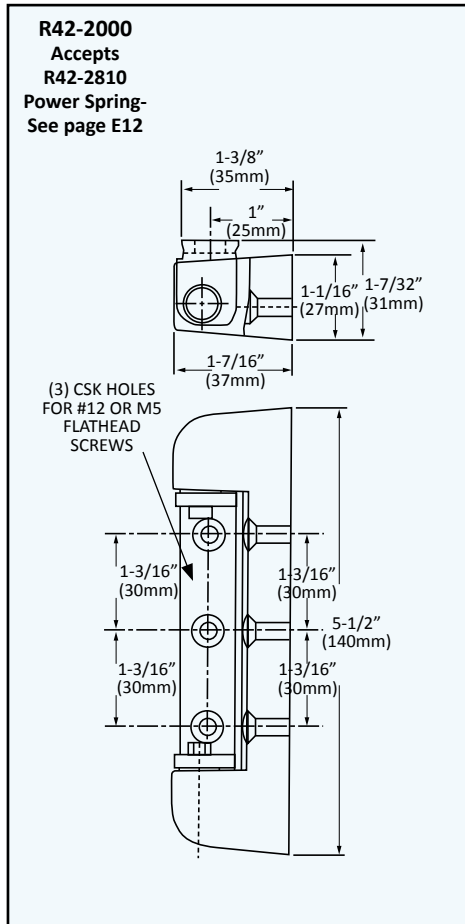
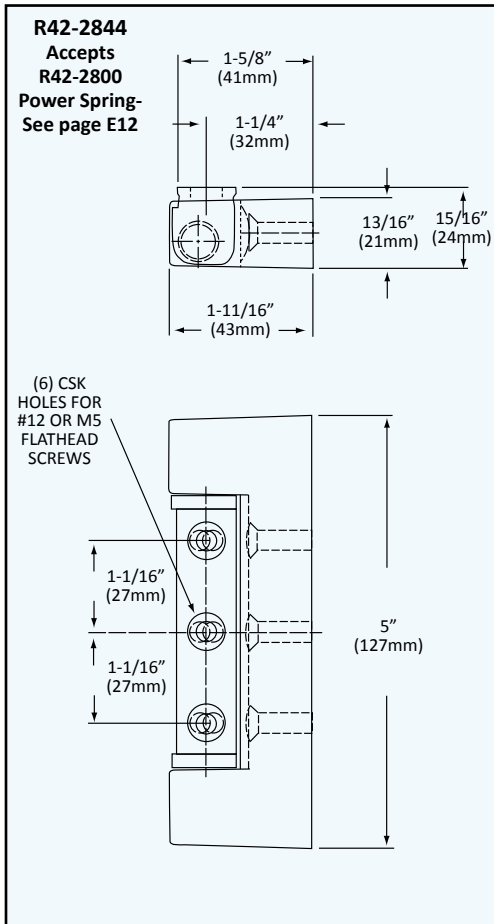


R42-2855
1-1/8" (28mm) OFFSET

NON-RISE / ADJUSTABLE HEAVY-DUTY EDGEMOUNT HINGES

DESIGNED FOR REACH-IN REFRIGERATORS AND UNDERBAR EQUIPMENT

- HEAVY-DUTY CONTEMPORARY STYLE LARGER NON-RISE HINGE ENGINEERED FOR USE ON HEAVIER DOORS
- UNIQUE ADJUSTING PLATE PROVIDES EASY VERTICAL AND HORIZONTAL MOUNTING ADJUSTMENT
- ACCEPTS POWER SPRING CONVERSION KIT • SOLID ZINC DIE CAST CONSTRUCTION
- NON-HANDED FOR RIGHT OR LEFT HAND APPLICATION
- CHROME PLATED FINISH • BRONZE BUSHINGS



Standard-Duty Non-Rise Edgemount Hinges



Refrigeration Hardware



R20 SERIES
7/8" (22mm) and 1-3/16" (30mm) OFFSET



R40-1010
1-1/4" (32mm) OFFSET

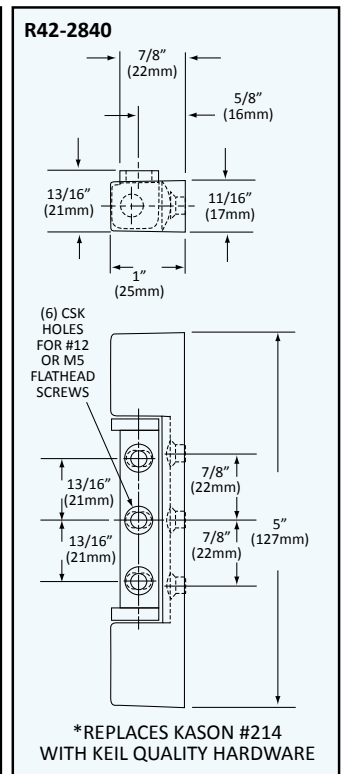
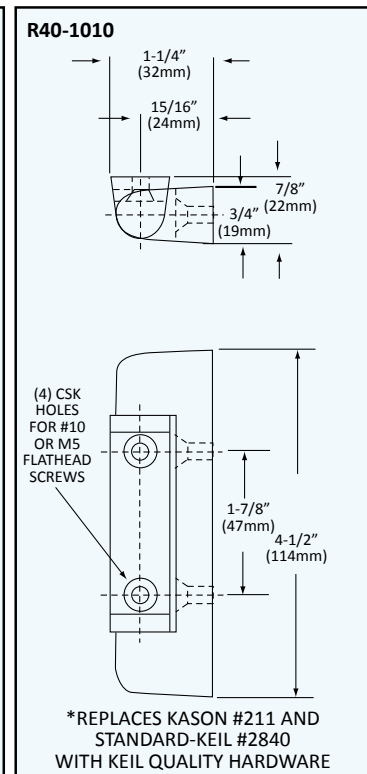
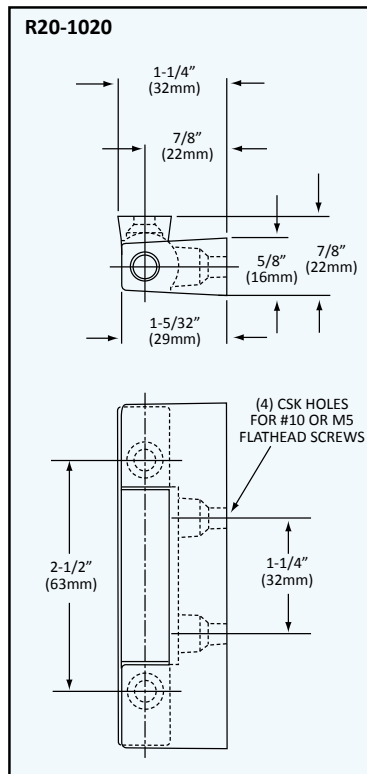
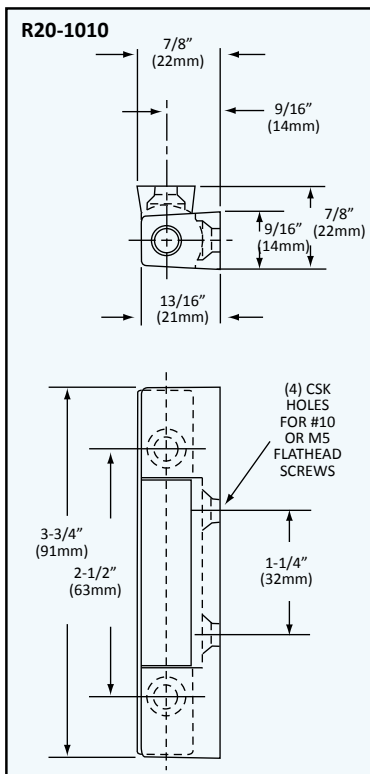


R42-2840
7/8" (22mm) OFFSET

SLIM-LINE / STANDARD-DUTY EDGEMOUNT HINGES

IDEAL FOR UNDERBAR EQUIPMENT, STANDARD REACH-IN REFRIGERATORS AND FREEZERS

- EASY TO MOUNT
- HIGH PRESSURE DIE CAST ZAMAK
- POLISHED CHROME PLATED FINISH
- NON-RISE FUNCTION ALLOWS FOR QUICK AND EASY DOOR ADJUSTMENT TO COMPENSATE FOR DOOR SAG
- CELCON SELF-LUBRICATING BUSHINGS PROVIDE SMOOTH, QUIET ACTION
- NON-HANDED FOR RIGHT AND LEFT HAND OPERATION
- CONTEMPORARY STYLING





R45-1010
1-3/16" (30mm) OFFSET



R50-2850-SPO
1-3/8" (35mm) OFFSET



R50-2850-BLK
1-5/8" (41mm) OFFSET



R50-2850-SS
1-5/8" (41mm) OFFSET



R50-2850
1-5/8" (41mm) OFFSET

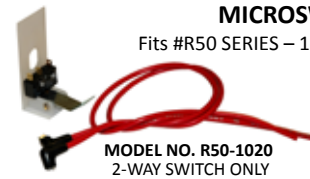
LIFT-OFF / SELF CLOSING EDGEMOUNT HINGES

IDEAL FOR REACH-IN REFRIGERATORS AND DOORS
EQUIPPED WITH MAGNETIC GASKETING

- CONTEMPORARY STYLING
 - POLISHED CHROME PLATED FINISH* • HIGH PRESSURE DIE CAST ZAMAK*
 - HOLD OPEN POSITION - CAM ALLOWS DOOR TO REMAIN IN HOLD OPEN POSITION AND REMAIN OPEN AT 90°
 - NON-HANDED - FOR RIGHT AND LEFT HAND OPERATION
 - ADJUSTABLE - TO COMPENSATE FOR GASKET WEAR
 - POLISHED CHROME OR BLACK POWDER COATED FINISH*
 - OVERCLOSE FEATURE...PROVIDES CONSTANT DOOR PRESSURE AND FULL GASKET SEAL
- *R50-2850-SS IS SATIN FINISH STAINLESS STEEL

MICROSWITCH

Fits #R50 SERIES – 1-5/8" Hinges Only



MODEL NO. R50-1020
2-WAY SWITCH ONLY



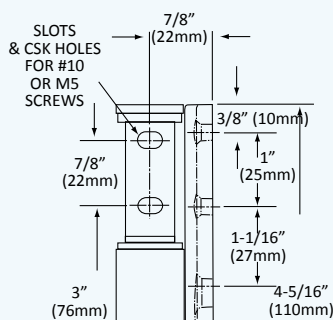
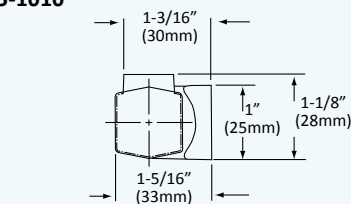
MODEL NO. R50-1030
3-WAY SWITCH ONLY

**R50-2850 HINGE
COMPLETE WITH
MICROSWITCH**

MODEL NO. R50-2820
WITH 2-WAY SWITCH
1-5/8" (41mm) OFFSET

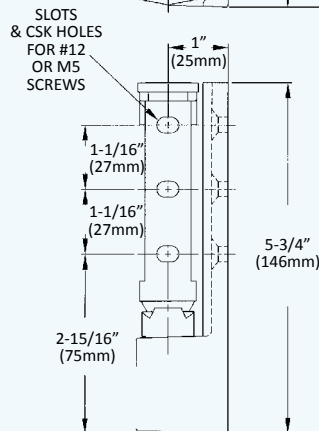
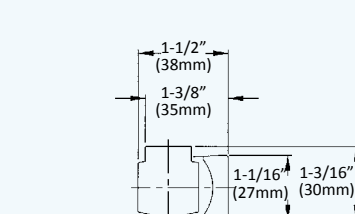
MODEL NO. R50-2830
WITH 3-WAY SWITCH
1-5/8" (41mm) OFFSET

R45-1010*



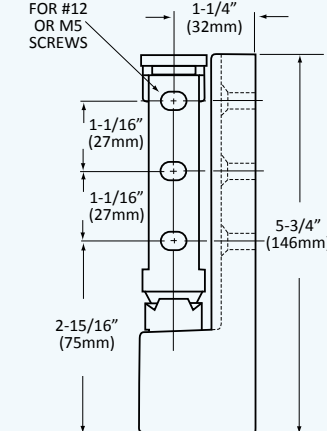
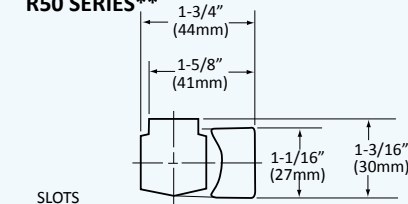
*REPLACES KASON #215
WITH KEIL QUALITY HARDWARE

R50-2850-SPO**



**REPLACES STANDARD-KEIL #2850
WITH KEIL QUALITY HARDWARE

R50 SERIES**



**REPLACES KASON #1267 AND STANDARD-KEIL
#2850 WITH KEIL QUALITY HARDWARE

Also available...
**NON
LIFT-OFF
MODEL**

Prevents accidental door removal when doors are left in open position. The retaining component is easily disengaged for door removal. All other hinge features are maintained.

**MODEL NO.
R50-2850-NL**
1-5/8" (41mm)

**OFFSET
EDGEMOUNT
HINGE
NON LIFT-OFF
SPRING ASSISTED
MODEL NO.
R50-2851**
1-1/58" (41mm)
OFFSET

* R45-1010 HINGES ARE FURNISHED WITH AN ADJUSTING PLATE FOR UP TO 3/16" (5mm) ADJUSTMENT. DRILLED AND COUNTERSUNK FOR #10 SCREWS.

** R50 SERIES HINGES ARE FURNISHED WITH AN ADJUSTING PLATE FOR UP TO 3/16" (5mm) ADJUSTMENT. DRILLED AND COUNTERSUNK FOR #12 SCREWS.

Hinge Selector Guide & Chart

KEIL® HINGE SELECTOR GUIDE

This hinge selector is designed to assist you in choosing the correct Keil hinges for commercial reach-in and walk-in refrigeration, foodservice equipment, transportation, industrial and other applications. The Load Chart below shows our recommended allowable load per pair of hinges for each hinge group.

The data supplied in this chart applies for normal operating conditions under static loading by door weight only. Other factors, such as positive or negative pressure, high gasket compression, lateral stress, corrosive or abrasive environments, or structural movement are not taken into account. It is the ultimate responsibility of the user to determine the suitability and capacity required for their specific application.

1. Locate the weight of your door in the far left column, headed DOOR WEIGHT.
2. Find the width of your door along the bottom of the chart.
3. Where the weight line and width column intersect, find the recommended hinge group code (A, B, etc.)
4. Select your hinges from the Keil® hinge groups below.

NOTE: If exact dimensions and weight for your door is not shown, use the next higher width and weight.

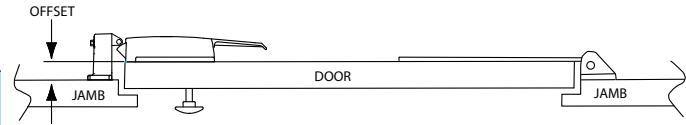
Hinge Groups A-C Shown in REACH-IN, Section E
Hinge Groups D-J Shown in WALK-IN, Section EE

KEIL® HINGE GROUPS

GROUP	HINGE MODEL NUMBERS
A	R20-1010, R20-1020, R45-1010, R40-1010, R42-2840, R42-2841, R42-2842, R42-2843, R42-2842-BR
B	R42-2000, R42-2855, R56 SERIES
C	R50-2850, R50-2850-SPO, R50-2850-BLK, R50-2850-SS, R50-2850-NL, R50-2850-BA
D	W58, W59, W60, W61 SERIES, W99-6015-SS, W99-4100-SSRH, W99-4100-SSLH, W55-1000, W56-1000
E	N/A
F	W99-2001, W99-2001-GE, W99-2063, W99-2063-G6, W77-1625
G	N/A
H	N/A
J	N/A

HOW TO DETERMINE OFFSET FOR HINGES AND LATCHES

With door closed, measure the distance from the jamb to the door face.



DOOR WEIGHTS		LOAD CHART																				
kg.	lb.																					
226.8	500	D	D	E	F	F	F	G	G	G	G	H	H	H	H	H	H	H	J	J	J	J
217.7	480	D	D	E	F	F	F	G	G	G	G	H	H	H	H	H	H	H	J	J	J	J
208.6	460	D	D	E	E	F	F	F	G	G	G	G	H	H	H	H	H	H	H	J	J	J
199.5	440	D	D	D	E	F	F	F	G	G	G	G	G	H	H	H	H	H	H	H	J	J
190.5	420	D	D	D	E	F	F	F	F	G	G	G	G	H	H	H	H	H	H	H	H	J
181.4	400	D	D	D	E	E	F	F	F	G	G	G	G	H	H	H	H	H	H	H	H	H
172.4	380	D	D	D	D	E	F	F	F	F	G	G	G	G	H	H	H	H	H	H	H	H
163.3	360	D	D	D	D	E	E	F	F	F	G	G	G	G	G	G	H	H	H	H	H	H
154.2	340	D	D	D	D	E	E	F	F	F	F	G	G	G	G	G	G	H	H	H	H	H
145.2	320	C	D	D	D	D	E	E	F	F	F	F	G	G	G	G	G	G	H	H	H	H
136.1	300	C	D	D	D	D	D	E	E	F	F	F	F	F	G	G	G	G	G	G	G	H
127.0	280	C	D	D	D	D	D	E	E	F	F	F	F	F	G	G	G	G	G	G	G	H
117.9	260	C	C	D	D	D	D	D	E	E	F	F	F	F	F	G	G	G	G	G	G	G
108.9	240	C	C	D	D	D	D	D	D	E	E	F	F	F	F	F	F	G	G	G	G	G
99.8	220	C	C	C	D	D	D	D	D	D	E	E	E	F	F	F	F	F	F	G	G	G
90.7	200	B	C	C	D	D	D	D	D	D	D	E	E	E	F	F	F	F	F	F	F	G
81.7	180	B	C	C	C	D	D	D	D	D	D	D	E	E	E	E	F	F	F	F	F	F
72.6	160	B	B	C	C	C	D	D	D	D	D	D	D	D	E	E	E	E	F	F	F	F
63.5	140	B	B	C	C	C	C	D	D	D	D	D	D	D	D	D	D	E	E	E	E	F
54.4	120	B	B	B	C	C	C	C	C	D	D	D	D	D	D	D	D	D	D	D	E	E
45.4	100	A	B	B	B	B	C	C	C	C	C	D	D	D	D	D	D	D	D	D	D	D
36.3	80	A	A	B	B	B	B	B	C	C	C	C	C	C	D	D	D	D	D	D	D	D
27.2	60	A	A	A	A	B	B	B	B	B	B	C	C	C	C	C	C	C	C	C	D	D
18.1	40	A	A	A	A	A	A	A	A	B	B	B	B	B	B	B	B	B	C	C	C	C
9.0	20	A	A	A	A	A	A	A	A	A	A	A	A	A	A	A	A	A	A	A	A	B
DOOR WIDTH	in.	12	15	18	21	24	27	30	33	36	39	42	45	48	51	54	57	60	63	66	69	72
	cm.	30.5	38.1	45.7	53.3	61.0	68.6	76.2	83.8	91.4	99.1	106.7	114.3	121.9	129.5	137.2	144.8	152.4	160.0	167.6	175.3	182.9



R40-1010 SERIES

REF.	MODEL NO.	DESCRIPTION
A	R40-X002	COVER
B	R40-X003	AJUSTMENT PLATE



R42-2840 SERIES

REF.	MODEL NO.	DESCRIPTION
A	R42-X038	COVER



R42-2842/43/44 SERIES

REF.	MODEL NO.	DESCRIPTION
A	R42-X003	ADJUSTMENT PLATE
B	R42-X004	COVER
C	R42-X008	ADJUSTMENT PLATE, BRASS



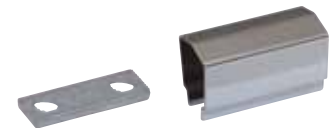
R42-2855 SERIES

REF.	MODEL NO.	DESCRIPTION
A	R42-X020	COVER
B	R42-X021	ADJUSTMENT PLATE



R42-2870/80/90 SERIES

REF.	MODEL NO.	DESCRIPTION
A	R42-X103	COVER



R45-1010 SERIES

REF.	MODEL NO.	DESCRIPTION
A	R45-X003	AJUSTMENT PLATE
B	R45-X004	COVER



R50 SERIES

REF.	MODEL NO.	DESCRIPTION
A	R50-X003	COVER
B	R50-X004	CAM, OLD STYLE
C	R50-X004-A	CAM, NEW STYLE
D	R50-X004-C	CAM, NEW STYLE, NO SWITCH HOLES
E	R50-X005	ADJUSTMENT PLATE



R50-SS SERIES

REF.	MODEL NO.	DESCRIPTION
A	R50-X003-SS	COVER, S/S
B	R50-X004-SS	CAM, OLD STYLE, GLASS FILLED
C	R50-X004-SSA	CAM, NEW STYLE, GLASS FILLED
D	R50-X005-SS	ADJUSTMENT PLATE, S/S

Concealed Cartridge Hinges



Refrigeration Hardware



SHOWN WITH
OPTIONAL BRACKET
MODEL NO. R56-6010

SHOWN WITH
OPTIONAL BRACKET
MODEL NO. R56-5010

PHOTOGRAPH SHOWS TOP MOUNTED CARTRIDGE ASSEMBLY.
WHERE SPACE REQUIRES, CARTRIDGE MAY BE BOTTOM MOUNTED.

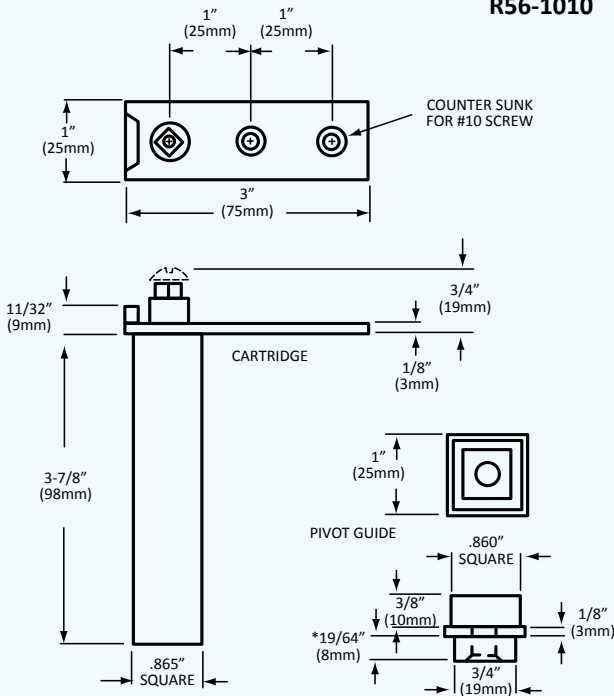
R56 SERIES CONCEALED POWER CARTRIDGE HINGE

- **HOLD OPEN DWELL** ALLOWS DOOR TO REMAIN OPEN AT 90° FOR EASE OF PRODUCT STOCKING
- **CUSHIONED STOP** IS EMPLOYED AT 115° TO ABSORB SHOCK, ELIMINATING DAMAGE TO FRAME, DOOR AND ADJACENT EQUIPMENT
- **SELF-CLOSING** NON-RISE SPRING ACTUATED CAM
 - **OVERCLOSE DESIGN** ASSURES CONSTANT DOOR PRESSURE FOR FULL GASKET SEAL
- **SELF-LUBRICATING** DISSIMILAR CAM MATERIALS ASSURE SMOOTH OPERATION WITHOUT SUPPLEMENTARY LUBRICATION
 - **SILENT & SMOOTH OPERATION**
- **REVERSIBLE APPLICATION** CARTRIDGE ASSEMBLY CAN BE USED FOR LEFT OR RIGHT HAND DOORS

SPECIFICATIONS:

- CASE:** DIE CAST ZAMAK
FINISH: CHROME PLATED OR OPTIONAL BLACK EPOXY POWDER COATED FINISH AVAILABLE
UPPER CAM: DIE CAST ZAMAK
LOWER CAM: NYLON
SPRING: COMPRESSION TYPE, SILICON WIRE
PIVOT GUIDE: NYLON

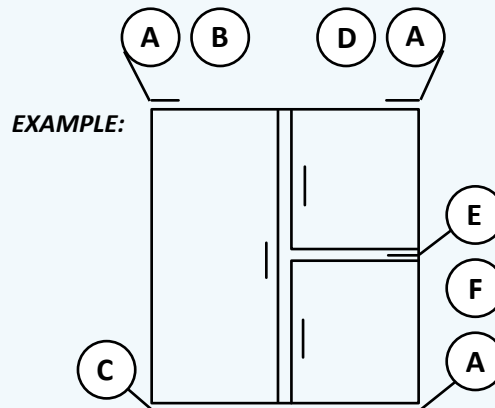
MODEL NO. R56-1010



POWER CARTRIDGE ASSEMBLY

NOTE: Standard power cartridges are designed for doors weighing less than 60 lbs Heavy-duty models for doors over 60 lbs are available upon application.

*ALTERNATE CLEARANCE DIMENSION AVAILABLE



**SINGLE DOOR - LEFT HAND
HALF DOORS - RIGHT HAND**

ASSEMBLY WITH HORIZONTAL BRACKETS

- | | | |
|-------|----------|-----------------------------------|
| A (3) | R56-1010 | Cartridge Assemblies |
| B (1) | R56-5011 | Cartridge Bracket L.H. Horizontal |
| C (1) | R56-7011 | Pivot Bracket L.H. Horizontal |
| D (1) | R56-5010 | Cartridge Bracket R.H. Horizontal |
| E (1) | R56-7040 | Double Bracket R.H. Horizontal |
| F (1) | R56-5017 | Cartridge Bracket L.H. Horizontal |

CONCEALED PIVOT BRACKETS

MATERIAL HARDENED STEEL, CHROME PLATED
 OPTIONAL: BLACK EPOXY POWDER COATED FINISH



- VERTICAL AND HORIZONTAL BRACKETS ACCOMMODATE VARIOUS CONSTRUCTION REQUIREMENTS
 - BOTH ASSEMBLIES PROVIDE PERFECT OPERATION USING A PIVOT DISTANCE OF 1-5/16" (33mm)
- CARTRIDGE AND PIVOT GUIDE INSTALLATION IS SIMPLE, REQUIRING A 7/8" (22mm) SQUARE OPENING IN BOTH TOP AND BOTTOM OF DOOR
- BRACKETS AND CARTRIDGES MUST BE ORDERED SEPARATELY. TO ASSIST IN SELECTING THE PROPER COMPONENTS A TYPICAL APPLICATION EXAMPLE IS ILLUSTRATED ON THE FACING PAGE

HORIZONTAL CARTRIDGE BRACKETS

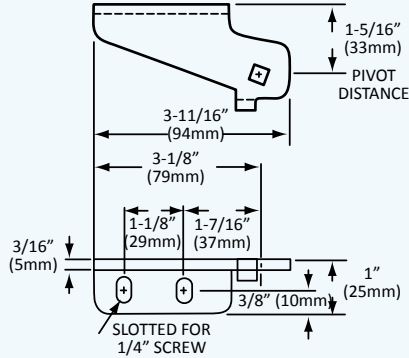
WITH VERTICAL MOUNTING HOLES



MODEL NO. R56-5010
 RIGHT HAND (AS ILLUSTRATED)



MODEL NO. R56-5011
 LEFT HAND (OPPOSITE)



HORIZONTAL CARTRIDGE BRACKETS

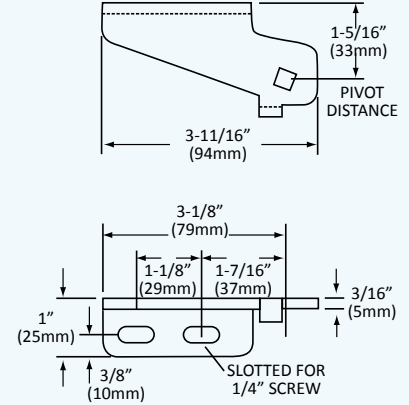
WITH HORIZONTAL MOUNTING HOLES



MODEL NO. R56-5016
 RIGHT HAND (AS ILLUSTRATED)



MODEL NO. R56-5017
 LEFT HAND (OPPOSITE)



VERTICAL CARTRIDGE BRACKETS

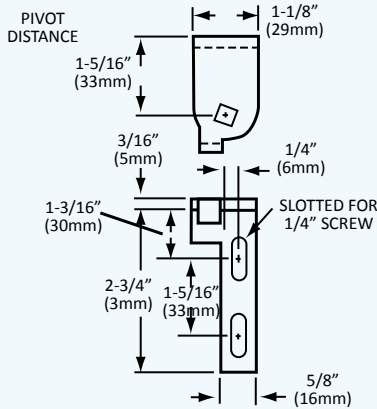
WITH VERTICAL MOUNTING HOLES



MODEL NO. R56-6010
 RIGHT HAND (AS ILLUSTRATED)



MODEL NO. R56-6011
 LEFT HAND (OPPOSITE)



Concealed Pivot Brackets



CONCEALED PIVOT BRACKETS

MATERIAL HARDENED STEEL, CHROME PLATED
 OPTIONAL: BLACK EPOXY POWDER COATED FINISH

- VERTICAL AND HORIZONTAL BRACKETS ACCOMMODATE VARIOUS CONSTRUCTION REQUIREMENTS
 - BOTH ASSEMBLIES PROVIDE PERFECT OPERATION USING A PIVOT DISTANCE OF 1-15/16" (33mm)
- CARTRIDGE AND PIVOT GUIDE INSTALLATION IS SIMPLE, REQUIRING A 7/8" (22mm) SQUARE OPENING IN BOTH TOP AND BOTTOM OF DOOR
- BRACKETS AND CARTRIDGES MUST BE ORDERED SEPARATELY. TO ASSIST IN SELECTING THE PROPER COMPONENTS A TYPICAL APPLICATION EXAMPLE IS ILLUSTRATED ON THE FACING PAGE

HORIZONTAL PIVOT BRACKETS

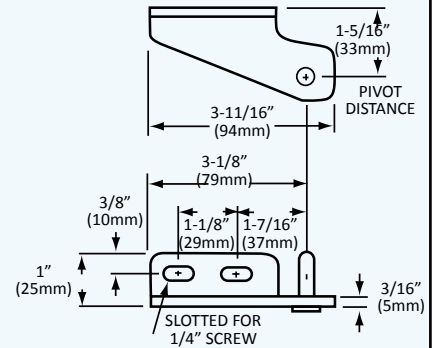
WITH HORIZONTAL MOUNTING HOLES



MODEL NO. R56-7010
 RIGHT HAND (AS ILLUSTRATED)



MODEL NO. R56-7011
 LEFT HAND (OPPOSITE)



HORIZONTAL PIVOT BRACKETS

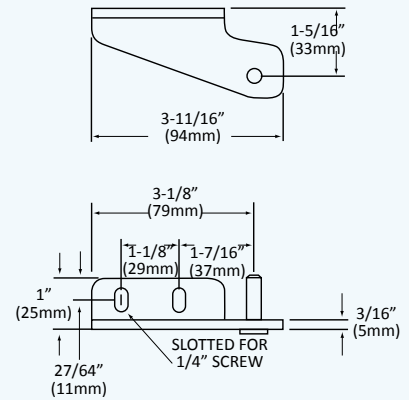
WITH VERTICAL MOUNTING HOLES



MODEL NO. R56-7014
 RIGHT HAND (AS ILLUSTRATED)



MODEL NO. R56-7015
 LEFT HAND (OPPOSITE)



HORIZONTAL INTERMEDIATE PIVOT BRACKETS

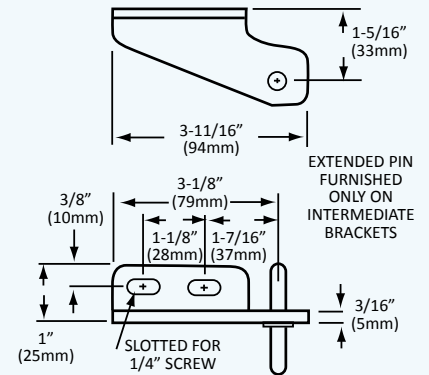
WITH HORIZONTAL MOUNTING HOLES



MODEL NO. R56-7040
 RIGHT HAND (AS ILLUSTRATED)



MODEL NO. R56-7041
 LEFT HAND (OPPOSITE)





CONCEALED PIVOT BRACKETS

MATERIAL HARDENED STEEL, CHROME PLATED
 OPTIONAL: BLACK EPOXY POWDER COATED FINISH

- VERTICAL AND HORIZONTAL BRACKETS ACCOMMODATE VARIOUS CONSTRUCTION REQUIREMENTS
- BOTH ASSEMBLIES PROVIDE PERFECT OPERATION USING A PIVOT DISTANCE OF 1-15/16" (33mm)
- CARTRIDGE AND PIVOT GUIDE INSTALLATION IS SIMPLE, REQUIRING A 7/8" (22mm) SQUARE OPENING IN BOTH TOP AND BOTTOM OF DOOR
- BRACKETS AND CARTRIDGES MUST BE ORDERED SEPARATELY. TO ASSIST IN SELECTING THE PROPER COMPONENTS A TYPICAL APPLICATION EXAMPLE IS ILLUSTRATED ON THE FACING PAGE

VERTICAL INTERMEDIATE PIVOT BRACKETS

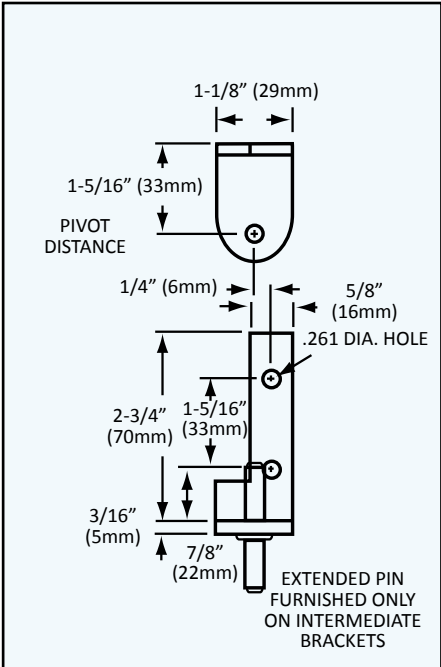
WITH ROUND MOUNTING HOLES



MODEL NO. R56-8040
 RIGHT HAND (AS ILLUSTRATED)



MODEL NO. R56-8041
 LEFT HAND (OPPOSITE)



VERTICAL PIVOT BRACKETS

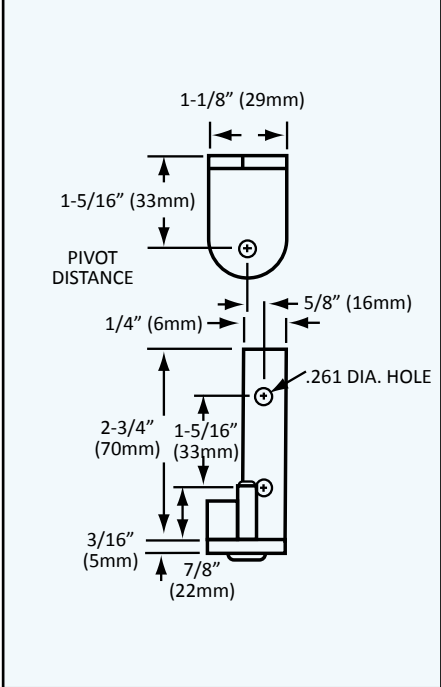
WITH ROUND MOUNTING HOLES



MODEL NO. R56-8010
 RIGHT HAND (AS ILLUSTRATED)



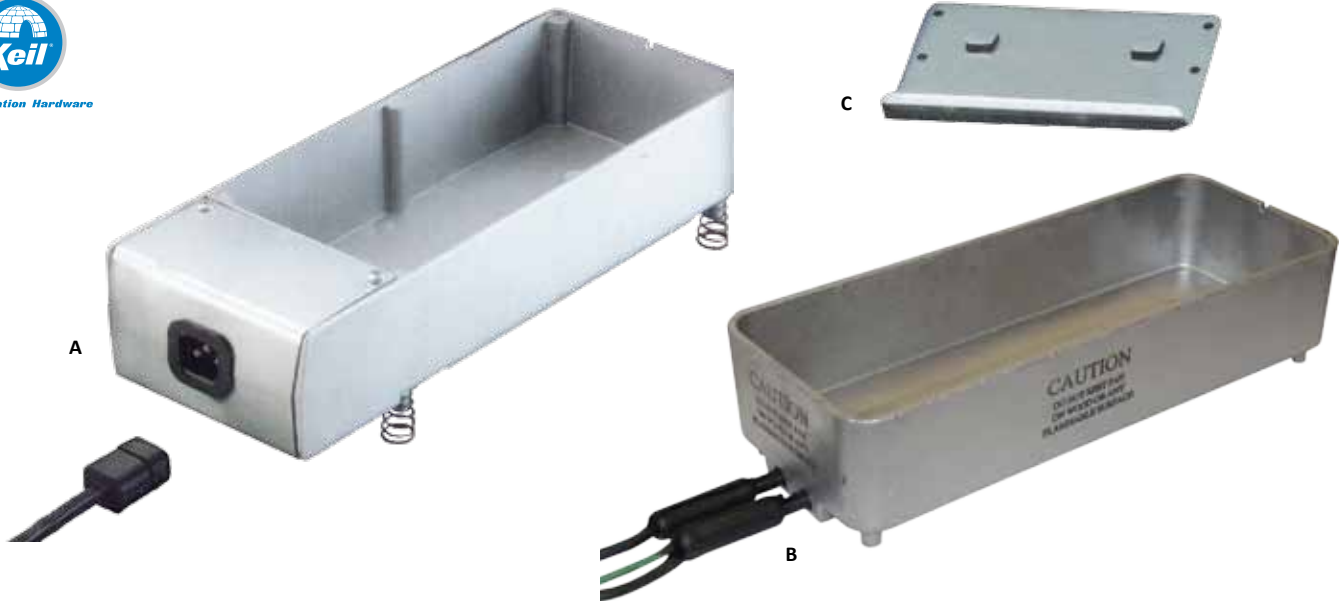
MODEL NO. R56-8011
 LEFT HAND (OPPOSITE)



Condensate Evaporators



Refrigeration Hardware



REF. A

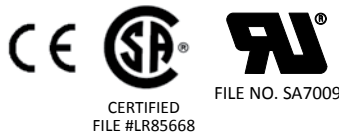
UL-PTC EVAPMATIC CONDENSATE EVAPORATORS FEATURES

- ALL MODELS U.L. RECOGNIZED (FILE #SA7009)
- HEATER PAD WITH PTC RESISTOR WIRE CONSERVES ENERGY BY SELF-REGULATING THE WATTAGE REQUIRED TO BURN OFF CONDENSATE IN THE PAN
- 160, 190 AND 300 WATT MODELS • 117 AND 220 VOLT MODELS
- DIE CAST ALUMINUM CONSTRUCTION • 50 oz (1479ml) CAPACITY
- REMOVABLE CORDSETS WITH MOLDED PLUGS
- CE APPROVED MODELS FOR EUROPEAN 160 AND 300 WATT, 230 VOLT APPLICATIONS

U.L. MODEL NO.	C.S.A. MODEL NO.	WATTAGE	VOLTAGE	CAPACITY	EVAPORATOR rate/hr.
T12-0370	-	160	117	50 oz (1479ml)	3 oz (90ml)
T12-0372	-	160	220	50 oz (1479ml)	3 oz (90ml)
T12-5000	-	300	117	50 oz (1479ml)	5.75 oz (170ml)
T12-5200	-	300	220	50 oz (1479ml)	5.75 oz (170ml)
-	T12-5000-CSA	190	117	50 oz (1479ml)	5.4 oz (160ml)
-	T12-5200-CSA	190	220	50 oz (1479ml)	5.4 oz (160ml)
T12-0372-CE		160	230	50 oz (1479ml)	3 oz (90ml)
T12-0372-CE48		160	230	50 oz (1479ml)	3 oz (90ml)
T12-0372-CE84		160	230	50 oz (1479ml)	3 oz (90ml)
T12-5200-CE		300	230	50 oz (1479ml)	5.75 oz (170ml)
T12-5200-CE48		300	230	50 oz (1479ml)	5.75 oz (170ml)
T12-5200-CE84		300	230	50 oz (1479ml)	5.75 oz (170ml)

SPECIFICATIONS:

- VOLUME:** 50 FLUID OUNCES (1479 ml)
O.A. SIZE: 4-3/4" X 12-1/2" X 2-3/4"
 (120mm X 317mm X 70mm)
PAN: DIE CAST ALUMINUM
CORDSET: REMOVABLE, 18" (457mm) LONG STANDARD
LEGS: WIRE SPRING TYPE



NOTE: LONGER CORDSETS WITH OR WITHOUT MOLDED PLUGS ARE AVAILABLE UPON APPLICATION

REF. B

BASIC CONDENSATE EVAPORATOR

- STANDARD SIZE
- DIE CAST ALUMINUM CONSTRUCTION
- 18" (457mm) LG. WIRE LEADS
- 34 oz (1000ml) CAPACITY

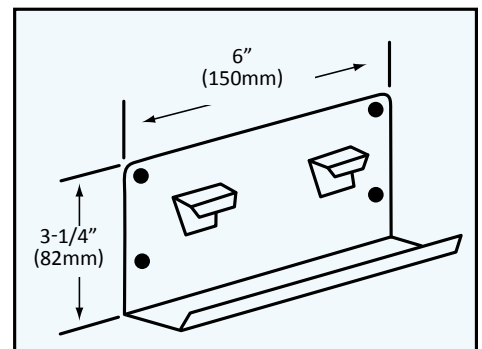
MODEL NO. T10-3351
(160 WATTS, 117 VOLTS)

SPECIFICATIONS:

- VOLUME:** 34 FLUID OUNCES (1000ml)
O.A. SIZE: 4" X 10-1/8" X 3"
 (102mm X 260mm X 76mm)
PAN: DIE CAST ALUMINUM
WIRE LEADS: 18" (457mm) LONG
LEGS: WIRE SPRING TYPE

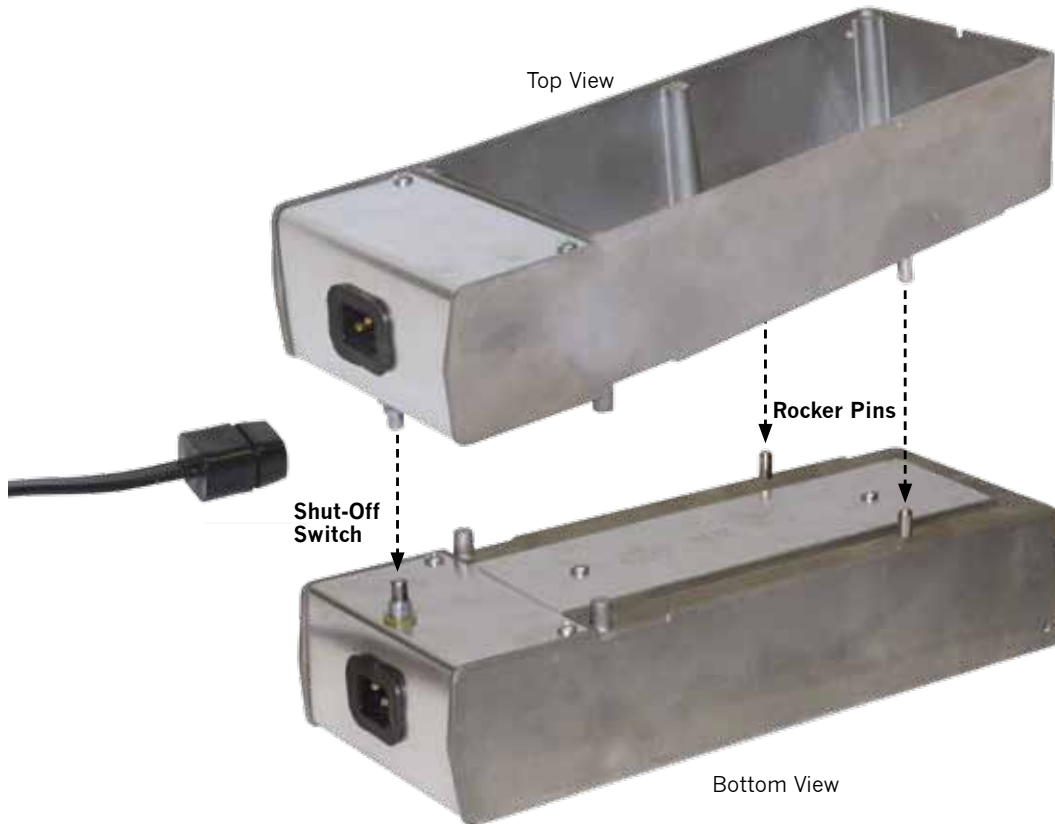
REF. C

MODEL NO.
T12-3390





Refrigeration Hardware



UL-PTC EVAPMATIC CONDENSATE EVAPORATORS WITH ENERGY-SAVING ON/OFF PRESSURE SWITCH

- WEIGHT-SENSING ON/OFF PRESSURE SWITCH AND ROCKER PINS ON BOTTOM OF UNIT REDUCE ENERGY CONSUMPTION BY ONLY ACTIVATING THE EVAPORATOR WHILE WATER IS PRESENT IN THE PAN
- HEATER PAD WITH PTC RESISTOR WIRE FURTHER CONSERVES ENERGY BY SELF-REGULATING THE WATTAGE REQUIRED TO BURN OFF CONDENSATE IN THE PAN
- 160 WATT AND 300 WATT MODELS AVAILABLE • 117 VOLT AND 220 VOLT MODELS AVAILABLE
 - 50 FL. OZ. (1479ml) DIE CAST ALUMINUM PAN
 - 18" (457mm) GROUNDED REMOVABLE CORD SET (OTHER LENGTHS AVAILABLE WITH OR WITHOUT PLUG)

U.L. MODEL NO.	WATTAGE	VOLTAGE	CAPACITY	EVAPORATOR rate/hr.
T12-0370-P	160W	117V	50 oz (1479ml)	3 oz (90ml)
T12-0372-P	160W	220V	50 oz (1479ml)	3 oz (90ml)
T12-5000-P	300W	117V	50 oz (1479ml)	5.75 oz (170ml)
T12-5200-P	300W	220V	50 oz (1479ml)	5.75 oz (170ml)



FILE NO. SA7009

Padlock Hasp Assembly



Refrigeration Hardware



A



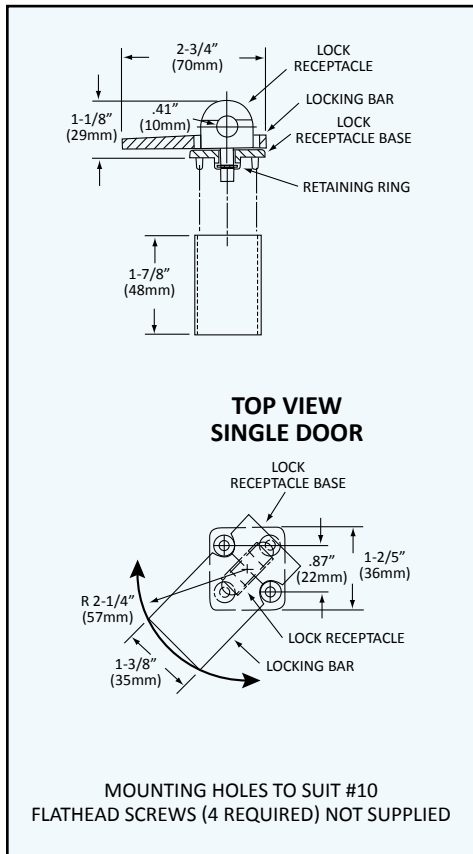
B

REF. A PADLOCK HASP ASSEMBLY FOR SINGLE DOOR

- HEAVY DUTY BRASS CHROME PLATED CONSTRUCTION
- TAMPERPROOF, ALL MOUNTING SCREWS CONCEALED
- REVERSIBLE DESIGN

**MODEL NO.
R99-1200**

**PADLOCK HASP ASSEMBLY
1-7/8" OFFSET / SINGLE DOOR**



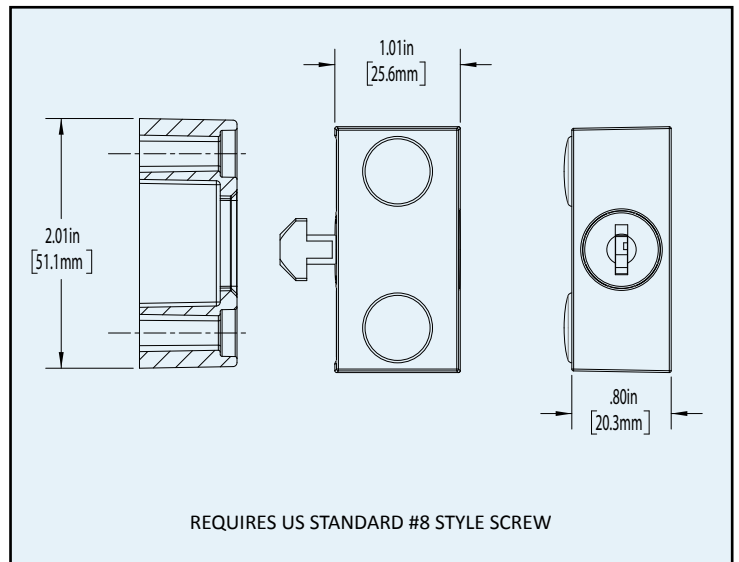
REPLACES* DENT #D-112 WITH KEIL QUALITY HARDWARE

REF. B

SECURITY LOCK

- HIGH POLISH CHROME FINISH
- EASY INSTALLATION
- VERTICAL AND HORIZONTAL ADJUSTMENTS
- FOUR-DISC CYLINDER PROVIDES EXTRA SECURITY
- BLACK PLASTIC CAPS INCLUDED
- COMPATIBLE WITH GLASS AND MOST OTHER DOORS

**MODEL NO.
P99-100SL-01
SECURITY LOCK**





Refrigeration Hardware



REFRIGERATOR / FREEZER THERMOMETERS

REF. A

ECONOMICAL REFRIGERATOR / FREEZER THERMOMETER MODEL NO. T90-330

- DUAL SCALE TEMPERATURE RANGE -40° TO 120°F (-40° TO 50°C)
- NON-TOXIC SOLUTION IN COMPLETELY SEALED GLASS TUBE
- HANGS FROM SHELF OR FASTENS PERMANENTLY
- UNIQUE 360° SWIVEL MOUNTING BRACKET

REF. B

REFRIGERATOR / FREEZER THERMOMETER MODEL NO. T90-25HP

- STAINLESS STEEL FRAME AND BEZEL
- 2" (51mm) DIA. ROUND FACE • CAN HANG OR STAND
- DIAL HAS FOOD ZONES AND 2°F INCREMENTS
- DUAL SCALE TEMPERATURE RANGE -20° TO 80°F (-30° TO 30°C)

REF. C

ELECTRONIC BATTERY PANEL MOUNT THERMOMETER MODEL NO. T90-DM120

- STAINLESS STEEL FLUSH MOUNTING REMOTE SENSOR DIGITAL THERMOMETER.
- LARGE 1/2" (13mm) LCD DISPLAY
- 39" (1m) LONG SENSOR CORD
- 1.5 VOLT BATTERY INCLUDED
- TEMPERATURE RANGE -40° TO 120°F

REF. D

SURFACE MOUNT THERMOMETER MODEL NO. T90-6812

- DUAL SCALE TEMPERATURE RANGE -40° TO 65°F (-40° TO 20°C) • STAINLESS STEEL HOUSING
- 2" DIAL - 3-1/2" FLANGE • RECALIBRATEABLE
- ACCURACY + 2% • 48" CAPILLARY

REF. E

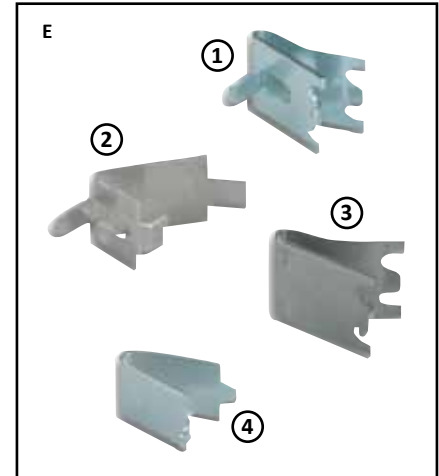
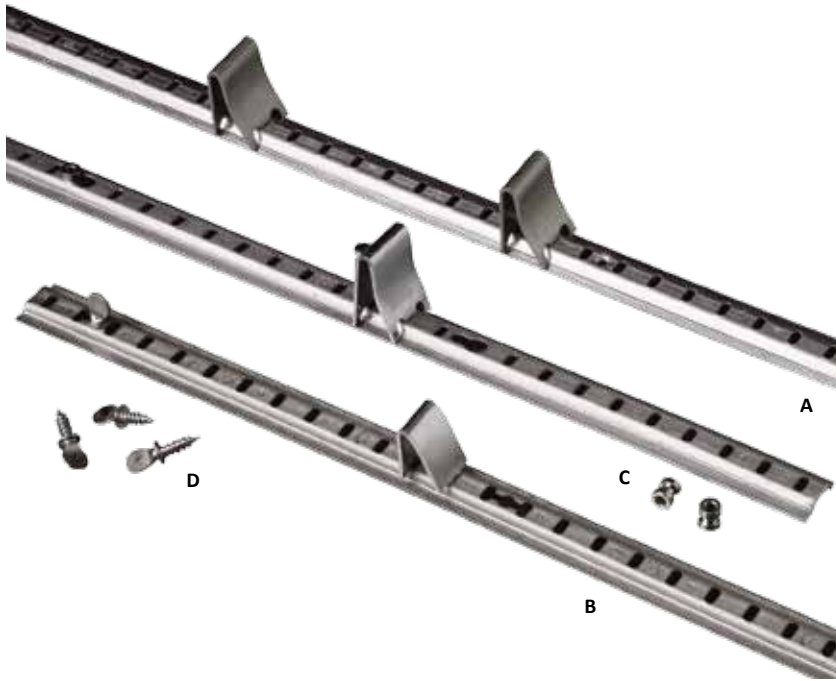
FLUSH FRONT RECESSED MOUNT THERMOMETER MODEL NO. T90-6142

- DUAL SCALE TEMPERATURE RANGE -40° TO 65°F (-40° TO 20°C) • STAINLESS STEEL HOUSING
- ACCURACY + 2% • 2" DIAL - 3" FLANGE
- RECALIBRATEABLE • 48" CAPILLARY

Pilaster & Shelf Supports



Refrigeration Hardware



REF. A

CONVENTIONAL TYPE PILASTER

ALUMINUM MODEL NO.	STAINLESS STEEL MODEL NO.	LENGTH
T22-0024	T22-1024	24" (610mm)
T22-0036	T22-1036	36" (914mm)
T22-0042	T22-1042	42" (1067mm)
T22-0048	T22-1048	48" (1219mm)
T22-0060	T22-1060	60" (1524mm)
T22-0072	T22-1072	72" (1828mm)
T22-0144	T22-1144	144" (3658mm)

NOTE: SPECIAL LENGTHS AVAILABLE UPON APPLICATION. SHELF SLOTS ARE 1/2" ADJUSTMENT. COUNTERSUNK MOUNTING HOLES EQUALLY SPACED ON 6" CENTERS AND WILL ACCEPT #4 FLAT HEAD SCREWS OR STANDARD POP-RIVETS.

REF. B

REMOVABLE TYPE PILASTER

ALUMINUM MODEL NO.	STAINLESS STEEL MODEL NO.	LENGTH
T23-0024	T23-1024	24" (610mm)
T23-0036	T23-1036	36" (914mm)
T23-0042	T23-1042	42" (1067mm)
T23-0048	T23-1048	48" (1219mm)
T23-0060	T23-1060	60" (1524mm)
T23-0072	T23-1072	72" (1828mm)
T23-0144	T23-1144	144" (3658mm)

NOTE: SPECIAL LENGTHS AVAILABLE UPON APPLICATION. SHELF SLOTS ARE 1/2" ADJUSTMENT. KEYHOLE SLOTS EQUALLY SPACED ON 6" CENTERS. DESIGNED FOR USE WITH REMOVABLE THUMBSCREW MODEL NO. T32-5020.

REF. C

KEYHOLE TYPE PILASTER

ALUMINUM MODEL NO.	STAINLESS STEEL MODEL NO.	LENGTH
T21-0024	T21-1024	24" (610mm)
T21-0036	T21-1036	36" (914mm)
T21-0042	T21-1042	42" (1067mm)
T21-0048	T21-1048	48" (1219mm)
T21-0060	T21-1060	60" (1524mm)
T21-0072	T21-1072	72" (1828mm)
T21-0144	T21-1144	144" (3658mm)

NOTE: SPECIAL LENGTHS AVAILABLE UPON APPLICATION. SHELF SLOTS ARE 1/2" ADJUSTMENT. KEYHOLE SLOTS EQUALLY SPACED ON 6" CENTERS. DESIGNED FOR USE WITH KEYHOLE SUPPORT MODEL NO. T34-1010.

REF. D

STAINLESS STEEL THUMBSCREW

MODEL NO. T32-5020
SIZE: #8 x 1/2" (13mm) LONG

POP-RIVET TYPE KEYHOLE SUPPORT

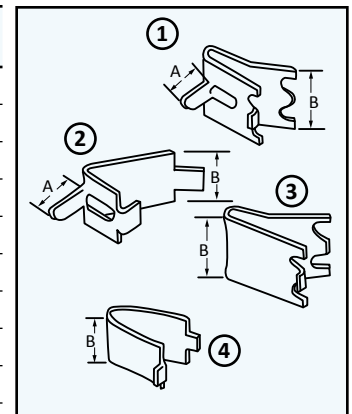
MODEL NO. T34-1010

BRASS NICKEL PLATED MATERIAL
USE WITH 1/8" DIA.
X 1/3" LG. RIVETS
(3mm DIA. x 7.5mm) LONG

REF. E

SNAP-IN SHELF SUPPORTS

REF.	MODEL NO.	MATERIAL	"A" TAB HEIGHT	"B" CLIP WIDTH
1	T30-5130	STAINLESS STEEL	7/16" (11mm)	7/8" (22mm)
1	T30-5130-TAB	STAINLESS STEEL	1/4" (6mm)	7/8" (22mm)
1	T30-5131	ZINC PLATED	7/16" (11mm)	7/8" (22mm)
3	T30-5030	STAINLESS STEEL	-	7/8" (22mm)
4	T30-5031	ZINC PLATED	-	5/8" (16mm)
4	T30-5032	STAINLESS STEEL	-	5/8" (16mm)
2	T30-5050	ZINC PLATED FOR H.D. SQ.	2/5" (11mm)	3/4" (19mm)
2	T30-5051	ALUMINUM FOR H.D. SQ.	2/5" (11mm)	3/4" (19mm)
2	T30-5055	STAINLESS STEEL FOR H.D. SQ.	1/2" (13mm)	3/4" (19mm)
1	T30-9901-UT	ZINC PLATED	1/4" (6mm)	7/8" (22mm)





Refrigeration Hardware



REF. A

THERMAL MASTIC HEAT TRANSFER COMPOUND

- REPLACES* SOLDER FOR HEAT TRANSMISSION
- STABLE AT ALL WORKING TEMPERATURES
- DOES NOT HARDEN OR LOSE ADHESION AT -50°F (-45°C)
 - WILL NOT FLOW AT 220°F (104°C)
 - FLASHPOINT: 450°F (232°C)

THERMAL MASTIC CAN BE USED WHEREVER RAPID TRANSMISSION IS DESIRED...BETWEEN COILS AND LINERS, BETWEEN LIQUID AND SUCTION LINE HEAT EXCHANGERS.

THERMAL MASTIC COATING

10.3 oz (305ml) TUBE CARTRIDGE

MODEL NO. Q77-1000

1 gal (3.7 lit) CONTAINER

MODEL NO. Q77-1240

5 gal (19 lit) CONTAINER

MODEL NO. Q77-1250

53 gal (200 lit) CONTAINER

MODEL NO. Q77-1260

REF. B

THERMAL MASTIC CAULKER

10.3 oz (305ml) CAULKING GUN

MODEL NO. Q99-1000

REF. C

FLEXIBLE INSULATING CONDUIT SLEEVE

- **FULL PROTECTION**
OF ELECTRICAL AND OTHER SUPPLY LINES PASSING THROUGH METAL SKIN REFRIGERATION PANELS

- **CLEAN APPEARANCE**
PROVIDES A PROFESSIONAL FINISHED LOOK

- **LABOR SAVING**
ELIMINATES THE NEED FOR COSTLY TAILPIECE ASSEMBLIES AND WELDED JOINTS

- **COMPENSATING FLEXIBLE HEAD**
FITS ALL PANEL THICKNESSES FROM 2" (51mm) TO 2-1/4" (57mm)

- **PROVIDES A FULL 1-1/4" (32mm) DIAMETER PASS THRU OPENING FOR ALL EXTERNAL SUPPLY LINES**

MODEL NO. R90-1002

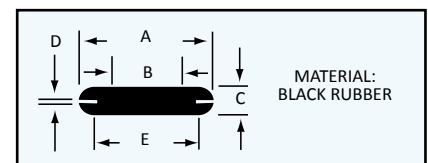
MATERIAL: BLACK PVC
REQUIRES A 1-5/8" (41mm) CLEARANCE HOLE

REF. D

RUBBER GROMMETS

LARGE DIAMETER RUBBER GROMMETS

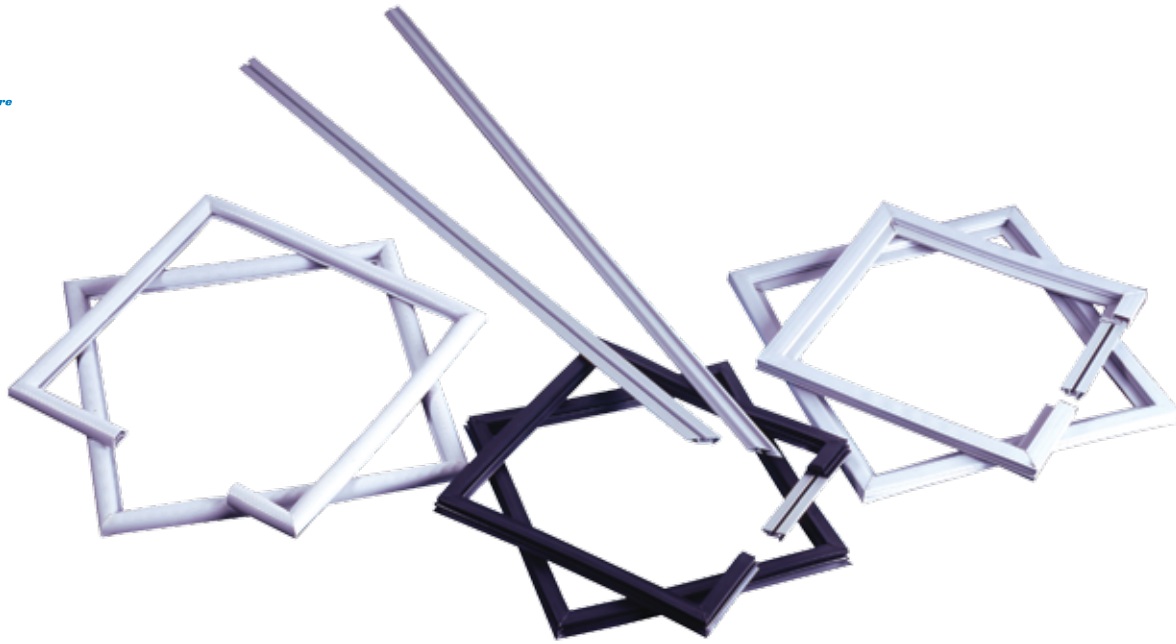
MODEL NO.	A	B	C	D	E
Q24-0420	1-7/8" (47mm)	1-1/8" (28mm)	3/8" (9mm)	1/16" (1.5mm)	1-1/2" (38mm)
Q24-0520	2-7/8" (73mm)	2-1/8" (54mm)	7/16" (11mm)	1/16" (1.5mm)	2-1/2" (63mm)



Gasket Frames

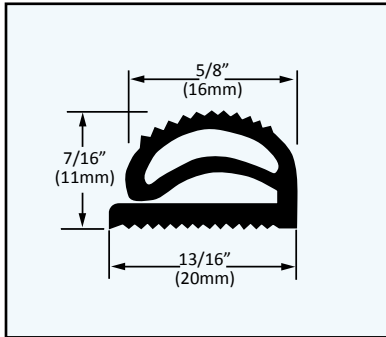


Refrigeration Hardware



COMPLETE COMPRESSION GASKET FRAMES with WELDED CORNERS

- DURABLE GRAY PVC
- CUSTOM MADE SIZES
- NO TOOLING CHARGE
- ECONOMICAL - NO WASTE



WHEN ORDERING COMPRESSION GASKET FRAMES SPECIFY

MODEL NO. 5804*
AND EXACT OUTSIDE DIMENSIONS

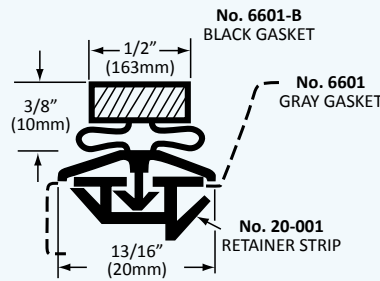
MINIMUM ORDER...
25 FRAMES PER SIZE

*UTILIZES T42-3330 GASKET

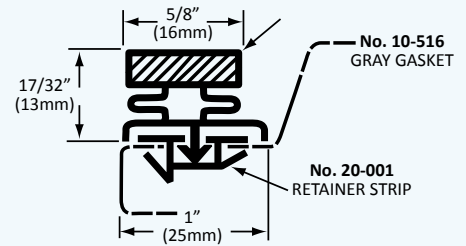
SNAP-IN REMOVABLE MAGNETIC GASKET FRAMES and RETAINER STRIP

- FOR FOAMED IN PLACE INSULATION
- FAST INSTALLATION • SNAPS INTO POSITION
- NO SPECIAL TOOLS REQUIRED • NO FASTENERS REQUIRED
- AVAILABLE IN GRAY OR BLACK PVC

FURNISHED AS COMPLETE GASKET FRAMES WITH WELDED CORNERS

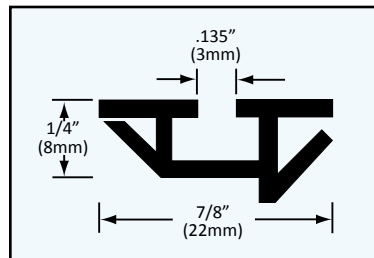


MODEL NO. 6601-B & 6601
ARE SINGLE DUROMETER GASKET



MODEL NO. 10-516
IS A DUAL DUROMETER GASKET

WHEN ORDERING SNAP-IN MAGNETIC GASKET FRAMES SPECIFY MODEL NO. AND EXACT CENTERLINE DIMENSIONS OF FRAME. MINIMUM ORDER 25 FRAMES PER SIZE. OTHER COLORS AVAILABLE UPON REQUEST.

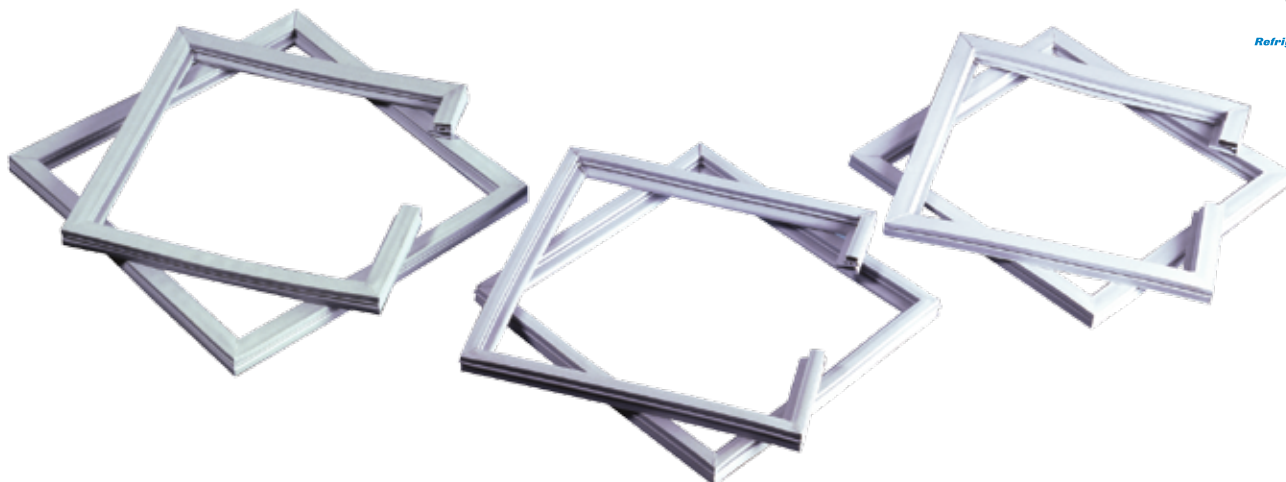


WHEN ORDERING RETAINER STRIPS SPECIFY

MODEL NO. 20-001
AND LENGTH REQUIRED

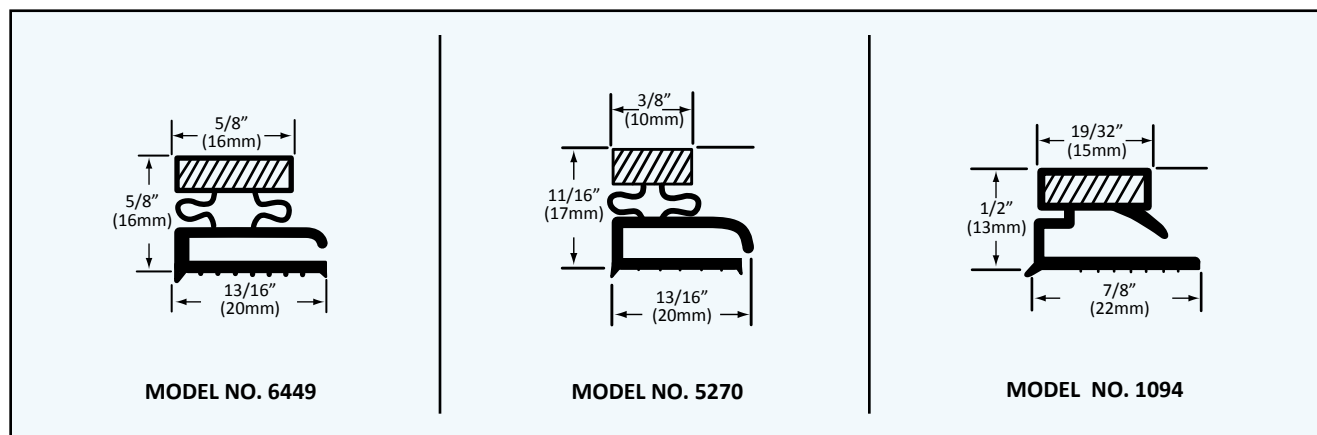


Refrigeration Hardware



COMPLETE MAGNETIC GASKET FRAMES WITH WELDED CORNERS

- DURABLE GRAY PVC
- CUSTOM MADE SIZES • NO TOOLING CHARGES
- ECONOMICAL - NO WASTE
- AVAILABLE IN THREE INDUSTRY STANDARD PROFILES



WHEN ORDERING MAGNETIC GASKET FRAMES SPECIFY MODEL NO. AND EXACT OUTSIDE DIMENSIONS OF FRAME

NOTE: GASKET FRAMES ARE ALSO AVAILABLE WITH MAGNET ON 3 SIDES, COMPLETE WITH PLUGGED ENDS

MINIMUM ORDER 25 FRAMES PER SIZE

Gaskets & Breaker Strips



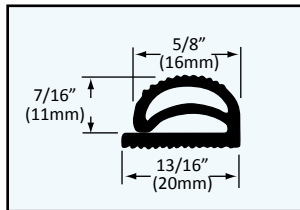
Refrigeration Hardware



GRAY PVC COMPRESSION GASKET

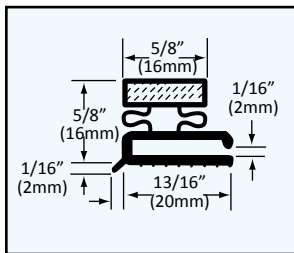
- GREASE RESISTANT • EASY TO CLEAN
- DURABLE - NO WASTE

MODEL NO. T42-3330
200 FT. (76mm) ROLL



MAGNETIC GASKET KITS

- NEUTRAL GRAY PVC
- FULLY WELDED CORNERS
- EASY INSTALLATION
- MINIMIZES INVENTORY



STRAIGHT KIT
GFK-6449-S
24 LENGTHS
36" (915mm) LG.

CORNER KIT
GFK-6449-C
24 PER BOX
12 R.H. and 12 L.H.
12" X 18"
(305mm x 457mm)

FLAT BREAKER STRIP

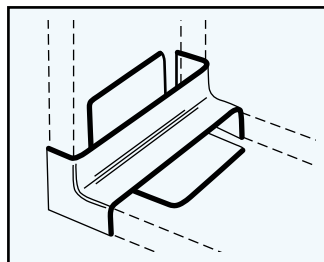
- MATTE GRAY ABS - MAR FREE
- PAPER MASKED ONE SIDE
- WILL NOT ABSORB ODORS
- USDA and FDA APPROVED

MODEL NO.	WIDTH
T54-0937	15/16" (24mm)
T54-1500	1-1/2" (38mm)
T54-1750	1-3/4" (44mm)
T54-2000	2" (51mm)
T54-2250	2-1/4" (57mm)
T54-2750	2-3/4" (70mm)
T54-3000	3" (76mm)

NOTE: FURNISHED IN 6 ft (1830mm) LENGTHS WITH A STANDARD THICKNESS OF .110 (2.8mm). SPECIAL SIZE WIDTHS AVAILABLE ON QUANTITY ORDERS

MOLDED PLASTIC CORNER

FOR USE WITH
T55-20-011 (2-5/16" WIDE)
BREAKER STRIP ONLY. PROVIDES
FINISHED APPEARANCE



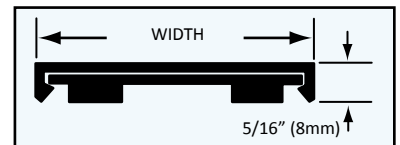
MODEL NO. T55-0598
COLOR: GRAY
TO MATCH BREAKER STRIP

EXTRUDED...SNAP-ON BREAKER STRIP

- MATTE GRAY PVC - MAR FREE
- EASILY CUT • ODORLESS
- USDA and FDA APPROVED

TWO-PIECE SNAP-ON BREAKER STRIP

BOTTOM STRIP HAS 1/8" (3mm) DIA. COUNTERSUNK HOLES EVERY 6" (152mm). ALLOWS FOR FASTENING WITH COUNTERSUNK SCREWS OR STANDARD POP-RIVETS. TOP STRIP SNAPS IN PLACE CONCEALING ALL FASTENERS.



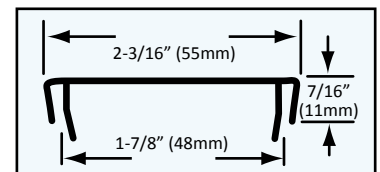
MODEL NO. T55-20-011
2-5/16" (59mm) WIDE

MODEL NO. T55-20-053
2" (51mm) WIDE

FURNISHED IN 6 ft (1830mm) LENGTHS

ONE PIECE SNAP-ON BREAKER STRIP

PROVIDES FAST INSTALLATION. SNAPS OVER SHEET METAL RETURNS, PROVIDES A SMOOTH CLEAN FINISH.



MODEL NO. T55-20-010
2-3/16" (55mm) WIDE
FURNISHED IN 6 ft (1830mm) LENGTHS

Order Form For Custom Made Gasket Frames

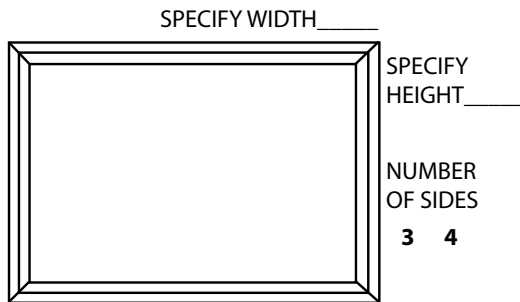
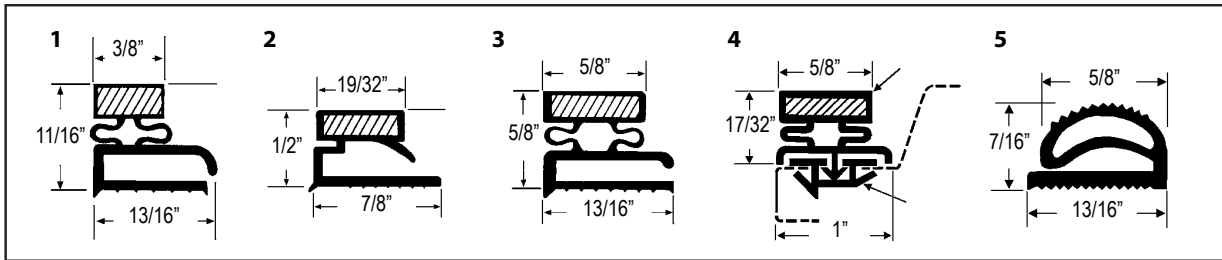
INSTRUCTIONS: Use this order form for all custom made gaskets.
 Fill out the exact specifications and mail or fax it to us.
 PLEASE NOTE: Custom made items are not returnable.



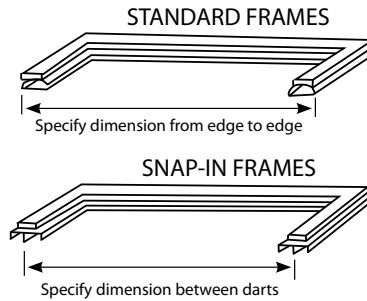
Refrigeration Hardware

SELECTION CHART

REF.	QTY.	MODEL NO.	TYPE
1	_____	5270	Standard Magnetic
2	_____	1094	Standard Magnetic
3	_____	6449	Standard Magnetic
4	_____	10-516	Snap-in Magnetic
5	_____	5804	Standard Compression



MEASURING A GASKET FRAME:



PRE-INSTALLATION TIPS

- Allow replacement gasket to reach room temperature before unfolding.
- Carry gasket by its corners and avoid squeezing folds to prevent breaking the internal magnetic strip.
- Thoroughly clean the area of the door where the gasket attaches, as well as the cabinet perimeter that the gasket face contacts.

DISTORTIONS

- Our gaskets are made from a vinyl material which can become distorted from folding. The folding is necessary to allow a practical and economically sized shipping parcel.
- The vinyl material retains a "memory" of its original shape so any distortions or kinks will only be temporary.
- Return to the original shape can be accelerated greatly by the application of heat, for example:
 Immerse gasket in 140°-185°F (60°-85°C) water for 15 to 30 minutes before installing.
 Apply heat from an electric hair dryer or heat lamp before and after installation. Care must be taken not to overheat and stretch or melt the material when using this method.

COMPANY NAME _____
 ADDRESS _____

PHONE NO. _____
 P.O. NO. _____ DATE _____
 AUTHORIZED BY _____



Component Hardware Group, Inc.
 1890 Swarthmore Avenue, PO Box 2020, Lakewood, NJ 08701 • Tel. 800-526-3694 • 732-363-4700 • Fax 732-364-8110

Order Form For Custom Wire Shelves



Refrigeration Hardware

CUSTOM MADE STANDARD and HEAVY DUTY WIRE SHELVES

Available in

- STAINLESS STEEL
- CHROME PLATED STEEL
- NICKEL PLATED STEEL
- ZINC PLATED STEEL
- EPOXY COATED STEEL



INSTRUCTIONS: COPY THIS FORM AND USE TO ORDER ALL CUSTOM MADE WIRE SHELVES.
FILL IN THE REQUIRED SPECIFICATIONS AND MAIL OR FAX THE FORM TO US.

PLEASE NOTE: CUSTOM MADE ITEMS ARE NOT RETURNABLE.

SELECTION CHART

INDICATE QUANTITY REQUIRED FOR SPECIFIC MODEL

STANDARD DUTY WIRE SHELVES

FRAME AND CROSSBAR SUPPORT: 5/16" DIA. WIRE
CROSS WIRES: 1/8" DIA, ON 3/4" SPACING

QTY	MODEL NO.	MATERIAL
_____	T50-4501	ZINC PLATED STEEL
_____	T50-4502	NICKEL PLATED STEEL
_____	T50-4503	CHROME PLATED STEEL
_____	T50-4504	EPOXY COATED STEEL Circle: Grey, Green, White or Chrome
_____	T50-4505	STAINLESS STEEL

HEAVY DUTY WIRE SHELVES

FRAME AND CROSSBAR SUPPORT: 3/8" DIA. WIRE
CROSS WIRES: 3/16" DIA. ON 3/4" SPACING

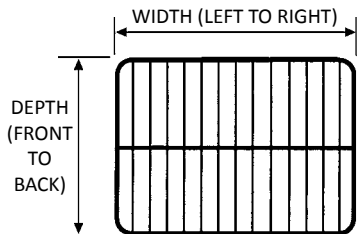
QTY	MODEL NO.	MATERIAL
_____	T50-5501	ZINC PLATED STEEL
_____	T50-5502	NICKEL PLATED STEEL
_____	T50-5503	CHROME PLATED STEEL
_____	T50-5504	EPOXY COATED STEEL Circle: Grey, Green, White or Chrome
_____	T50-5505	STAINLESS STEEL

SIZE REQUIREMENTS

INDICATE OVERALL WIDTH AND DEPTH

SPECIFY WIDTH _____ (LEFT TO RIGHT)

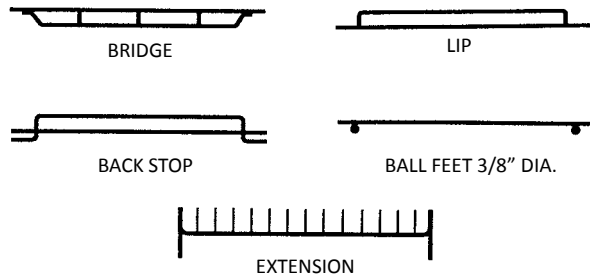
SPECIFY DEPTH _____ (FRONT TO BACK)



OPTIONS

PLEASE ATTACH A DETAILED DRAWING

- CUT OUTS...INDICATE LOCATION, SHAPE AND SIZE
 - 1/2" OR 1" CROSSWIRE SPACING
 - EXTRA SUPPORT BAR



COMPANY NAME _____
ADDRESS _____

PHONE NO. _____
P.O. NO. _____ DATE _____
AUTHORIZED BY _____



Component Hardware Group, Inc.

1890 Swarthmore Avenue, PO Box 2020, Lakewood, NJ 08701 • Tel. 800-526-3694 • 732-363-4700 • Fax 732-364-8110



Refrigeration Hardware



**MODEL NO.
SIS-6400**



**MODEL NO.
SIS-1000**

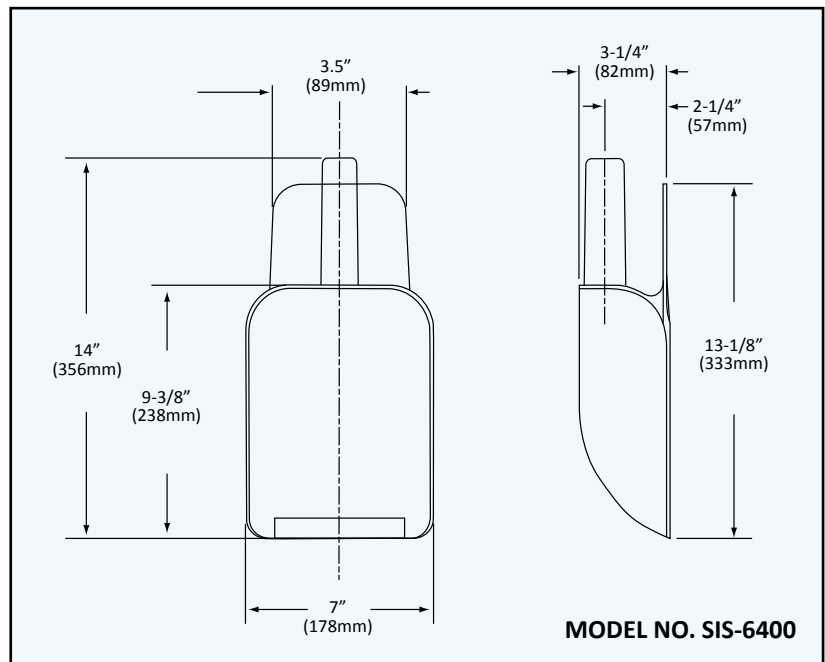


64 oz ICE SCOOP

WITH HAND GUARD AND SANIGUARD® ANTIMICROBIAL PRODUCT PROTECTION

- MOLDED HAND GUARD PROVIDES A PHYSICAL BARRIER TO HELP PREVENT ACCIDENTAL CONTACT OF DIRTY HANDS WITH THE ICE
 - IDEAL FOR USE IN OEM ICE BINS OR AS A REPLACEMENT ICE SCOOP
 - MAY ALSO BE USED AS A DRY MEASURE SCOOP
- HOLE IN HAND GUARD TO PERMIT USE OF A CHAIN • 64 oz CAPACITY • PATENT PENDING • WIRE FRAME WALL MOUNT BRACKET AVAILABLE: **MODEL NO. SIS-1000** • SANIGUARD® ANTIMICROBIAL PRODUCT PROTECTION HELPS TO INHIBIT THE GROWTH OF BACTERIA, MOLDS AND MILDEW WHICH CAN CAUSE ODORS, STAINING AND DETERIORATION OF THE ICE SCOOP

NOTE: SANIGUARD PRODUCT PROTECTION IS DESIGNED TO KEEP THE PRODUCT FRESHER AND CLEANER BETWEEN NORMAL CLEANING ROUTINES. IT IS NOT A DISINFECTANT AND WILL NOT PROTECT USERS OR OTHERS AGAINST FOOD-BORNE ILLNESS OR DISEASE CAUSING BACTERIA, VIRUSES OR GERMS. ALWAYS USE GOOD HYGIENE AND CLEANING PRACTICES.



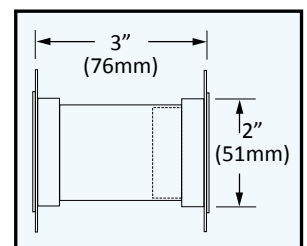
MODEL NO. SIS-6400

MICRO-MINI VENT PORT™

PRESSURE RELIEF PORTS FOR REACH-IN COOLERS AND FREEZERS

MODEL NO. R88-1000

- DESIGNED FOR 3" WALL THICKNESS
- FAST PRESSURE EQUALIZATION
- CORROSION & VERMIN PROOF
- INSULATED CONSTRUCTION
 - TWO-WAY AIR FLOW
 - FULL SIZE PORTS
 - 2" (51mm) DIA.



Index

MODEL NO.	PAGE NO.	MODEL NO.	PAGE NO.	MODEL NO.	PAGE NO.	MODEL NO.	PAGE NO.
10-516	E26	R42-2840	E14	R88-1000	E31	T30-5030	E24
1094	E27	R42-2841	E12	R90-1002	E25	T30-5031	E24
20-001	E26	R42-2842	E12	R99-1200	E27	T30-5032	E24
5270	E27	R42-2842-BB	E12	SIS-1000	E31	T30-5050	E24
5804	E26	R42-2842-BR	E12	SIS-6400	E31	T30-5051	E24
6601-B	E26	R42-2843	E10	T10-3351	E20	T30-5055	E24
6601	E26	R42-2844	E13	T12-0370	E20	T30-5130	E24
6449	E27	R42-2855	E13	T12-0370-P	E21	T30-5130-TAB	E24
GFK-6449-C	E28	R42-2871	E11	T12-0372	E20	T30-5131	E24
GFK-6449-S	E28	R42-2872	E11	T12-0372-CE	E20	T30-9901-UT	E24
Hinge Selector Guide	E14	R42-2873	E11	T12-0372-CE48	E20	T32-5020	E24
M15-9210	E9	R42-2880	E11	T12-0372-CE84	E20	T34-1010	E24
M15-9211	E9	R42-2881	E11	T12-0372-P	E21	T42-3330	E28
M23-5000	E10	R42-2882	E11	T12-3390	E20	T50-4501	E30
P30-0802	E4, E6, E7	R42-2883	E11	T12-5000	E20	T50-4502	E30
P40-1010	E3	R42-2890-C	E11	T12-5000-CSA	E20	T50-4503	E30
P48-1010	E3	R42-2890-K	E11	T12-5000-P	E21	T50-4504	E30
P48-1012	E3	R42-2891	E11	T12-5200	E20	T50-4505	E30
P48-X002	E3	R42-2892	E11	T12-5200-CE	E20	T50-5501	E30
P49-1500	E3	R42-2893	E11	T12-5200-CE48	E20	T50-5502	E30
P49-1500-6	E3	R42-X003	E15	T12-5200-CE84	E20	T50-5503	E30
P99-100SL-01	E22	R42-X004	E15	T12-5200-CSA	E20	T50-5504	E30
Q24-0420	E25	R42-X008	E15	T12-5200-P	E21	T50-5505	E30
Q24-0520	E25	R42-X038	E15	T21-0024	E24	T54-0937	E28
Q77-1000	E25	R42-X020	E15	T21-0036	E24	T54-1500	E28
Q77-1240	E25	R42-X021	E15	T21-0042	E24	T54-1750	E28
Q77-1250	E25	R42-X103	E15	T21-0048	E24	T54-2000	E28
Q77-1260	E25	R45-1010	E16	T21-0060	E24	T54-2250	E28
Q99-1000	E25	R45-X003	E15	T21-0072	E24	T54-2750	E28
R20-1010	E14	R45-X004	E15	T21-0144	E24	T54-3000	E28
R20-1020	E14	R50-2820	E16	T21-1024	E24	T55-0598	E28
R24-9175	E6	R50-2830	E16	T21-1036	E24	T55-20-010	E28
R24-9175-C	E6	R50-2850	E16	T21-1042	E24	T55-20-011	E28
R24-9175-X	E6	R50-2850-BLK	E16	T21-1048	E24	T55-20-053	E28
R24-9175-XC	E6	R50-2850-NL	E16	T21-1060	E24	T90-25HP	E23
R24-Y001	E6	R50-2850-SPO	E16	T21-1072	E24	T90-330	E23
R25-1700-C	E7	R50-2850-SS	E16	T21-1144	E24	T90-6142	E23
R25-1700-NC	E7	R50-2851	E16	T22-0024	E24	T90-6812	E23
R25-1700-XNC	E7	R50-X003	E15	T22-0036	E24	T90-DM120	E23
R25-1700-XC	E7	R50-X003-SS	E15	T22-0042	E24		
R25-2700-XC	E7	R50-X004	E15	T22-0048	E24		
R25-2700-XNC	E7	R50-X004-A	E15	T22-0060	E24		
R25-2750-XNC	E7	R50-X004-C	E15	T22-0072	E24		
R25-2750-XTL	E7	R50-X004-SS	E15	T22-0144	E24		
R25-X002	E7	R50-X004-SS	E15	T22-1024	E24		
R25-Y001	E7	R50-X005	E15	T22-1036	E24		
R26-1000	E5	R50-X005-SS	E15	T22-1042	E24		
R26-Y001	E5	R50-X006	E15	T22-1048	E24		
R27-1010-X	E8	R56-1010	E15	T22-1060	E24		
R30-9140-FL	E9	R56-5010	E15, E17	T22-1072	E24		
R30-9140-5/8	E9	R56-5011	E15, E17	T22-1144	E24		
R35-1105	E4	R56-5016	E17	T23-0024	E24		
R35-1105-C	E4	R56-5017	E15, E17	T23-0036	E24		
R35-1105-X	E4	R56-6010	E15, E17	T23-0042	E24		
R35-1105-XC	E4	R56-6011	E17	T23-0048	E24		
R35-3105-X	E10	R56-7010	E18	T23-0060	E24		
R35-Y001	E4	R56-7011	E15, E18	T23-0072	E24		
R35-Y005	E4	R56-7014	E18	T23-0144	E24		
R40-1010	E14	R56-7015	E18	T23-1024	E24		
R40-X002	E15	R56-7040	E15, E18	T23-1036	E24		
R40-X003	E15	R56-7041	E18	T23-1042	E24		
R42-2000	E13	R56-8010	E19	T23-1048	E24		
R42-2800	E10, E12, E13	R56-8011	E19	T23-1060	E24		
R42-2801	E12	R56-8040	E19	T23-1072	E24		
R42-2810	E12, E13	R56-8041	E19	T23-1144	E24		

All photographs and illustrations are considered to be a representation of the actual item. In some cases there may be slight variations. This catalog, copy, part numbers and unique method of illustrating products is copyrighted by Component Hardware Group, Inc. All rights reserved. No portion of this catalog may be reproduced in any form or by any means in whole or in part, without the written consent of Component Hardware. Component Hardware reserves the right to make any and all changes and to discontinue any of its products without notice.

Not responsible for typographical errors.
*May not be identical to competitors' products.



Refrigeration Hardware

1890 Swarthmore Avenue • PO Box 2020 • Lakewood • NJ 08701

Tel. 800-526-3694 • 732-363-4700 • Fax 732-364-8110

www.keilhardware.com

