

Distributed by :  
MBH International Sales, Inc.

For More Information  
Email : Sales@mbhny.com



• Cooler / Freezer • Walk-In / Reach-In • Serving Line



# LIGHTING & ELECTRICAL SOLUTIONS

FOR **HOT** AND **COLD** FOODSERVICE APPLICATIONS



• Cooking Hood • Buffet Line • Perimeter

## OUR BRANDS

---



Component Hardware is the premier source for proprietary and industry-specific specialty components with special emphasis on sustainability, labor efficiency, and life cycle value. Bringing nearly 35 years of expertise in design innovation, sourcing, warehousing and global supply chain management to OEMs, fabricators, and facility operators worldwide.



Encore Premium Plumbing Products are recognized around the world by leading foodservice operators and institutional facility managers for its durability, water savings, energy efficiency, and meeting the most stringent sanitation standards.



Top-Line Plumbing Products offer a cost saving alternative to meet the demand of the foodservice market for durable, water saving plumbing fixtures.



Flame Gard offers the widest variety of commercial grease filters and kitchen exhaust system accessories and are engineered for safety, performance, efficiency and, above all, code compliance.



Keil Refrigeration provides value-added hardware and lighting systems for reach-in and walk-in refrigeration manufacturers worldwide. Our innovation durability, and energy efficiency, provide the best in quality and service in the most demanding environments.

All photographs and illustrations are considered to be a representation of the actual item. In some cases there may be slight variations.

This catalog, copy, part numbers and unique method of illustrating products is copyrighted by Component Hardware Group, Inc. All rights reserved. No portion of this catalog may be reproduced in any form or by any means in whole or in part, without the written consent of Component Hardware. Component Hardware reserves the right to make any and all changes and to discontinue any of its products without notice.

Not responsible for typographical errors.

\*May not be identical to competitors' products.

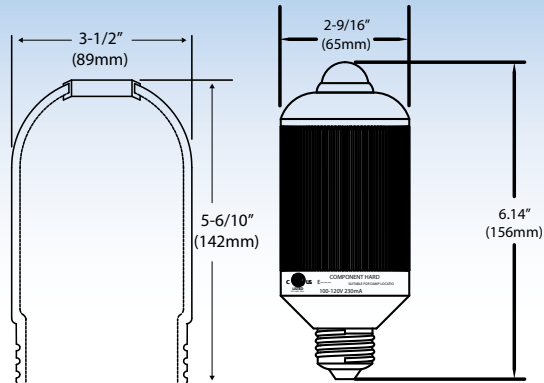
## TABLE OF CONTENTS

---

DESCRIPTION	PAGE
<b>COLD SIDE APPLICATIONS</b>	<b>2-11</b>
Bulb Guards	10
Cooler/Freezer Lighting Replacement Parts	11
L20 Series Incandescent Refrigeration Light	10
LED Appliance Bulbs	3
LED Filament Bulbs	2
LED Linkable Rigid Rail Fixtures	4
LED Linkable Ultra Slim Fixtures	5
LED Motion Sensor Light	2
LED Surface Mount Tube Style Light	7
LED Surface Mount Strip Style Light	6
Low Profile T5 Fluorescent Light	8
VXS-100 Series Incandescent	9
VXS CFL Surface Mount Fluorescent	9
VXS-LED Series	3
<b>HOT SIDE APPLICATIONS</b>	<b>12-17</b>
Exhaust Kitchen Hood Lighting Replacement Parts	17
L55 Series Incandescent Lights	16
L82 Fluorescent Style Fixture	15
L82 LED Tube Style Fixture	13
L87 Fluorescent Style Fixture	15
LED-L55 Series Hood Light	14
LED-L82 Strip Style Complete and Retrofit Fixtures	12
LED-L87 Strip Style Complete and Retrofit Fixtures	13
LED Surface Mount Light for Exhaust Kitchen Hoods	14
Recess Mount Perimeter LED Light	14
<b>ELECTRICAL OUTLET COMPONENTS</b>	<b>18-19</b>
Electrical Outlet Components	18-19

# Cooler-Freezer & Ambient Temperature Applications

- All Component Hardware LEDs are rated for 50,000 hour life – 50x standard incandescent bulb • Instant-on
- No ultraviolet emission • HACCP Compliant – LED lighting runs cooler than old incandescent and fluorescent fixtures, helping you to better control food temperatures in your refrigerators/coolers/freezers. In addition, LED lights do not contain harmful mercury, like fluorescent fixtures, eliminating a potential chemical hazard in your workplace. • Five-year warranty on parts



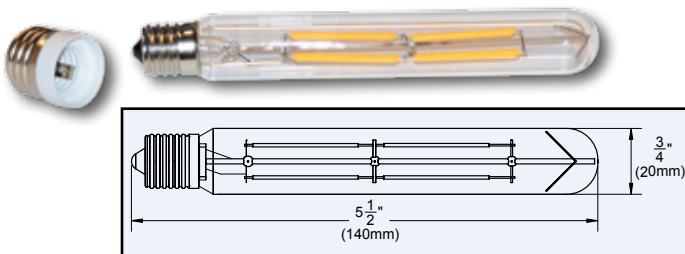
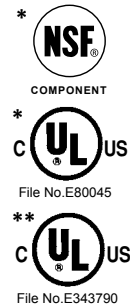
## LED Motion Sensor Light for Walk-In Refrigeration

- Replaces inefficient incandescent bulbs; low wattage for fast payback • Instant-on; no ballast to warm up; no buzzing or flickering
- Rated for 50,000 hour life • Mercury-free • Exceeds Federal Energy Act requirement • Unbreakable polycarbonate enclosure
- No ultraviolet emission; will not attract insects • Simply screw in to existing fixture – no adapter required • Fits any A19/E26/E27 fixture
- Adjustable time delay cycle from 5 seconds to 2 minutes • Ideal for any infrequently used area - walk-in coolers & freezers, dry storage areas, closets, stairways • 140° beam angle floods workspace with light

Model No.	Watts	Lumens	Kelvins	Operating Temp	Description
LED-321420C	18	2000	6000	-4°F to 140°F (-20°C to 60°C)	Bulb with Globe
LED-321420W		1600	3000		Bulb with Globe
VXS-LED-PC20C*	18	2000	6000		Complete Fixture with Bulb & Globe
VXS-LED-PC20W		1600	3000		Complete Fixture with Bulb & Globe
LED-321420C-B**	18		6000		Replacement Bulb, Cool White
LED-321420W-B**			3000		Replacement Bulb, Warm White

100-120 VAC, 50/60Hz

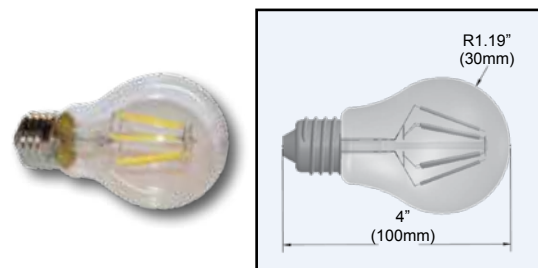
Operating Temperature: -4°F to 140°F (-20°C to 60°C)



## 4W LED Tubular Filament Appliance Bulb with E17 Intermediate Base

- Lumens equivalent to 40W incandescent bulb

Model No.	Length	Lumens	Kelvins	VAC
LED-TB40-T6-W	5-1/2" (140mm)	435	2800	120
LED-TB40-T6A-W				230
LED-E26E17ADPT	Optional Adapter to Change to E26 Medium Base			



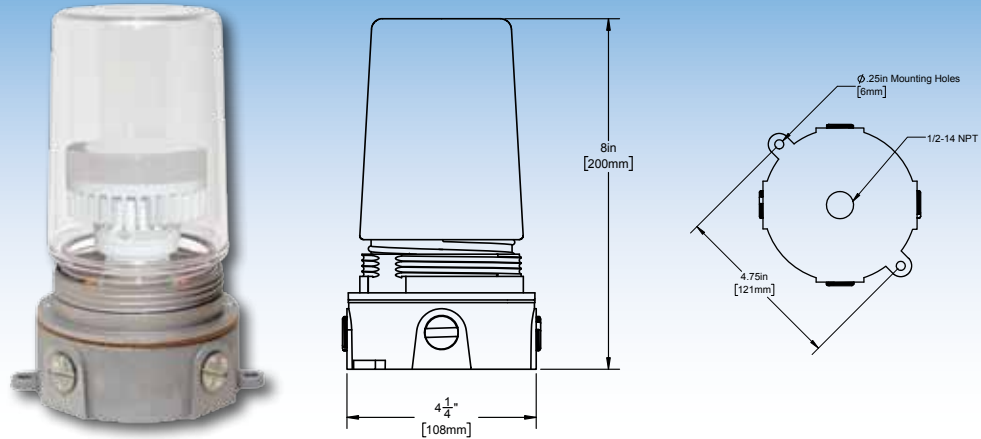
## 6W LED A19 Filament Appliance Bulb

- Lumens equivalent to 60W incandescent bulb

Model No.	Description	Lumens	Kelvins	VAC
LED-FL60-CL-C	Cool White, Clear Glass	650	6000	120
LED-FL60-ML-C	Cool White, Milky Glass	605		



# Cooler-Freezer & Ambient Temperature Applications



## LED Light for Walk-In Refrigeration

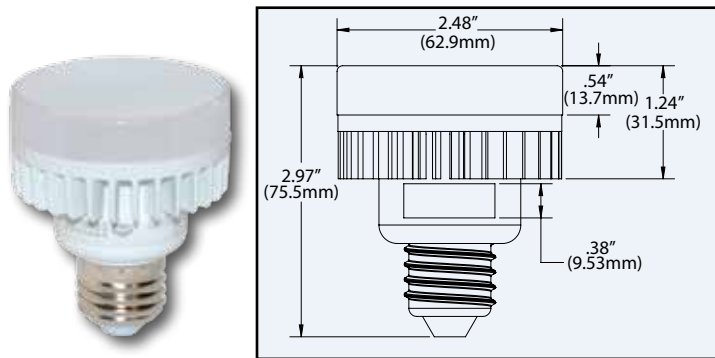
- Replaces inefficient incandescent bulbs • 1100 lumens equivalent to 100W incandescent bulb and uses 75% less energy • Simply screw in to existing fixture – no adapter required • Fits any A19/E26/E27 fixture • Suitable for damp locations • 120° beam angle floods interior with light • Mercury-free • Rated for 50,000 hour life
- Instant on - no ballast to warm up • No buzzing or flickering • Unbreakable polycarbonate lens • 120-277VAC 60HZ • 100mA

Model No.	Watts	Lumens	Kelvins	Operating Temp	Description
VXS-LEDN10PC	10	1100	5000	-4°F to 105°F (-20°C to 41°C)	Complete Fixture with Bulb and Globe



## LED Appliance Bulb and Fixture For Reach-In Refrigerator Applications

- Replaces inefficient incandescent bulbs • 800 lumens (equivalent to 75W incandescent) • 1100 lumens (equivalent to 100W incandescent) • Simply screw in to existing fixture – no adapter required • Fits any A19/E26/E27 fixture • Suitable for damp locations • 120° beam angle floods interior with light • Mercury-free
- Rated for 50,000 hour life • Instant on - no ballast to warm up • No buzzing or flickering • Unbreakable polycarbonate lens • 90-277VAC 60HZ
- 100mA • Operating Temperature: -4°F (-20°C) to 105°F (41°C)

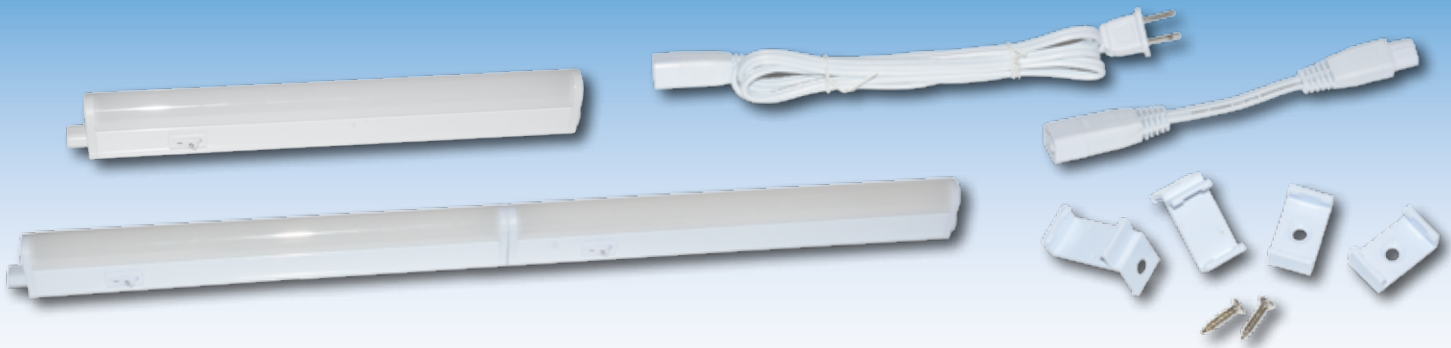


Model No.	Watts	Lumens	Color Temp (Kelvins)	Color Rendering Index
LED-PK100DD-C	10	800	Cool White 6500	Ra>80
LED-PK100DD-N		1100	Natural White 5000	

Model No.	Description
L20-1010-CL	Fixture Only with Clear Globe
L20-1010-N	Fixture Only with Milky Globe
L20-1010-L07C	Fixture with Cool White Bulb and Milky Globe



# Cooler-Freezer & Ambient Temperature Applications



## LED Line Voltage Linkable Rigid Lights for Refrigerated and Ambient Applications

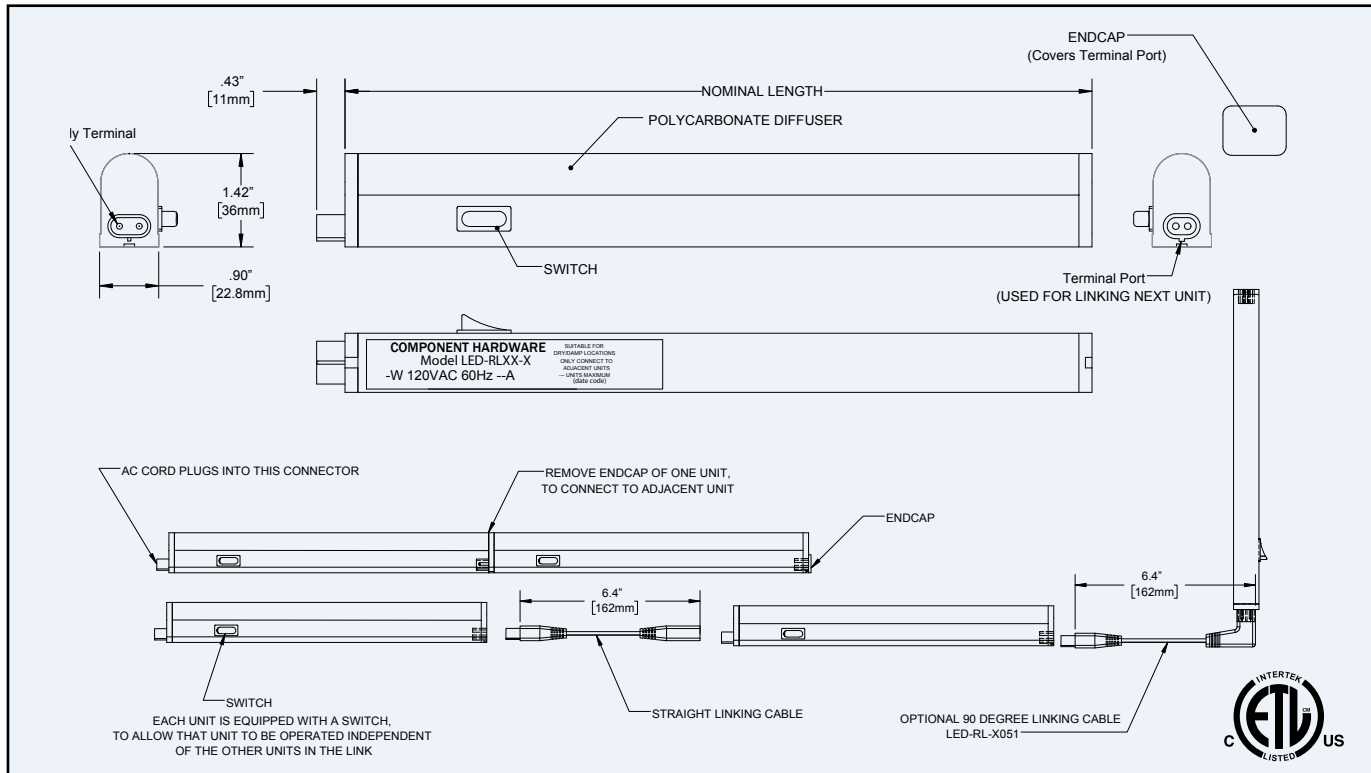
- Linkable low profile, high output, energy efficient LED lights • Operating temperature from -4°F to 105°F (-20°C to 40°C) • LED lamps reject little heat into refrigerated space • ETL listed • Corrosion-free, high impact polycarbonate housing • Instant-on, no ballast to warm up • Super slim, easy to install; mounting brackets included • Link up to maximum 250W of lights together for most flexibility • Mercury-free • 50,000+ hours rated life; reduces landfill waste; lowers maintenance costs • Exceeds Federal Energy Act requirement • Contributes to LEED® energy use reduction credits • Highest lumen output per watt available; surpasses that of conventional fluorescent and incandescent fixtures • High impact polycarbonate lens with ribs for maximum light dispersion
- No ultraviolet emission; does not attract insects

Model No.	Actual Length	Watts	Lumens	Max Linking (250W)	Current Consumption
LED-RL12-N*	10.91" (263mm)	4	300	62 Units	65mA
LED-RL16-N*	15.20" (370mm)	7	550	35 Units	110mA
LED-RL22-N*	21.18" (470mm)	9	720	27 Units	135mA
LED-RL34-N**	32.99" (515mm)	13	1050	19 Units	200mA
LED-RL45-N**	44.80" (560mm)	18	1550	13 Units	280mA
LED-RL57-N**	56.61" (764mm)	22	1800	11 Units	350mA

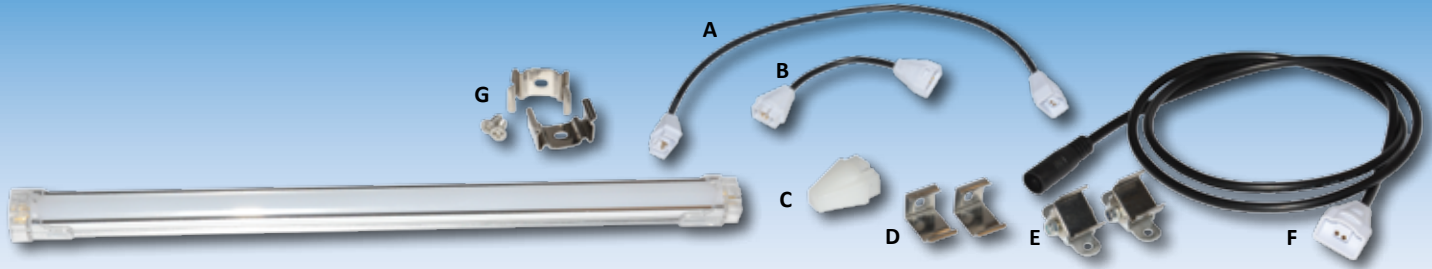


Ref.	Accessories	
A	LED-RL-X051	90° Linking Cable, 6" Long
B	LED-RL-X052	90° Power Cord, 36" Long
-	LED-RL-X051-12	12" Straight Linking Cable
-	LED-RL-X111	90° Power Cord, 12" Long

\*(2) clips of each style with screws included; \*\*(3) clips of each style with screws included  
 "N" designates Natural White color temperature; 4000K nominal



# Cooler-Freezer & Ambient Temperature Applications



## Ultra Slim Linkable LED Lights for Refrigerated and Ambient Applications

- Operating temperature from -4°F to 105°F (-20°C to 40°C) • LED lamps emit little heat into refrigerated space • Aluminum alloy housing with polycarbonate cover and end caps • All lights to be operated by remote driver (cables and driver sold separately) • Maximum connection length of fixtures is 20' (6m) • Lights can be linked directly together or with linking cable • Supplied with metal mounting clips and zinc plated steel flat head screws • 50,000+ hours rated life; reduces landfill waste; lowers maintenance costs • No ultraviolet emission; does not attract insects • Mercury-free • Contributes to LEED® energy use reduction credits
- Exceeds Federal Energy Act requirement • ETL listed

### Specifications

Model	Actual Length (L)	Initial Lumens	Current Consumption	Watts
LED-RR12-x	11.8" (300mm)	350	160mA	4
LED-RR18-x	17.7" (450mm)	540	250mA	6
LED-RR20-x	19.7" (500mm)	610	290mA	7
LED-RR30-x	30.5" (775mm)	790	375mA	10
LED-RR35-x	35.8" (910mm)	920	458mA	12
LED-RR40-x	39.4" (1000mm)	1040	540mA	13
LED-RR48-x	47.2" (1200mm)	1440	660mA	16

"x" designates color temperature:

C (Cool White) 6000K

N (Natural White) 4000K

W (Warm White) 3000K

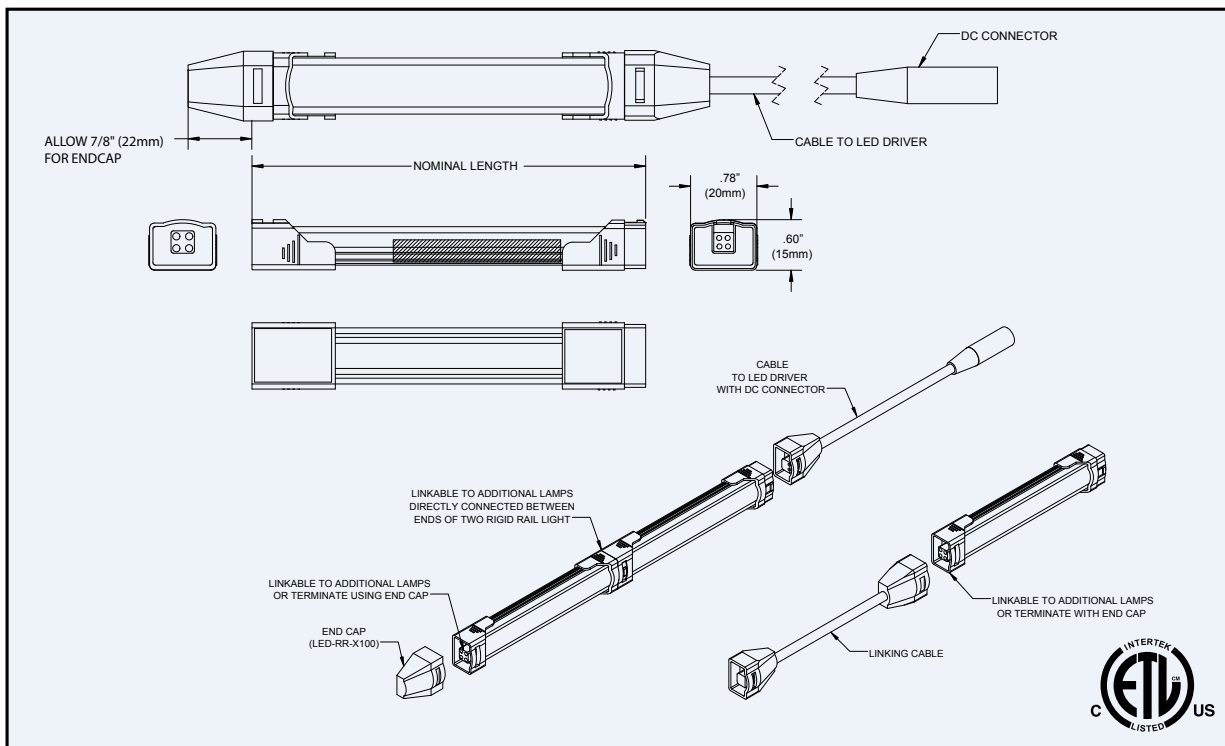


### Ref. Accessories

Ref.	Model	Description
A	LED-RR-X112	12" (305mm) Linking Cable
A	LED-RR-X139	39" (991mm) Linking Cable
B	LED-RR-X103	3" (76mm) Linking Cable
C	LED-RR-X100	End Cap to Terminate Last Fixture
D	LED-RR-X303	(2) Mounting Clips for 30° Mounting Angle
D	LED-RR-X304	(2) Mounting Clips for 45° Mounting Angle
E	LED-RR-X305	(2) Mounting Clips for Rotary Mounting
F	LED-RR-X201	12" (305mm) Cable from Rigid Bar to LED Driver w/DC Connector
F	LED-RR-X202	39" (991mm) Cable from Rigid Bar to LED Driver w/DC Connector
-	LED-RR-X203	12" (305mm) Cable from Rigid Bar to LED Driver w/Flying Leads
-	LED-RR-X204	39" (991mm) Cable from Rigid Bar to LED Driver w/Flying Leads
G	LED-RR-X302	(2) Mounting Clips Parallel to Mounting Surface (included)

### Drivers

Ref.	Model	Input Voltage	Amperage	Output	Max Fixtures	Cord Length
J	LED-RR-402	100 - 240VAC	4.0	96W	19 ft	48" Input/Output
K	LED-RR-401	100 - 240VAC	2.5	60W	12 ft	48" Input, 70" Output
L	LED-RR-400	100 - 240VAC	1.5	36W	7 ft	



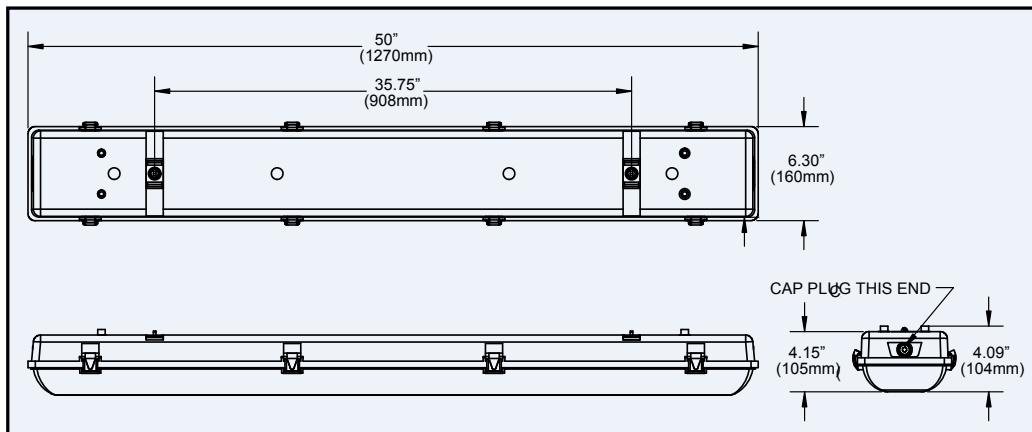
# Cooler-Freezer & Ambient Temperature Applications



## LED Vapor-Tight Strip Light Fixture for Walk-In Coolers & Freezers

- Color temperature is 5000° Kelvins • 100 - 277 VAC • LED strips reject little heat into refrigerated space • Corrosion-free, high impact reinforced polycarbonate housing • Instant on even in freezers; no ballast to warm up • Rated IP-65 for damp and wet locations • Operating Temp: -40°F to 122°F (-40°C to 50°C)
- Mercury-free • 50,000+ hours rated life; reduces landfill waste; lowers maintenance costs • Strips and driver replaceable without tools • Exceeds Federal Energy Act requirement • Contributes to LEED® energy use reduction credits • Molded acrylic ribbed diffuser disperses light evenly in a wide range

Model No.	Lens	Watts	Lumens	Lumens Per Watt
LED48X754-CL-N	Clear	50	7500	150
LED48X754-ML-N	Milky		6400	130





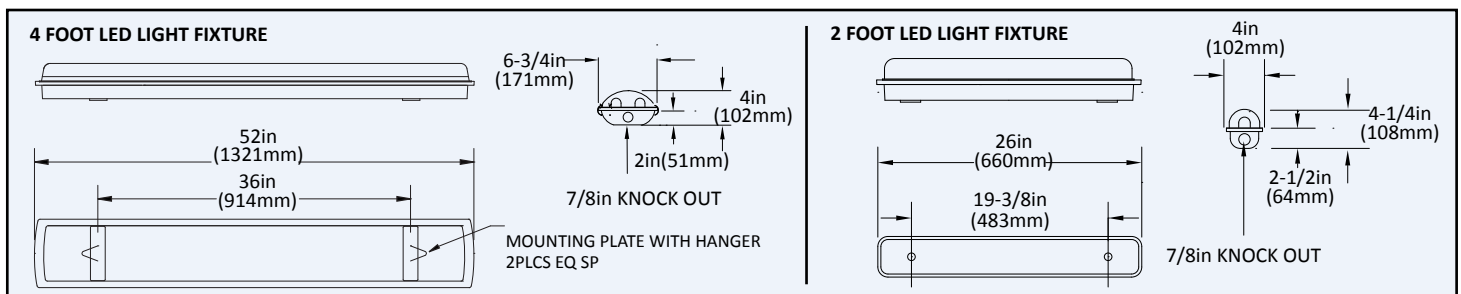
# Cooler-Freezer & Ambient Temperature Applications



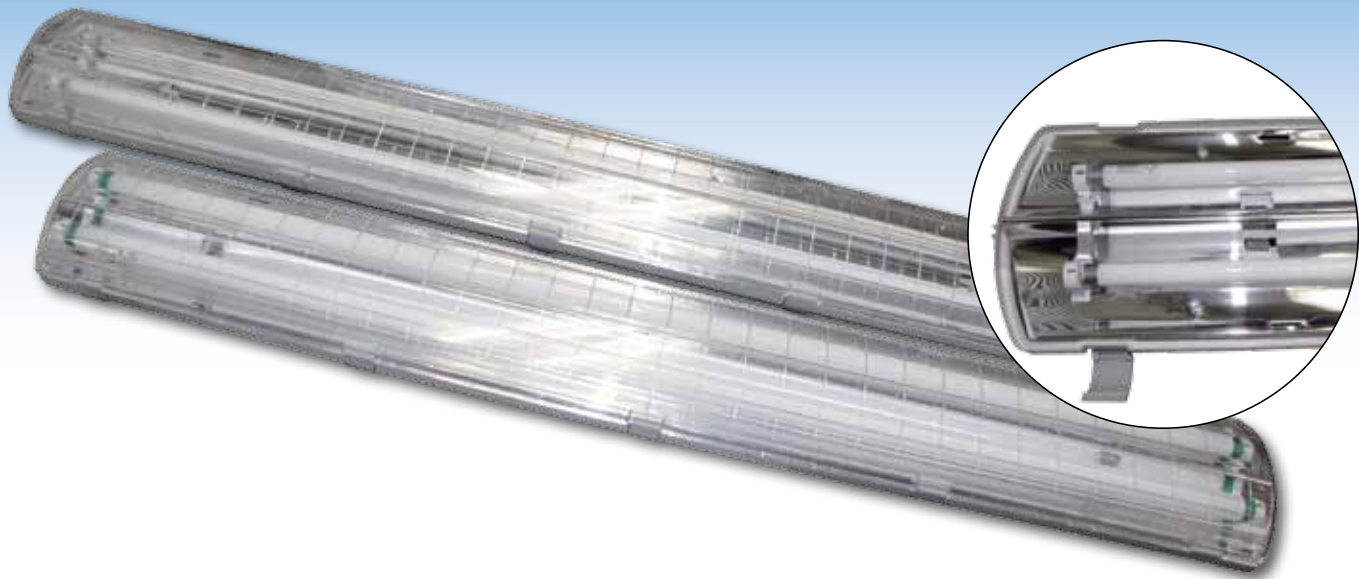
## LED Surface Mount Vapor-Tight Light Fixtures for Cooler/Freezer Applications

- Designed for use with removable LED lamps
- Resilient, one-piece silicone gasket rated IP-65 for damp & wet locations
- Superior highly-polished aluminum reflector improves light output
- Low profile design
- Corrosion-free, high impact polycarbonate housing
- Clear, high impact polycarbonate lens with ribs for max. light dispersion
- Supplied with NEC-approved luminaire disconnects
- Provided with stainless steel mounting hardware and European Type PG-16 conduit connector
- Bulb life rated 50,000 + hours
- 120-240VAC
- Operating temperature range -13°F to 104°F (-25°C to 40°C)

Model No.	LED Light-Complete	Rated Voltage	Amps	Watts	Color	Initial Lumens	Kelvins	Replacement Lamp
<b>4 FOOT LED LIGHT FIXTURE WITH (2) LAMPS</b>								
LED48X62221W	48" (1219mm), (2) 22W LAMPS, 120V	120-240VAC	0.44	44	Warm White	3000	6000K - 6500K	LED-212122W
LED48X62221N	48" (1219mm), (2) 22W LAMPS, 120V				Natural White	3250	6000K - 6500K	LED-212122N
LED48X62221C	48" (1219mm), (2) 22W LAMPS, 120V				Cool White	3470	4000K - 4500K	LED-212122C
LED48X6218C	48" (1219mm), (2) 18W LAMPS, 120-277V	120V	0.38	36		2894	3000K - 3500K	LED-212018-C
<b>2 FOOT LED LIGHT FIXTURE WITH (1) LAMP</b>								
LED24X419C	24" (610mm), (1) 9W LAMP, 120-277V	120-240VAC	0.1	9	Cool White	850	6000K - 6500K	LED-212009C



# Cooler-Freezer & Ambient Temperature Applications

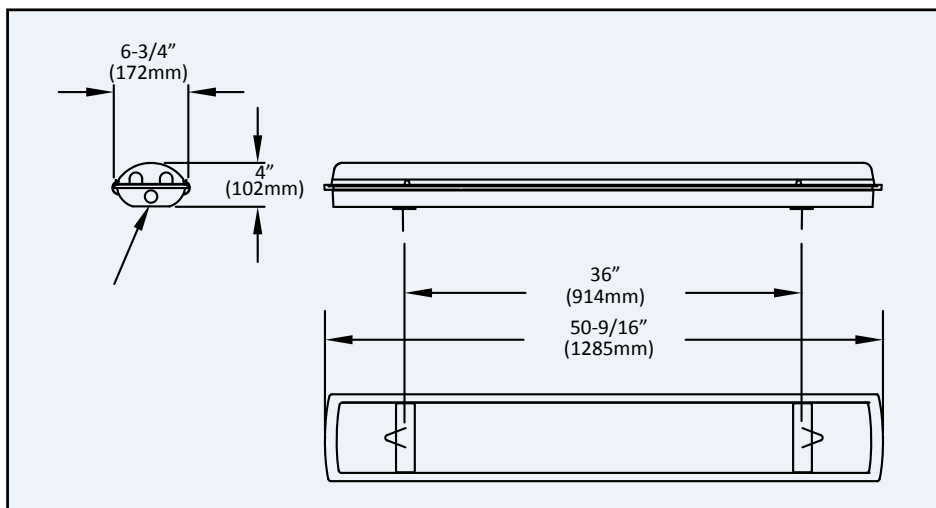


## Economical Low Profile Cooler-Freezer Light Fixtures

- Energy efficient high power factor T-5 HO electronic ballasts reduce operating costs and power consumption
- Light fixtures generate less heat, reducing the cost to maintain low operating temperatures • Minimum operating temperature for freezer applications is 0°F (-18°C) for the T5 ballast
- Resilient, one piece silicone gasket rated IP-65 for damp and wet locations
- Superior highly-polished reflector improves light output
- Corrosion free high impact polycarbonate housing
- Clear, high impact polycarbonate lens
- Supplied with NEC approved luminaire disconnects
- Provided with stainless steel mounting hardware and European Type PG-16 conduit connector

Model No.	Lamps	Voltage
CFL-36U54X2T5	(2EA.) F54T5HO	UNV= 120 -277V, 50-60 Hz

NOTE: LAMPS NOT PROVIDED - REPLACEMENT BULBS AVAILABLE, ORDER AS CFL-5EH54W841



# Cooler-Freezer & Ambient Temperature Applications

## VXS-CFL Series Surface Mount Compact Fluorescent Refrigeration Lighting Fixture

- Exceptional Light Output - 26W lamp produces 1650 lumens (over 60 lumens output per watt)
- Energy Efficient – 26W compact fluorescent lamp uses approximately 75% less energy than a standard 100W incandescent bulb
- COST EFFICIENT – Compact fluorescent lamp lasts up to 10 times longer than standard incandescent bulbs, resulting in lower operating and maintenance costs
- Long Lamp Life – up to 10,000 hours
- UL listed – suitable for damp locations
- BULB has integral rapid start electronic ballast with flicker-free performance
- Uses standard GU24 bi-pin base compact fluorescent lamps
- 2 year manufacturer's warranty on bulbs
- Ideal for Walk-In Cooler applications



Model No.	Description
VXS-CFL-G	Light Fixture w/Clear Glass Globe & CFL Bulb
VXS-CFL-PX	Light Fixture w/Clear Plastic Coated Glass Globe & CFL Bulb
VXS-CFL-PC	Light Fixture w/Clear Polycarbonate Globe & CFL Bulb

\* REPLACES KASON #1806 WITH COMPONENT HARDWARE QUALITY HARDWARE



### SPECIFICATIONS

<b>LAMP BASE:</b>	GU24 Bi-Pin
<b>BALLAST TYPE:</b>	Electronic, Instant start (in bulb)
<b>WATTAGE:</b>	26W Compact fluorescent lamp Included
<b>VOLTAGE:</b>	120V AC, 50/60Hz
<b>BALLAST OPERATING TEMP. RANGE:</b>	0°F (-18°C) to 100°F (38°C)**
<b>LIGHT OUTPUT COLOR:</b>	2700K (CRI = 84)
<b>FIXTURE BODY &amp; JUNCTION BOX:</b>	Die cast aluminum
<b>GASKETS:</b>	Cork and composition fiber
<b>OVERALL SIZE:</b>	3-3/8" (85mm) diameter, 8-7/8" (226mm) long
<b>CONDUIT ENTRY:</b>	1/2" NPS (4) side openings and (1) top opening. Threaded metal plugs are provided for openings not being utilize.

\*\*Max ballast case temp 194°F (90°C)

## VXS Series Surface Mount Incandescent Refrigeration Lighting Fixture

- Suitable for damp locations
- Enclosed and gasketed



UL Model No.	CSA Model No.	Description
VXS-100-GL (NSF LISTED)	VXS-CSA-GL	Furnished w/ Glass Globe
VXS-100-PX (NSF LISTED)	VXS-CSA-PX	Furnished w/ Plastic Coated Glass Globe
VXS-100-PC (NSF LISTED)	VXS-CSA-PC	Furnished w/ Polycarbonate Globe
VXS-100-GL-WG	VXS-CSA-GL-WG	Furnished w/ Glass Globe and Wire Guard
VXS-100-PX-WG	VXS-CSA-PX-WG	Furnished w/ Plastic Coated Glass Globe and Wire Guard

\*REPLACES KASON #1802, 1803, AND 1804 WITH COMPONENT HARDWARE QUALITY HARDWARE

### SPECIFICATIONS

<b>FIXTURE BODY:</b>	Die cast aluminum
<b>JUNCTION BOX:</b>	Die cast aluminum
<b>SOCKET:</b>	Porcelain body with copper shell
<b>WATTAGE:</b>	Accepts standard 100 watt A19 bulb (not furnished)
<b>VOLTAGE:</b>	Rated up to 120 volts
<b>GASKETS:</b>	Cork and composition fiber
<b>GLOBE:</b>	Clear lime glass or clear plastic coated lime glass or clear impact resistant polycarbonate
<b>WIRE GUARD:</b>	Plated steel
<b>CONDUIT ENTRY:</b>	1/2" NPS (4) side openings and (1) top



\*May not be identical to competitors' products.

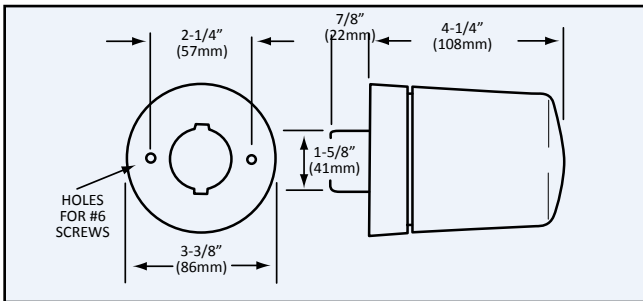
# Cooler-Freezer & Ambient Temperature Applications



## Refrigeration Light Fixture

- Specifically designed for reach-in refrigerators and smartly styled
- Accommodates a 40W max appliance bulb\* or a 50W max LED bulb\*\*

Model No.	Description	Replacement Globe
<b>L20-1010*</b>	Complete Fixture with Clear Globe	<b>L20-X004-CL</b>
<b>L20-1010-CL**</b>	Complete Fixture with Clear Globe	<b>L20-X004-CL</b>
<b>L20-1010-CSA*</b>	Complete Fixture For CSA Applications	



### SPECIFICATIONS:

- HOUSING:** Die cast aluminum with #4 satin finish  
**GLOBE:** Impact resistant clear polycarbonate  
**SOCKET:** Porcelain (snap-in type) furnished with wire leads & ground 1/4" (6mm) spade terminals available upon request.

MTG. SURFACE REQUIRES 1-3/4" (45mm) HOLES FOR BACK OF LAMP HOLDER



## Shatter Proof "TUFF COAT" Appliance Bulbs

- Shatter Proof Coating
- Does Not Burn, Does Not Brown

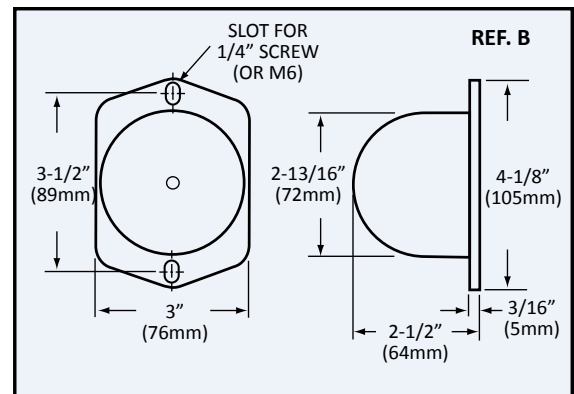
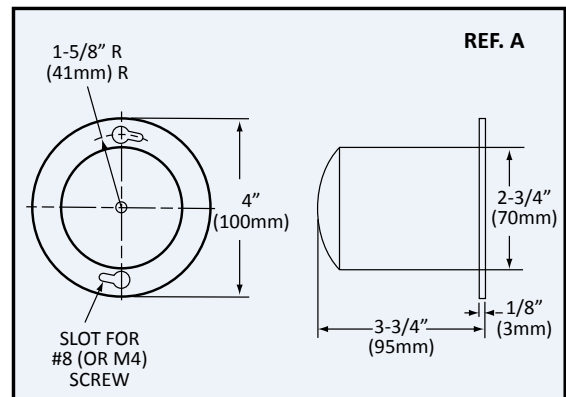
Model No.	Description
<b>R79-0040</b>	40 Watt, 120V
<b>R79-0220</b>	40 Watt, 230V



## Lite-Guard Plastic Bulb Protectors

- Transparent, unbreakable, non-toxic
- Provides maximum protection for 40 watt appliance bulbs in reach-in refrigerators and freezers
- Lite-guard is unaffected by low temperature and will not stain or discolor when in contact with food acids

Ref.	Model No.	Description
<b>A</b>	<b>L20-2778</b>	Bulb Guard, Large
<b>B</b>	<b>L20-2779</b>	Bulb Guard, Small

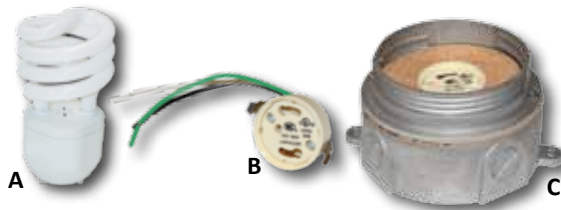


# Cooler-Freezer & Ambient Temperature Applications



## VXS Replacement Parts

Ref.	Model No.	Description
A	L10-X006	Globe, Clear Glass
B	L10-X007	Globe, Clear Plastic Coated Glass
C	L10-X008	Globe, Clear Polycarbonate
D	L10-X020	Wire Guard
E	L10-X026	Porcelain Socket Complete with Copper Shell
F	L10-Y005	Junction Box Complete with (4) 1/2" NPS Conduit Openings and Threaded Plugs
G	L10-Y010	Junction Box Assembly Complete with Lamp Housing
H	L10-Y016	Lamp Housing Complete with Porcelain Socket and Requires Gaskets



## VXS-CFL Lighting Fixture Replacement Parts

Ref.	Model No.	Description
A	VXS-CFL-X007	26W Spiral Compact Fluorescent Replacement Lamp (48/case)
B	VXS-CFL-X026	GU24 Bi-Pin Base
C	VXS-CFL-Y010	Junction Box Assembly Complete with Lamp Housing



## LED Surface Mount Replacement Bulbs

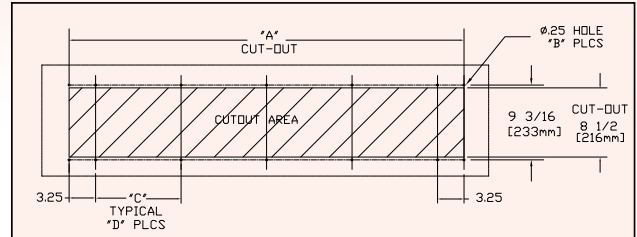


Model No.	Description
LED-212009C	9W Tubular LED Bulb, 2-Ft, Cool White
LED-212122C	22W Tubular LED Bulb, 4-Ft, Cool White
LED-212122N	22W Tubular LED Bulb, 4-Ft, Natural White
LED-212122W	22W Tubular LED Bulb, 4-Ft, Warm White
LED-212018-C	18W Tubular LED Bulb, 4-Ft, Cool White

# Hot Temperature Canopy Hood Applications

## LED Complete Light Fixtures and Retro-Fit Kits For Exhaust Kitchen Hoods

- Listed for up to 75°C (167°F) operation • 100 - 277VAC • Color Rendering Index > 80 • Meets all requirements of NFPA 96 and NEC 410
- LED lamps contain no mercury or other hazardous materials • Contributes to LEED® energy use reduction credits • 50,000 hour lamp life
- Highest efficacy per watt (100 lumens/watt) available - Exceeds Federal Energy Act requirements • Instant on, no ballast to warm up
  - No ultraviolet rays: Does not attract insects • Current: 0.25A @ 120VAC



## LED-L82 SERIES

- Listed for up to 75°C (167°F) operation • Highest efficacy (lumens/watt) available • Only 4-1/4" high for limited clearance applications • Color Rendering Index > 80
- Instant on, no ballast to warm up • Recess mount installation • One piece satin finish stainless steel trim • Tempered, prismatic glass diffuser

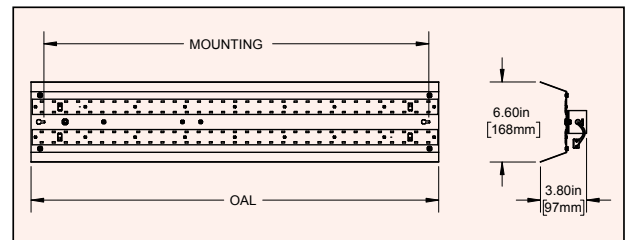
Model No.	Color Temp	Watt	Lumens/Watt	Kelvins	Total Light Output (Lumens)	Current	Overall Trim Size	"A" Cut Out	"B" Holes	"C" Spacing	"D" Each Side
LED-L82-1030-40N	Natural	43	>72	4000	4228	0.43-0.16A @	10-1/4" x 38-1/4" (260mm x 972mm)	36-1/2" (927mm)	14 total	7-1/2" (191mm)	4 places
LED-L82-1030-40W	Warm			3000	4135	100-277VAC					
LED-L82-1040-50N	Natural	53	>72	4000	4925	0.53-0.19A @	10-1/4" x 50-1/4" (260mm x 61276mm)	48-1/2" (1232mm)		10-1/2" (267mm)	
LED-L82-1040-50W	Warm			3000	4877	100-277VAC					



## LED-L82 RETROFIT KITS

- Easily convert older L82 Series fluorescent or bulb-style LED fixtures to LED strip technology for improved performance and energy savings • 100-277 VAC

Model No.	Color Temp	Watt	Kelvins	Current	Mounting	OAL
LED-L82-RF1030-40N	Natural	43	4000	0.43-0.16A @	31.75"	33.62"
LED-L82-RF1030-40W	Warm		3000	100-277VAC	(807mm)	(854mm)
LED-L82-RF1040-50N	Natural	53	4000	0.53-0.19A @	43.75"	45.62"
LED-L82-RF1040-50W	Warm		3000	100-277VAC	(1111mm)	(1159mm)



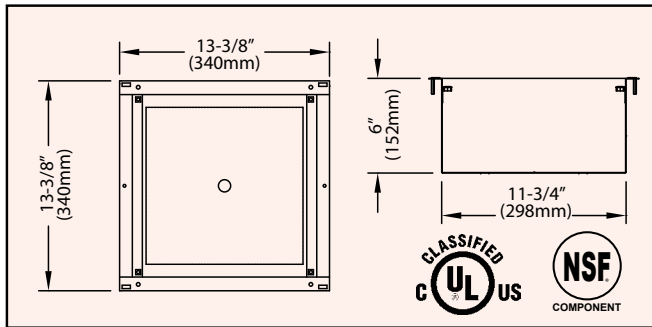
# Hot Temperature Canopy Hood Applications



## LED-L87 SERIES

- Listed for up to 75°C (167°F) operation • Highest efficacy (lumens/watt) available • Instant on, no ballast to warm up • Color Rendering Index > 80
- Recess mount installation • Only 6" high for limited clearance applications
  - One piece satin finish stainless steel trim matches hood interior
  - \* 100-277 VAC • Tempered, prismatic glass diffuser • 5 year warranty

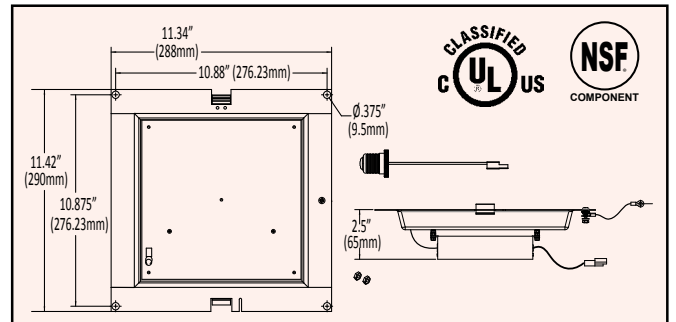
Model No.	Mtg Studs	Color Temp	Watts	Kelvins	Total Light Output
<b>LED-L87-1004-30N</b>	4	Natural	30	4000	2880 Lumens
<b>LED-L87-1008-30N</b>	8			3000	
<b>LED-L87-1004-30W</b>	4	Warm	30	4000	2880 Lumens
<b>LED-L87-1008-30W</b>	8			3000	



## LED-L87 RETROFIT KITS

- Easily convert older L87 Series fluorescent or bulb-style LED fixtures to LED strip technology for improved performance and energy savings
- 100-277 VAC

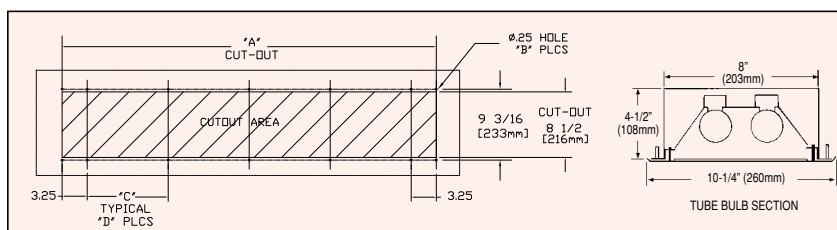
Model No.	Mtg Studs	Color Temp	Watts	Kelvins	Total Light Output
<b>LED-L87-1030N</b>	4	Natural	30	4000	3860 Lumens
<b>LED-L87-1030W</b>		Warm		3000	



## LED Tube Bulb Recessed Light Fixtures for Exhaust Kitchen Hoods

- Designed for use with removable LED lamps • Lamps consume less than 5.5 watts per foot • Max operating temp 80°C (176°F)
- Contributes to LEED® energy use reduction credits • Highest lumen output per watt available • Recess mount installation
  - Only 4-1/2" high for limited clearance applications • 100-240 VAC

Model No.	Length	Watts	Lumens	Kelvins	Overall Trim Size	"A" Cut Out	"B" Holes	"C" Spacing	"D" Each Side
<b>L82-1020-L09W</b>			1800	2800 - 3500					
<b>L82-1020-L09N</b>	24"	22	1900	4000 - 5000	10-1/4" x 26-1/4" (260mm x 667mm)	24-1/2" (622mm)	12 total	6" (152mm)	3 places
<b>L82-1020-L09C</b>			2000	5500 - 6500					



# Hot Temperature Canopy Hood Applications



## LED Light for Exhaust Kitchen Hoods

- Only UL Listed Edison-base LED bulb rated to 85°C (185°F)
- Improved design with internal switch to provide thermal protection
- 120 degree beam angle floods the workspace with light • 85 to 277 VAC
- Exceeds Federal Energy Act requirement • Unbreakable polycarbonate enclosure

DESIGN PATENT NUMBER D715,463 S – PATENT PENDING

Model No.	Watts	Lumens	Kelvins	Max Operating Temp*
<b>LED-40000N-B</b>				
<b>LED-40000N-P**</b>				
<b>LED-40001N</b> (includes globe)	12	960	4000 - 4500	85°C (185°F)
<b>LED-40000W-B</b>		930	2800 - 3000	

\*Bulb performance is not guaranteed if exposed to temperatures above 85°C

\*\*In blister pack for POS display

## LED-40000 Bulbs Complete with Light Fixture

Model No.	Globe	Watts	Lumens	Kelvins
<b>L55-LEDN-1004</b>	Coated Glass	12	960	4000
<b>L55-LEDW-1004</b>			930	2800
<b>L55-LEDN-1024</b>	Coated Glass, Wire Guard	12	960	4000
<b>L55-LEDW-1024</b>			930	2800
<b>L55-LEDN-2004</b>	Tempered Glass	12	960	4000
<b>L55-LEDW-2004</b>			930	2800
<b>L55-LEDN-2024</b>	Tempered Glass, Wire Guard	12	960	4000
<b>L55-LEDW-2024</b>			930	2800

UL Listed to 80°C (176°F)



## Recess Mount Perimeter LED Light for Exhaust Kitchen Hood Plenums

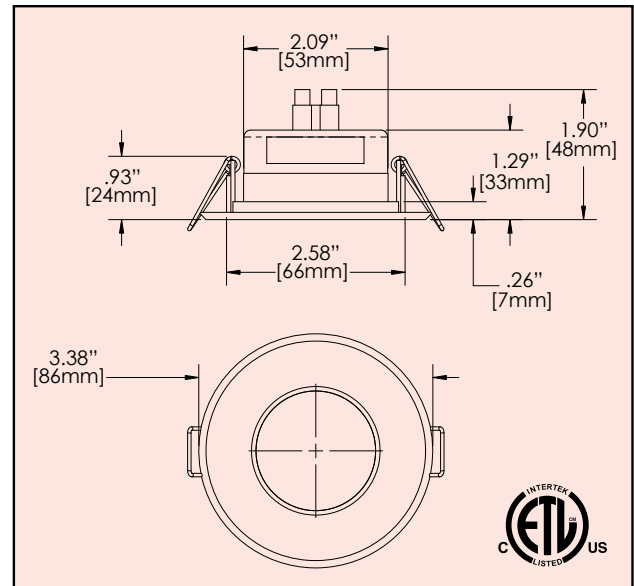
- Satin chrome finish bezel matches hood • 50,000 hour rated lamp life • 120° beam angle floods the workspace with light • 100 to 240 VAC (non-dimmable) • 100-130 VAC (dimmable)

Model No.	Watts	Lumens	Kelvins	Type	Operating Temp
<b>LED-PL35-W</b>	4	290	3000	Non-Dimmable	-4°F to 104°F
<b>LED-PL35-DIM-W</b>				Dimmable	(-20°C to 40°C)

Cut-out size required - 2.75" (70mm)

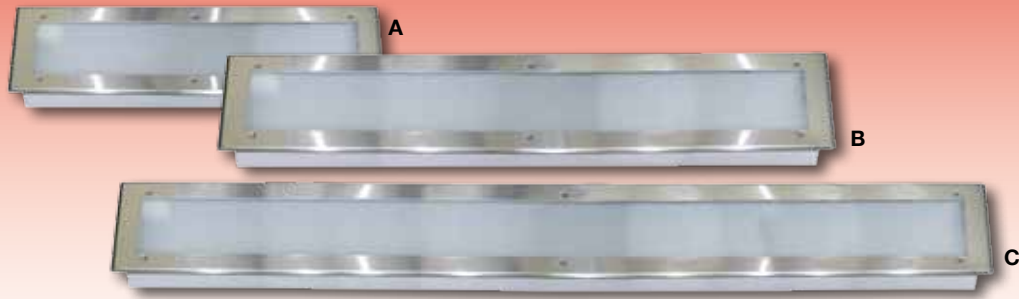
Notes: Supplied with 48" (1220mm) 18AWG wires. Not supplied with a dimmer switch.

Black coated leads for non-dimmable model. White coated leads for dimmable model.





# Hot Temperature Canopy Hood Applications



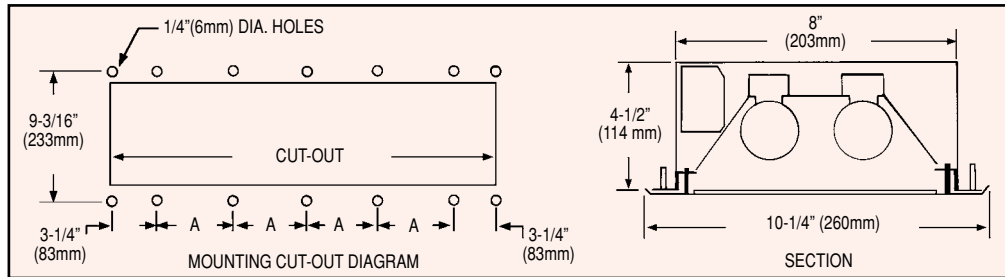
## Recessed Fluorescent Kitchen Hood Light Fixtures

- NSF Listed, UL Listed E250943 for use in commercial cooking hoods • Listed to 75°C (167°F)
- Meets all requirements for NFPA 96 and N.E.C. 410 • Only 4-1/2" (114mm) high for limited overhead clearance applications
- Tempered, prismatic glass diffuser with one piece satin finished stainless steel face frame to match hood interior

REF	Model No.	Lamps Req'd	Overall Trim Size	Cut-Out Size	Holes Req'd	Dim. A
A	L82-1020	(2) F17T8	10-1/4" x 26-1/4" (260mm x 667mm)	8-1/2" x 24-1/2" (216mm x 622mm)	12	6" (152mm)
B	L82-1030	(2) F25T8	10-1/4" x 38-1/4" (260mm x 972mm)	8-1/2" x 36-1/2" (216mm x 927mm)	14	7-1/2" (191mm)
C	L82-1040	(2) F32T8	10-1/4" x 50-1/4" (260mm x 1276mm)	8-1/2" x 48-1/2" (216mm x 1232mm)	14	10-1/2" (267mm)

### SPECIFICATIONS

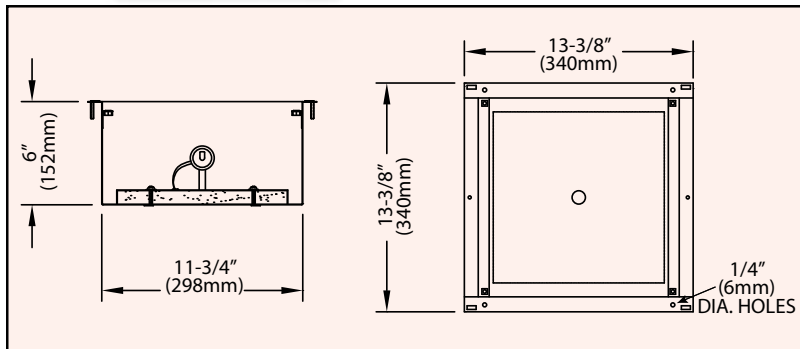
- BALLAST:** Universal 120-277v, 50 or 60 Hz, T8, UL Listed
- LAMPS:** T8 Fluorescent lamps (not furnished)
- BODY:** Steel with baked white enamel finish
- MOUNTING:** #10-32 x 3/4" (19mm) long threaded studs
- REFLECTOR:** Baked white enamel finish... providing a minimum of 87% diffused reflection
- DIFFUSER:** Crystal 73 tempered prismatic glass with prisms on inside of fixture, mounted into a stainless steel face frame with special sealing gasketing. Secured to fixture body with stainless steel screws for easy servicing.



## Recessed Kitchen Exhaust Hood Light Fixture

- UL Listed E253411 and certified for Canada for use in commercial cooking hoods
- Meets all requirements for NFPA 96 and N.E.C. 410 • NSF Listed • Tempered, prismatic glass diffuser
- Satin finished stainless steel face frame to match hood interiors

Model No.	Overall Trim Size	Cut-Out Size	Holes Req'd
L87-1004	13-7/8" Sq.	12" Sq.	4



### SPECIFICATIONS

- SOCKET:** Side mounted porcelain medium base
- WATTAGE:** Accepts standard Edison base bulb (not furnished)
- VOLTAGE:** Rated up to 120 Volts
- DIFFUSER:** Crystal 73 tempered prismatic glass with prisms on inside of fixture
- FACEPLATE:** One piece, stainless steel with smooth satin finish
- LOCKUP:** (4) captive stainless steel screws
- RETAINER:** Twin spring and cable for faceplate and frame
- REFLECTOR:** Die formed aluminum with satin finish
- WIRING:** Connections to socket are made in the interior removable thermal insulated wiring chamber
- BODY:** Steel recessed housing with baked white enamel finish
- MOUNTING:** (4) #10-24 x 3/4" (19mm) long threaded studs



# Hot Temperature Canopy Hood Applications



## E-Z Mount Incandescent Kitchen Exhaust Hood Lighting Fixtures

\*"TUFF-SKIN" coating eliminates hot spot browning and discoloration of globe

- UL Listed to 80°C (176°F) • Prevents glass shatter from impact, dropping, unusual stresses and thermal shock
  - Scratch resistant • U.S.D.A. approved • Improves light source by providing better diffusion
- E-Z Mount feature allows for quick installation • Permanently affixed gaskets cut installation time
- Meets all requirements for NFPA 96 and N.E.C. 410 • Greaseproof, waterproof and heatproof construction

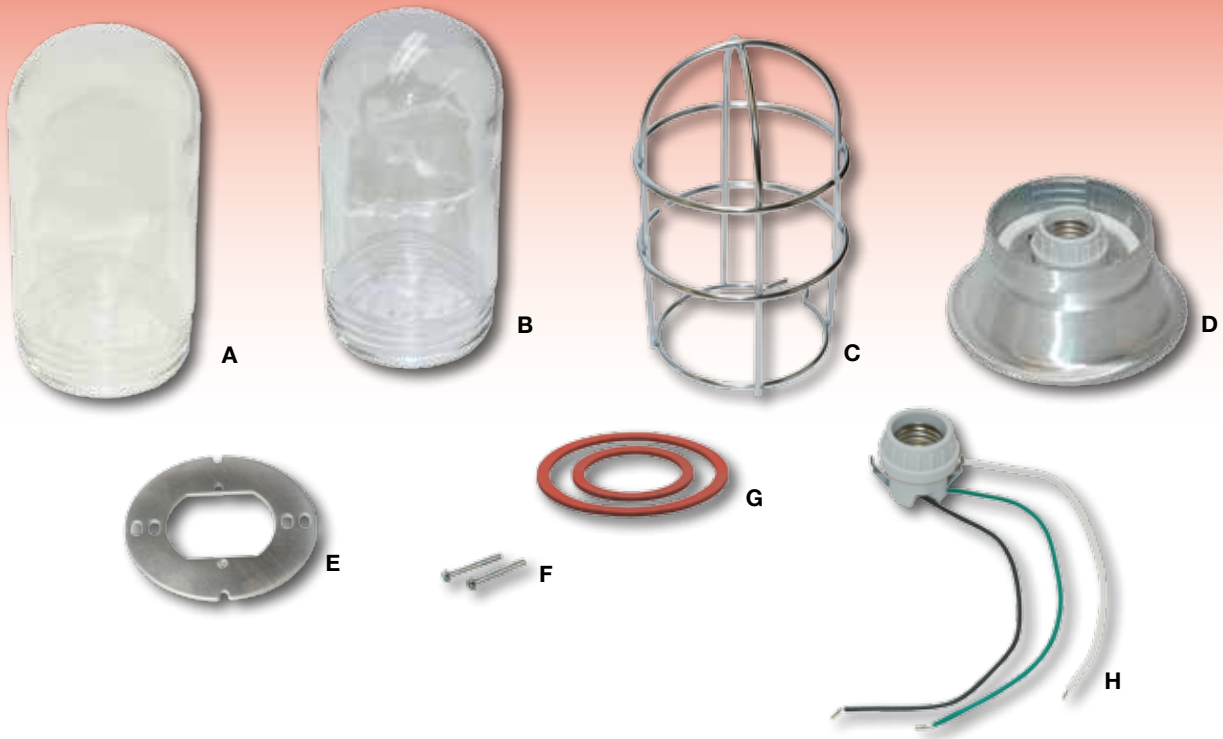
Model No.	Description
L55-1004	Furnished with TUFF-SKIN* Coating; Thermal and Shock Resistant Tempered Glass Globe
L55-1004-CSA	Furnished with TUFF-SKIN* Coating; Thermal and Shock Resistant Tempered Glass Globe; CSA Certified
L55-1004-HT	Furnished with TUFF-SKIN* Coating; Thermal and Shock Resistant Tempered Glass Globe; Lamp Holder Wires Rated to 392°F (200°C), 600V; Insulation: Silicone Rubber with Treated Glass Bead Sleeving
L55-1024	Furnished with TUFF-SKIN* Coating; Thermal and Shock Resistant Tempered Glass Globe; Includes Wire Guard
L55-1024-CSA	Furnished with TUFF-SKIN* Coating; Thermal and Shock Resistant Tempered Glass Globe; CSA Certified; Includes Wire Guard
L55-1024-HT	Furnished with TUFF-SKIN* Coating; Thermal and Shock Resistant Tempered Glass Globe; Lamp Holder Wires Rated TO 392°F (200°C), 600V; Insulation: Silicone Rubber with Treated Glass Bead Sleeving; Includes Wire Guard
L55-2004	Furnished with Thermal and Shock Resistant Tempered Glass Globe
L55-2004-CSA	Furnished with Thermal and Shock Resistant Tempered Glass Globe; CSA Certified
L55-2004-HT	Furnished with Thermal and Shock Resistant Tempered Glass Globe; Lamp Holder Wires Rated to 392°F (200°C), 600V; Insulation: Silicone Rubber with Treated Glass Bead Sleeving
L55-2024	Furnished with Thermal and Shock Resistant Tempered Glass Globe; Includes Wire Guard
L55-2024-CSA	Furnished with Thermal and Shock Resistant Tempered Glass Globe; CSA Certified; Includes Wire Guard
L55-2024-HT	Furnished with Thermal and Shock Resistant Tempered Glass Globe; Lamp Holder Wires Rated to 392°F (200°C), 600V; Insulation: Silicone Rubber with Treated Glass Bead Sleeving; Includes Wire Guard

### SPECIFICATIONS

<b>FIXTURE BODY:</b>	Die cast aluminum with brushed finish
<b>SOCKET:</b>	Porcelain body with copper shell
<b>WIRE LEADS:</b>	Standard - 16 awg, 6" (152mm) long Hi-temp - 14 awg, 9" (229mm) long
<b>GROUND LEAD:</b>	6" (152mm) long green colored 18 awg wire
<b>WATTAGE:</b>	Accepts standard 100 watt A19 bulb (not furnished)
<b>VOLTAGE:</b>	Rated up to 120 volts
<b>GASKETS:</b>	Silicone
<b>OVERALL SIZE:</b>	5-3/8" (136mm) and 8-11/32" (212mm) long
<b>JUNCTION BOX:</b>	Not furnished. Fixture is designed to accept any standard 3-1/2" (89mm) or 4" (102mm) junction box

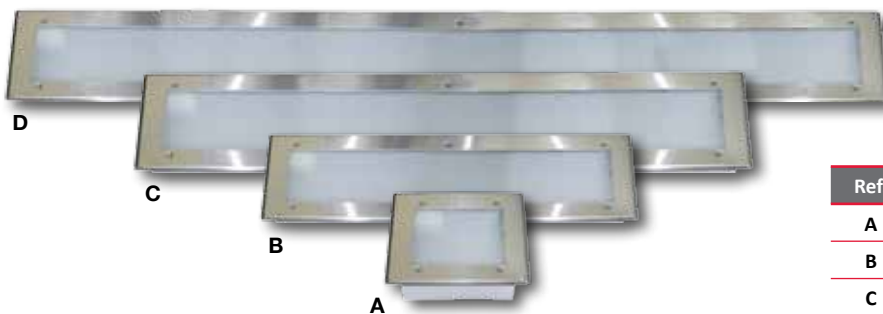


# Hot Temperature Canopy Hood Applications



## L55 Series Replacement Parts

Ref.	Model No.	Description
A	L50-X011	Globe, Furnished with TUFF-SKIN Coating; Thermal and Shock Resistant Tempered Glass
B	L55-X022	Globe, Furnished with Thermal and Shock Resistant Tempered Glass
C	L10-X020	Wire Guard
D	L55-Y001	Lamp Housing Assembly; Includes Porcelain Socket and Required Silicone Gasket
	L55-Y001-CSA	Lamp Housing Assembly; Includes Porcelain Socket and Required Silicone Gasket; CSA Certified
	L55-Y001-HT	Lamp Housing Assembly; Includes Porcelain Socket and Required Silicone Gasket; Lamp Holder Wires Rated to 392°F (200°C), 600V; Wire Leads 14AWG, 9" (229mm) Long Stripped End. Insulation: Silicone Rubber with Treated Glass Bead Sleeving
E	L50-X009	Adapter Plate
F	L55-X006	Screw
G	L50-Y001	Gasket Set
	L55-X003	Porcelain Socket
H	L55-X003	Porcelain Socket
	L55-X003-HT	Porcelain Socket; Wires Rated to 392°F (200°C), 600V; Wire Leads 14AWG, 9" (229mm) Long Stripped End. Insulation: Silicone Rubber with Treated Glass Bead Sleeving; Includes Wire Guard



## L82/L87 Series Replacement Parts

Ref.	Model No.	Description
A	L87-Y001	12" Square Lens and Frame
B	L82-Y001	2' Lens and Frame
C	L82-Y002	3' Lens and Frame
D	L82-Y003	4' Lens and Frame

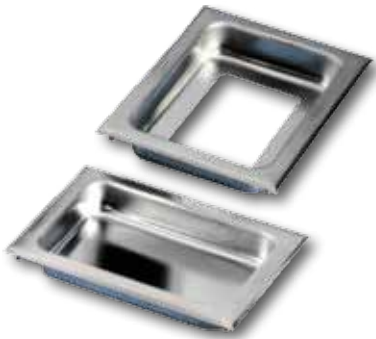
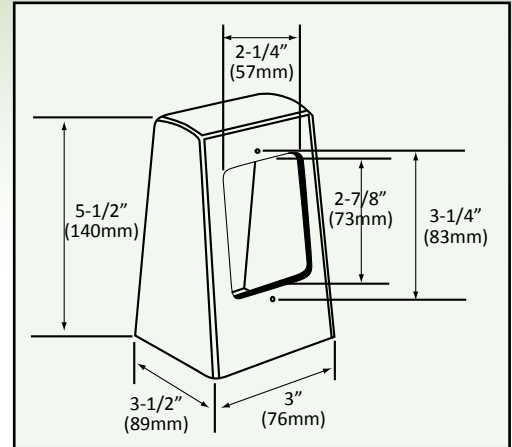
# Electrical Outlet Components



## Cast Aluminum Electric Outlet Boxes

- Brushed satin finish
- For 3/4" NPS or 1/2" NPS (adaptor provided)
- Ground screw provided
- U.L. Listed #48 C6

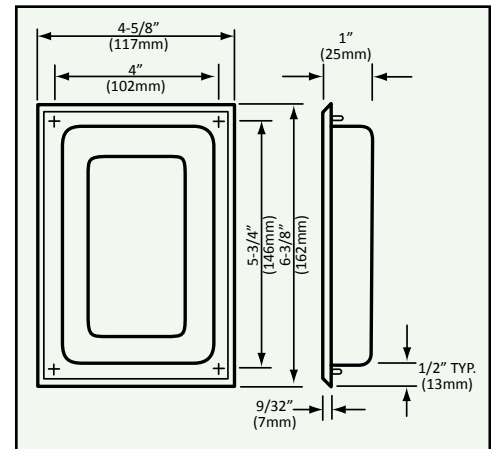
Model No.	Description
R58-1010	Single Faced
R58-1020	Double Faced



## Stainless Steel Recessed Housings

- Internal covered corners
- Provided with (4) 10-24 mounting studs
- Accepts standard J-box for tack welding

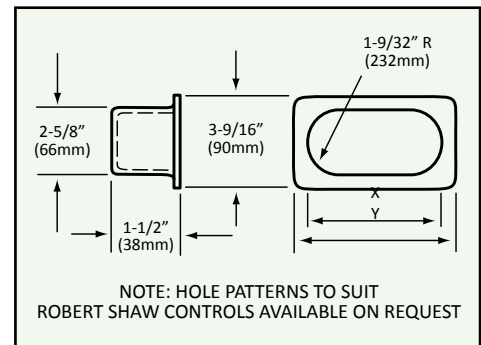
Model No.	Description
R73-1210	For "J" Mounting Box
R73-1212	For Control Switch Application (without cutout)



## Stainless Steel Control Panels

- Three sizes available

Model No.	"X" Dim.	"Y" Dim.
R73-2201	5" (127mm)	6" (152mm)
R73-2202	8-5/16" (211mm)	9-5/16" (236mm)
R73-2203	11-3/4" (298mm)	12-3/4" (324mm)



# Electrical Outlet Components



## Pilot Light Switch

Model No.	Description
<b>R65-3228</b>	Neon Lite "T" Rated Single Pole



## Flush Duplex Receptacle

- 3 wire "U" ground 125 Volts

Model No.	Description
<b>R69-1630</b>	15 Amps
<b>R69-1631</b>	20 Amps
<b>R69-1632</b>	30 Amps - Single Receptacle



## Contact Switches

- Normally Closed (ON) Momentary Contact
- Ratings: .25 AMPS 250V, .75 AMPS 125V

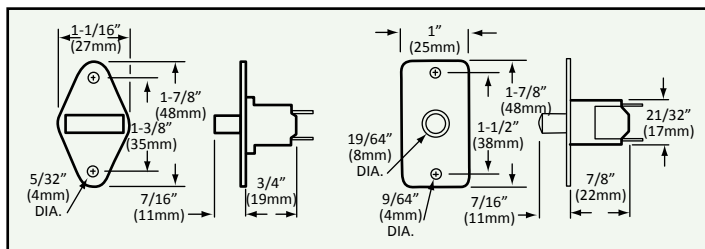
Model No.	Description
<b>R62-8406</b>	Rocker Style with Bakelite Rocker Arm
<b>R61-8410</b>	SPST Push Button Style with Backlite Plunger



## Cover Plates

- Stainless steel

Model No.	Description
<b>R70-0720</b>	Toggle Switch Plate
<b>R71-0721</b>	Duplex Receptacle Plate
<b>R70-0723</b>	Blank Plate







## Benefits of LEDs

- **Long Life** - LED bulbs are rated at 50,000 hours - 5 times longer than fluorescents.
- **Durability** - LEDs are encased in high impact plastic so they are practically unbreakable and unlike fluorescents, they are not affected by frequent on/off cycling.
- **Low Operating Temperature** - Light is produced by diodes, which emit very little heat - on average 3.4 BTUs/hr. They stay cool to the touch and do not significantly increase the temperature of the ambient space.
- **Environmental Safety** - No mercury is used in the manufacturing of LEDs. There are no special hazardous material procedures required for disposing of spent bulbs.
- **Energy Efficiency** - LED lamps produce 10 times more light (lumens) per watt than incandescents and operate on wattages similar to fluorescents.
- **Temperature Impact** - Prolonged heat can significantly shorten the useful life of many LEDs. Component Hardware has designed its LED lights for specific applications to ensure maximum life expectancy. Our LED-40000 bulbs, for example, have enlarged heat sinks to conduct the heat away from the diodes.
- **Lower Maintenance Costs** - Besides the superior service life and durability of LEDs, they do not require a ballast, which can malfunction.
- **Instant On** - Fluorescent lights that do not instantly start (pre-heat types) have a longer life than “instant start” types, but since most ballasts do not operate well at cooler temperatures (<50°F), lights in walk-in coolers and freezers may need to be left on constantly. LED lights do not have a ballast so lights come on immediately.

## Selection Guide

Understanding some common lighting terms will help you to choose the right bulb for your application.

- **Beam Angle** - The measure of the spread of light from the source. The greater the beam angle, the less the intensity of light. Large beam angles are best suited for lamps rated greater than 5 watts. LED lamps that have beam angles in the 120 degree range are ideal for replacing incandescent and fluorescent bulbs.
- **Color Rendering Index (CRI)** - Measures on a scale of 1 to 100, the CRI indicates how well the light allows the viewer to perceive the true color of an object. LED bulbs typically rate between 70 and 95; the best CFLs rate in the mid 80s.
- **Kelvin** - The measurement of color temperature, or hue, of light. Sunlight equals about 5000 K, sometimes referred to as *natural light*. Color temperatures over 5000 K are called *cool colors* (bluish white) while lower color temperatures (2700 - 3000 K) are referred to as *warm colors* (yellowish white through red).
- **Lumen** - The standard of measurement of the light produced by the bulb. The more lumens, the brighter the bulb. Lumen is becoming the new standard for comparing bulbs.
- **Watt** - The amount of electrical energy consumed per hour of operation. Watts do not tell you how bright the bulb is, the lumens do. Look for the highest lumens per watt, for best efficacy.

