



**Rock Maple Table Tops  
(Bakers and Butcher Styles)  
Butcher Blocks  
Chopping Blocks**

Mini Catalog 3-23-1

Export Distributors:

**E.D.A. International Corp. / MBH International Sales Inc.**

**4907 SW 75<sup>th</sup> Ave.**

**Miami, FL 33155 USA**

**Tel: (305) 669-1894**

**Fax: (305) 669-1797**

E-mail: [sales@edainternational.com](mailto:sales@edainternational.com) / [sales@mbhny.com](mailto:sales@mbhny.com)

[www.edainternational.com](http://www.edainternational.com)

[www.mbhny.com](http://www.mbhny.com)

# "BKSC" REPLACEMENT COMMERCIAL WOOD TOPS

*2 1/4" Thick w/Penetrating Oil Finish - Non-Reversible*

**FEATURES:**

- "BKSC" Style Replacement Northern Hard Rock Maple Top - 2-1/4" Thick Flat Top
- Edge Grain Construction
- Finished w/Penetrating Oil Or Varnique Finish
- NSF Component For Oil Finish Only

**CERTIFICATIONS:**



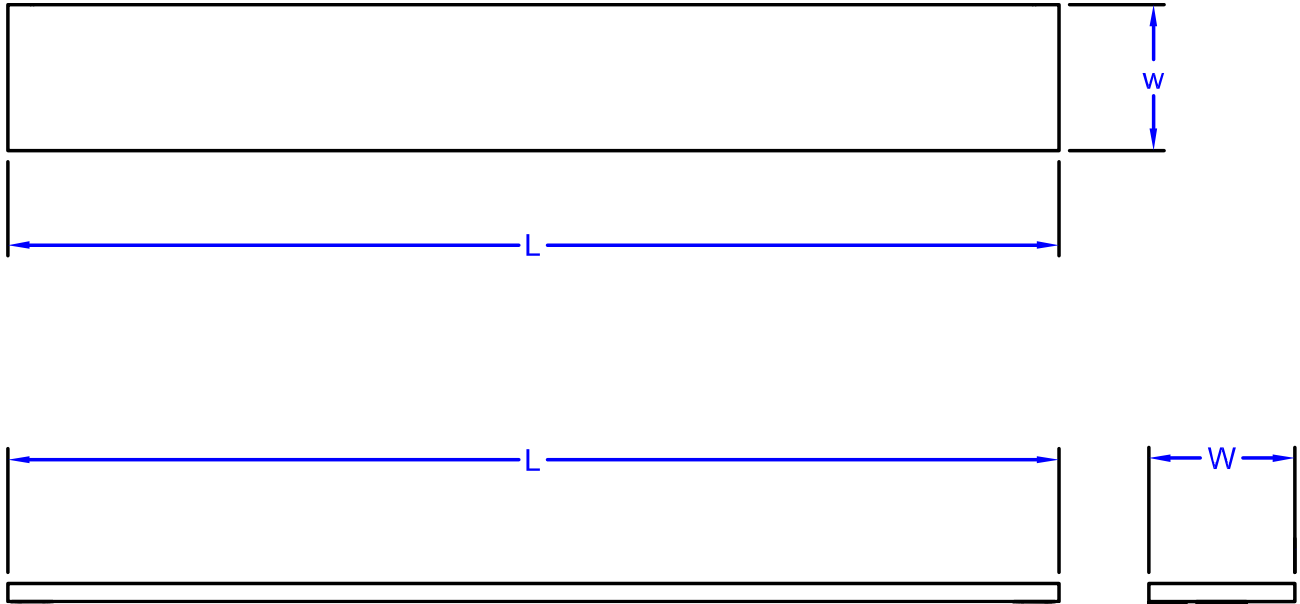
BKSC510

## "BKSC" REPLACEMENT COMMERCIAL WOOD TOPS

LENGTH (L)	24" WIDE	WT.	30" WIDE	WT.	36" WIDE	WT.	42" WIDE	WT.	48" WIDE	WT.	60" WIDE	WT.
36"	<b>BKSC510</b>	60	<b>BKSC750</b>	75	<b>BKSC470</b>	90	-	-	-	-	-	-
48"	<b>BKSC520</b>	80	<b>BKSC760</b>	99	<b>BKSC480</b>	119	<b>BKSC100</b>	139	<b>BKSC210</b>	162	-	-
60"	<b>BKSC530</b>	99	<b>BKSC770</b>	124	<b>BKSC490</b>	149	<b>BKSC110</b>	174	<b>BKSC220</b>	203	<b>BKSC330</b>	254
72"	<b>BKSC540</b>	119	<b>BKSC780</b>	149	<b>BKSC010</b>	179	<b>BKSC120</b>	208	<b>BKSC230</b>	243	<b>BKSC340</b>	304
84"	<b>BKSC550</b>	139	<b>BKSC790</b>	174	<b>BKSC020</b>	208	<b>BKSC130</b>	243	<b>BKSC240</b>	284	<b>BKSC350</b>	355
96"	<b>BKSC560</b>	159	<b>BKSC800</b>	198	<b>BKSC030</b>	238	<b>BKSC140</b>	278	<b>BKSC250</b>	324	<b>BKSC360</b>	405
108"	<b>BKSC570</b>	179	<b>BKSC810</b>	223	<b>BKSC040</b>	268	<b>BKSC150</b>	312	<b>BKSC260</b>	365	<b>BKSC370</b>	456
120"	<b>BKSC580</b>	198	<b>BKSC820</b>	248	<b>BKSC050</b>	297	<b>BKSC160</b>	347	<b>BKSC270</b>	405	<b>BKSC380</b>	507
132"	<b>BKSC590</b>	218	<b>BKSC830</b>	273	<b>BKSC060</b>	327	<b>BKSC170</b>	382	<b>BKSC280</b>	446	<b>BKSC390</b>	557
144"	<b>BKSC600</b>	238	<b>BKSC840</b>	297	<b>BKSC070</b>	357	<b>BKSC180</b>	416	<b>BKSC290</b>	486	<b>BKSC400</b>	608
156"	<b>BKSC610</b>	258	<b>BKSC850</b>	322	<b>BKSC080</b>	387	<b>BKSC190</b>	451	<b>BKSC300</b>	527	<b>BKSC410</b>	659
168"	<b>BKSC620</b>	278	<b>BKSC860</b>	347	<b>BKSC090</b>	416	<b>BKSC200</b>	486	<b>BKSC310</b>	567	<b>BKSC420</b>	709

ALL DIMENSIONS ARE TYPICAL. TOLERANCE +/- .500". JOHN BOOS & CO. RESERVES THE RIGHT TO CHANGE SPECIFICATIONS WITHOUT NOTICE.

# DETAILED SPECIFICATIONS



## "BKSC" REPLACEMENT COMMERCIAL WOOD TOPS

LENGTH (L)	24" WIDE	WT.	30" WIDE	WT.	36" WIDE	WT.	42" WIDE	WT.	48" WIDE	WT.	60" WIDE	WT.
36"	<b>BKSC510</b>	60	<b>BKSC750</b>	75	<b>BKSC470</b>	90	-	-	-	-	-	-
48"	<b>BKSC520</b>	80	<b>BKSC760</b>	99	<b>BKSC480</b>	119	<b>BKSC100</b>	139	<b>BKSC210</b>	162	-	-
60"	<b>BKSC530</b>	99	<b>BKSC770</b>	124	<b>BKSC490</b>	149	<b>BKSC110</b>	174	<b>BKSC220</b>	203	<b>BKSC330</b>	254
72"	<b>BKSC540</b>	119	<b>BKSC780</b>	149	<b>BKSC010</b>	179	<b>BKSC120</b>	208	<b>BKSC230</b>	243	<b>BKSC340</b>	304
84"	<b>BKSC550</b>	139	<b>BKSC790</b>	174	<b>BKSC020</b>	208	<b>BKSC130</b>	243	<b>BKSC240</b>	284	<b>BKSC350</b>	355
96"	<b>BKSC560</b>	159	<b>BKSC800</b>	198	<b>BKSC030</b>	238	<b>BKSC140</b>	278	<b>BKSC250</b>	324	<b>BKSC360</b>	405
108"	<b>BKSC570</b>	179	<b>BKSC810</b>	223	<b>BKSC040</b>	268	<b>BKSC150</b>	312	<b>BKSC260</b>	365	<b>BKSC370</b>	456
120"	<b>BKSC580</b>	198	<b>BKSC820</b>	248	<b>BKSC050</b>	297	<b>BKSC160</b>	347	<b>BKSC270</b>	405	<b>BKSC380</b>	507
132"	<b>BKSC590</b>	218	<b>BKSC830</b>	273	<b>BKSC060</b>	327	<b>BKSC170</b>	382	<b>BKSC280</b>	446	<b>BKSC390</b>	557
144"	<b>BKSC600</b>	238	<b>BKSC840</b>	297	<b>BKSC070</b>	357	<b>BKSC180</b>	416	<b>BKSC290</b>	486	<b>BKSC400</b>	608
156"	<b>BKSC610</b>	258	<b>BKSC850</b>	322	<b>BKSC080</b>	387	<b>BKSC190</b>	451	<b>BKSC300</b>	527	<b>BKSC410</b>	659
168"	<b>BKSC620</b>	278	<b>BKSC860</b>	347	<b>BKSC090</b>	416	<b>BKSC200</b>	486	<b>BKSC310</b>	567	<b>BKSC420</b>	709

ALL DIMENSIONS ARE TYPICAL. TOLERANCE +/- .500". JOHN BOOS & CO. RESERVES THE RIGHT TO CHANGE SPECIFICATIONS WITHOUT NOTICE.



**John  
BOOS**  
Since 1887

ITEM #: \_\_\_\_\_ QTY: \_\_\_\_\_

MODEL #: \_\_\_\_\_

PROJECT NAME: \_\_\_\_\_

## **“BBIT” PREMIUM END GRAIN ISLAND TOPS**

**NORTHERN HARD ROCK MAPLE, OIL FINISH**

### **CONSTRUCTION:**

- END GRAIN - BOOS BLOCK CREAM FINISH W/BEE SWAX
- OIL FINISH STANDARD - OPTIONAL VARNIQUE FINISH AVAILABLE (CHANGE SUFFIX "-O" TO "-V")

### **MATERIAL:**

- NORTHERN HARD ROCK MAPLE

### **2-1/4" THICK**

MODEL	SIZE	WEIGHT (LBS)
BBIT24252	24"X25"	41
BBIT30252	30"X25"	52
BBIT36252	36"X25"	62
BBIT48252	48"X25"	83
BBIT60252	60"X25"	103
BBIT72252	72"X25"	124
BBIT30272	30"X27"	56
BBIT36272	36"X27"	67
BBIT48272	48"X27"	89
BBIT60272	60"X27"	111
BBIT72272	72"X27"	134
BBIT30302	30"X30"	62
BBIT36302	36"X30"	74
BBIT48302	48"X30"	99
BBIT60302	60"X30"	124
BBIT72302	72"X30"	148
BBIT30362	30"X36"	74
BBIT36362	36"X36"	89
BBIT48362	48"X36"	118
BBIT60362	60"X36"	148
BBIT72362	72"X36"	178
BBIT36382	36"X38"	94
BBIT48382	48"X38"	138
BBIT60382	60"X38"	172
BBIT72382	72"X38"	188
BBIT48422	48"X42"	138
BBIT60422	60"X42"	193
BBIT72422	72"X42"	208



### 3" THICK

MODEL	SIZE	WEIGHT (LBS)
BBIT24253	24"x25"	59
BBIT30253	30"x25"	74
BBIT36253	36"x25"	89
BBIT48253	48"x25"	118
BBIT60253	60"x25"	148
BBIT72253	72"x25"	178
BBIT30273	30"x27"	80
BBIT36273	36"x27"	96
BBIT48273	48"x27"	128
BBIT60273	60"x27"	160
BBIT72273	72"x27"	178
BBIT30303	30"x30"	82
BBIT36303	36"x30"	99
BBIT48303	48"x30"	132
BBIT60303	60"x30"	165
BBIT72303	72"x30"	198
BBIT36363	36"x36"	118
BBIT48363	48"x36"	158
BBIT60363	60"x36"	198
BBIT72363	72"x36"	238
BBIT36383	36"x38"	135
BBIT48383	48"x38"	179
BBIT60383	60"x38"	224
BBIT72383	72"x38"	250
BBIT36423	36"x42"	138
BBIT48423	48"x42"	184
BBIT60423	60"x42"	231
BBIT72423	72"x42"	277

### 4" THICK

MODEL	SIZE	WEIGHT (LBS)
BBIT2425	24"x25"	77
BBIT3025	30"x25"	97
BBIT3625	36"x25"	116
BBIT4825	48"x25"	155
BBIT6025	60"x25"	194
BBIT7225	72"x25"	220
BBIT3027	30"x27"	105
BBIT3627	36"x27"	125
BBIT4827	48"x27"	167
BBIT6027	60"x27"	209
BBIT7227	72"x27"	237
BBIT3030	30"x30"	116
BBIT3630	36"x30"	139
BBIT4830	48"x30"	186
BBIT6030	60"x30"	232
BBIT7230	72"x30"	264
BBIT3636	36"x36"	167
BBIT4836	48"x36"	223
BBIT6036	60"x36"	278
BBIT7236	72"x36"	317
BBIT3638	36"x38"	176
BBIT4838	48"x38"	235
BBIT6038	60"x38"	294
BBIT7238	72"x38"	334
BBIT4842	48"x42"	246
BBIT6042	60"x42"	308
BBIT7242	72"x42"	370

### 7" THICK

MODEL	SIZE	WEIGHT (LBS)
BBIT24257	24"x25"	133
BBIT30257	30"x25"	166
BBIT36257	36"x25"	199
BBIT48257	48"x25"	265
BBIT60257	60"x25"	321

BBIT30277	30"x27"	179
BBIT36277	36"x27"	215
BBIT48277	48"x27"	286
BBIT60277	60"x27"	346
BBIT30307	30"x30"	192
BBIT36307	36"x30"	231
BBIT48307	48"x30"	308
BBIT60307	60"x30"	385

SOME UNITS SHIP UNASSEMBLED FOR REDUCED SHIPPING COST. ALL DIMENSIONS ARE TYPICAL. TOLERANCE +/- .500"

John Boos & Co. is constantly engaged in a program of improving products and therefore reserves the right to change specifications without prior notice.





**John  
BOOS**  
Since 1887

ITEM #: \_\_\_\_\_ QTY: \_\_\_\_\_

MODEL #: \_\_\_\_\_

PROJECT NAME: \_\_\_\_\_

031621

## **"BB" CHOPPING BLOCK COLLECTION - END GRAIN**

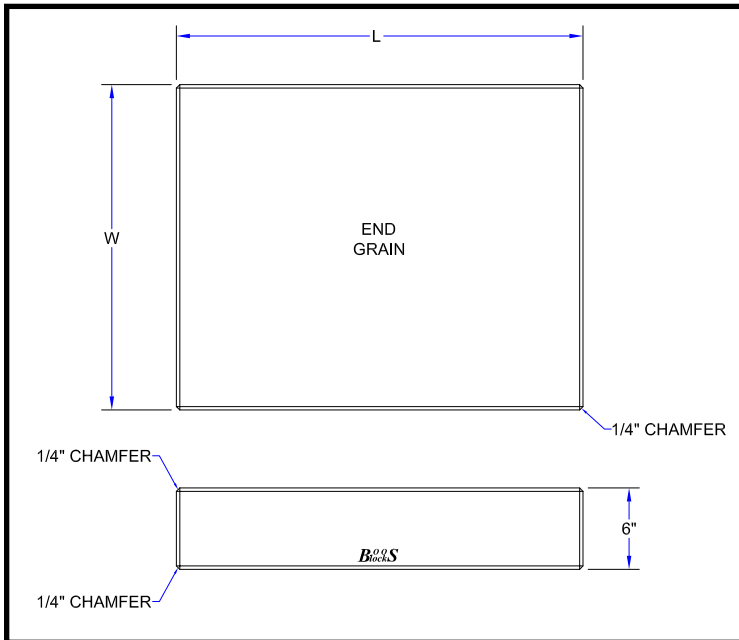
### **6" THICK - REVERSIBLE**

#### **FEATURES:**

- NORTHERN HARD ROCK MAPLE
- RECTANGULAR CUTTING BOARD
- AVAILABLE WITH 6" THICKNESSES
- END GRAIN CONSTRUCTION
- REVERSIBLE CUTTING SURFACE
- OIL FINISH



BB01



### **CHOPPING BLOCK COLLECTION - END GRAIN**

MODEL #	L X W X H	WEIGHT (LBS)
BB01	24" X 24" X 6"	96
BB02	30" X 24" X 6"	120
BB03	30" X 30" X 6"	150
BB04	40" X 30" X 6"	200

SOME UNITS SHIP UNASSEMBLED FOR REDUCED SHIPPING COST. ALL DIMENSIONS ARE TYPICAL. TOLERANCE +/- .500"

John Boos & Co. is constantly engaged in a program of improving products and therefore reserves the right to change specifications without prior notice.



*Boos*  
BlockS



**John  
BOOS**  
Since 1887

ITEM #: \_\_\_\_\_ QTY: \_\_\_\_\_  
 MODEL #: \_\_\_\_\_  
 PROJECT NAME: \_\_\_\_\_

032421

## "CCB" CHOPPING BLOCK COLLECTION - END GRAIN

2-1/4" OR 3" THICK - REVERSIBLE

### FEATURES:

- NORTHERN HARD ROCK MAPLE OR AMERICAN BLACK WALNUT
- RECTANGULAR CUTTING BOARD
- AVAILABLE IN 2-1/4" OR 3" THICK
- END GRAIN CONSTRUCTION
- HAND GRIPS ON EACH END
- REVERSIBLE CUTTING SURFACE
- OIL FINISH



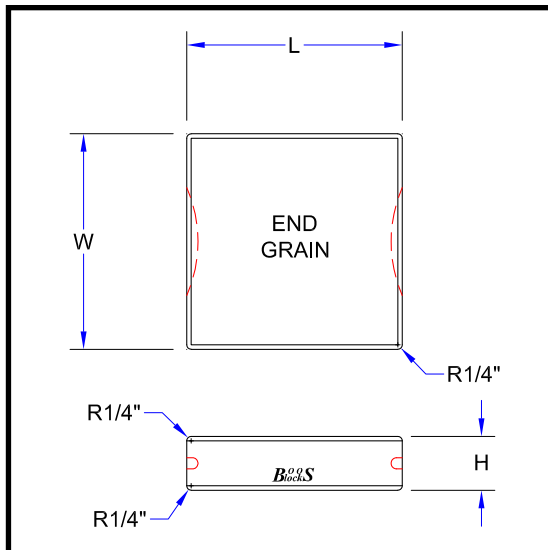
CCB2015-225



CCB121203



WAL-CCB121203



### CHOPPING BLOCK COLLECTION - END GRAIN

MODEL #	DESCRIPTION	BOARD SIZE (LXWXH)	WT. (LBS)
CCB1818-225	MAPLE, W/ HAND GRIPS	18" X 18" X 2-1/4"	22
CCB2015-225	MAPLE, W/ HAND GRIPS	20" X 15" X 2-1/4"	21
CCB2418-225	MAPLE, W/ HAND GRIPS	24" X 18" X 2-1/4"	27
CCB121203	MAPLE, W/ HAND GRIPS	12" X 12" X 3"	13
CCB151503	MAPLE, W/ HAND GRIPS	15" X 15" X 3"	19
CCB183-S	MAPLE, W/ HAND GRIPS	18" X 18" X 3"	26
WAL-CCB121203	WALNUT, W/ HAND GRIPS	12" X 12" X 3"	11
WAL-CCB151503	WALNUT, W/ HAND GRIPS	15" X 15" X 3"	16
WAL-CCB183-S	WALNUT, W/ HAND GRIPS	18" X 18" X 3"	24

SOME UNITS SHIP UNASSEMBLED FOR REDUCED SHIPPING COST. ALL DIMENSIONS ARE TYPICAL. TOLERANCE +/- .500"

John Boos & Co. is constantly engaged in a program of improving products and therefore reserves the right to change specifications without prior notice.



Boos  
lockS



**John  
BOOS**  
Since 1887

ITEM #: \_\_\_\_\_ QTY: \_\_\_\_\_

MODEL #: \_\_\_\_\_

PROJECT NAME: \_\_\_\_\_

032421

## **"CCB-S" CHOPPING BLOCK COLLECTION - END GRAIN**

### **3" OR 4" THICK - RECTANGULAR**

#### **FEATURES:**

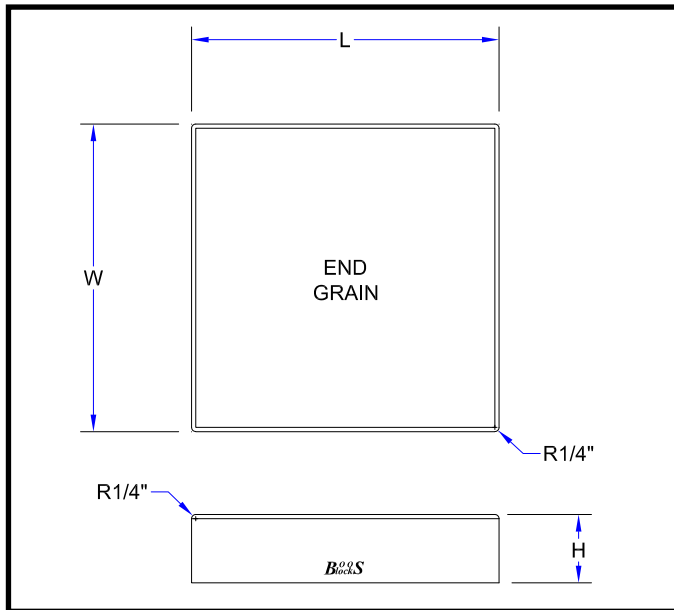
- NORTHERN HARD ROCK MAPLE OR AMERICAN CHERRY
- RECTANGULAR CUTTING BOARD
- AVAILABLE IN 3" AND 4" THICKNESSES
- END GRAIN CONSTRUCTION
- OIL FINISH
- 3" BLOCKS REVERSIBLE, ALL OTHERS NON-REVERSIBLE



CCB18-S



CHY-CCB143-S



#### **CHOPPING BLOCK COLLECTION - END GRAIN**

MODEL #	DESCRIPTION	BOARD SIZE	WEIGHT (LBS)
CCB18-S	MAPLE, NON-REVERSIBLE	18" X 18" X 4"	36
CCB24-S	MAPLE, NON-REVERSIBLE	24" X 24" X 4"	64
CCB3024	MAPLE, NON-REVERSIBLE	30" X 24" X 4"	80
CCB3624	MAPLE, NON-REVERSIBLE	36" X 24" X 4"	96
CCB4824	MAPLE, NON-REVERSIBLE	48" X 24" X 4"	128
CHY-CCB143-S	CHERRY, REVERSIBLE	14" X 14" X 3"	12.5

SOME UNITS SHIP UNASSEMBLED FOR REDUCED SHIPPING COST. ALL DIMENSIONS ARE TYPICAL. TOLERANCE +/- .500"

John Boos & Co. is constantly engaged in a program of improving products and therefore reserves the right to change specifications without prior notice.



*Boos*  
lockS





**John  
BOOS**  
Since 1887

ITEM #: \_\_\_\_\_ QTY: \_\_\_\_\_

MODEL #: \_\_\_\_\_

PROJECT NAME: \_\_\_\_\_

032421

## **"CCB-R" CHOPPING BLOCK COLLECTION - END GRAIN**

**2-1/2", 3", OR 4" THICK - ROUND**

### **FEATURES:**

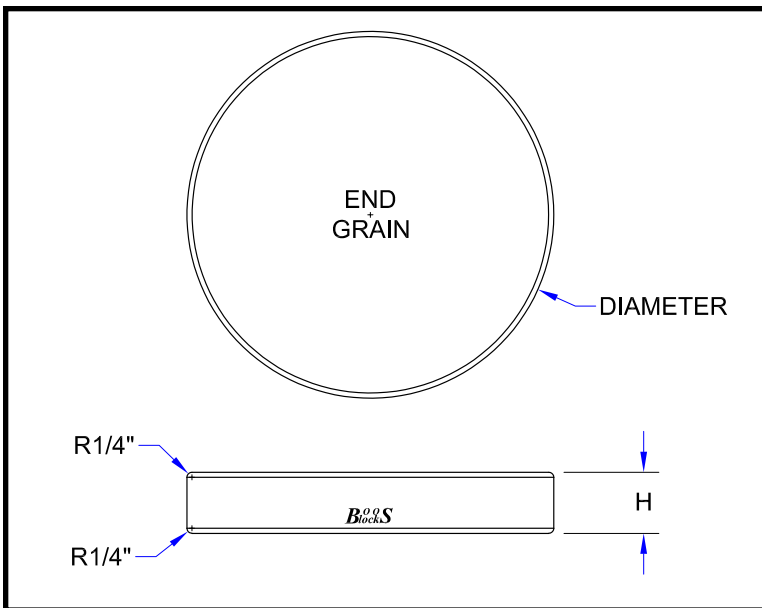
- NORTHERN HARD ROCK MAPLE, AMERICAN BLACK WALNUT OR AMERICAN CHERRY
- CIRCULAR CUTTING BOARD
- AVAILABLE IN 2.5", 3" AND 4" THICKNESSES
- END GRAIN CONSTRUCTION
- OIL FINISH
- 3" BLOCKS REVERSIBLE, ALL OTHERS NON-REVERSIBLE



CHY-CCB183-R



WAL-CCB183-R



### **CHOPPING BLOCK COLLECTION - END GRAIN**

MODEL #	DESCRIPTION	BOARD SIZE	WEIGHT (LBS)
CCB183-R	MAPLE, REVERSIBLE	18" DIA X 3"	22
CCB18-R	MAPLE, NON-REVERSIBLE	18" DIA X 4"	30
CCB24-R	MAPLE, NON-REVERSIBLE	24" DIA X 4"	53
WAL-CCB183-R	WALNUT, REVERSIBLE	18" DIA X 3"	26
CHY-CCB15-R	CHERRY, NON-REVERSIBLE	15" DIA X 2.5"	12
CHY-CCB183-R	CHERRY, REVERSIBLE	18" DIA X 3"	20

SOME UNITS SHIP UNASSEMBLED FOR REDUCED SHIPPING COST. ALL DIMENSIONS ARE TYPICAL. TOLERANCE +/- .500"

John Boos & Co. is constantly engaged in a program of improving products and therefore reserves the right to change specifications without prior notice.



*Boos*  
lockS



**John**  
**BOOS**  
Since 1887

ITEM #: \_\_\_\_\_ QTY: \_\_\_\_\_

MODEL #: \_\_\_\_\_

PROJECT NAME: \_\_\_\_\_

## **"AA" BLOCK**

### **16" THICK BLOCK**

#### **FEATURES:**

- NORTHERN HARD ROCK MAPLE 16" THICK END GRAIN TOP
- STANDARD WITH BOOS BLOCK CREAM FINISH WITH BEESWAX
- L-4 LEGS (PENCIL) STANDARD
- SHIPPED KNOCKED DOWN, EASY TO ASSEMBLY
- 2 CARTONS
- OPTIONS: WOOD KNIFE HOLDER: TKS



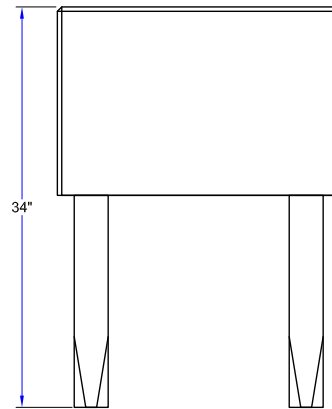
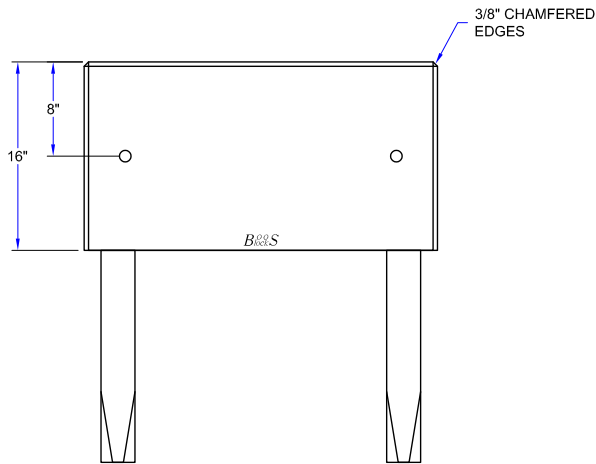
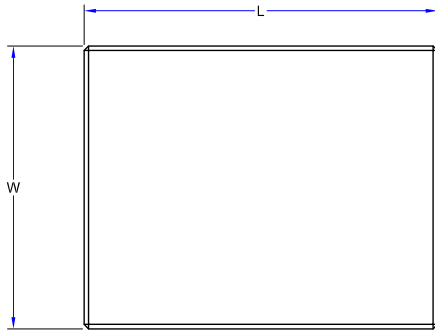
AA02

#### **"AA" BLOCK**

MODEL #	QTY
AA01	
AA02	
AA03	
AA04	
AA05	
AA06	
AA07	
AA10	
AA11	
AA12	
AA13 *	

\* DENOTES STANDARD BLOCKS W/ 6 LEGS PER BLOCK

# DETAILED SPECIFICATIONS



## "AA" BLOCK

MODEL #	SIZE	HEIGHT	WEIGHT (LBS)
AA01	24" X 18" X 16"	34"	216
AA02	24" X 24" X 16"	34"	287
AA03	30" X 24" X 16"	34"	348
AA04	30" X 30" X 16"	34"	386
AA05	35" X 30" X 16"	34"	499
AA06	40" X 30" X 16"	34"	567
AA07	50" X 30" X 16"	34"	705
AA10	35" X 35" X 16"	34"	579
AA11	40" X 35" X 16"	34"	659
AA12	50" X 35" X 16"	34"	819
AA13 *	60" X 35" X 16"	34"	979

\* DENOTES STANDARD BLOCKS W/ 6 LEGS PER BLOCK

SOME UNITS SHIP UNASSEMBLED FOR REDUCED SHIPPING COST. ALL DIMENSIONS ARE TYPICAL. TOLERANCE +/- .500"  
 John Boos & Co. is constantly engaged in a program of improving products and therefore reserves the right to change specifications without prior notice.





John  
**BOOS**  
Since 1887

ITEM #: \_\_\_\_\_ QTY: \_\_\_\_\_

MODEL #: \_\_\_\_\_

PROJECT NAME: \_\_\_\_\_

## **"AB" BLOCK**

### **10" THICK BLOCK**

#### **FEATURES:**

- STANDARD WITH BOOS BLOCK CREAM FINISH WITH BEESWAX ON CUTTING SURFACE ONLY
- AB-LEG STANDARD
- AB01 UPS-ABLE
- SEE BASE COLOR SPEC SHEET FOR COLOR OPTIONS
- OPTIONS: 4 - 2-1/2" COMMERCIAL GRADE LOCKING CASTERS: CAS03

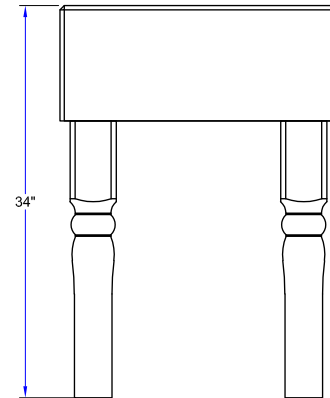
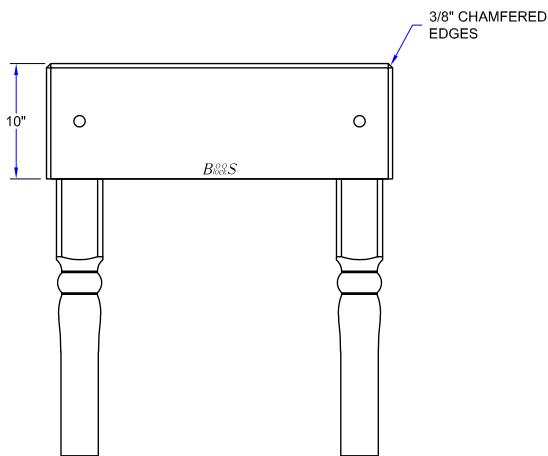
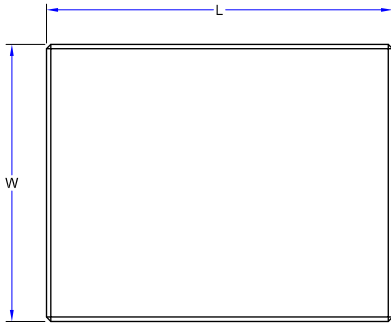


AB05

#### **"AB" BLOCK**

MODEL #	QTY
AB01	
AB02	
AB05	
AB06	
AB07	

## DETAILED SPECIFICATIONS



### "AB" BLOCK

MODEL #	SIZE	HEIGHT	WEIGHT (LBS)
AB01	18" X 18" X 10"	34"	135
AB02	24" X 18" X 10"	34"	160
AB05	24" X 24" X 10"	34"	205
AB06	30" X 24" X 10"	34"	245
AB07	30" X 30" X 10"	34"	295

SOME UNITS SHIP UNASSEMBLED FOR REDUCED SHIPPING COST. ALL DIMENSIONS ARE TYPICAL. TOLERANCE +/- .500"  
 John Boos & Co. is constantly engaged in a program of improving products and therefore reserves the right to change specifications without prior notice.

