

WIRE SHELVING

DESIGN: The open wire design of these shelves minimizes dust accumulation and allows free circulation of air, greater visibility of stored items and greater light penetration.

CONSTRUCTION: All welded wire shelves and posts are constructed of heavy-gauge carbon steel or Type 304 stainless steel.

CHOICE OF FINISHES:

- **Chrome** - is a plating process which deposits hard chrome OVER a copper, nickel surface. This process is VERY durable and allows product to be used in any application in a dry storage ENVIRONMENT. 1 year limited warranty to not rust or corrode when used in dry and non-humid ENVIRONMENTS.
- **Stainless Steel** - 304 Stainless with an electro-polish finish represents the highest industry standard in the PREVENTION of corrosion. This finish is highly EFFECTIVE for CORROSIVE, high humidity or clean room ENVIRONMENTS. Lifetime warranty for 304 stainless steel electro-polish finish.
- **Proform Green, Gray and Black Epoxy** - are an ideal solution for high humidity, wet, or walk-in-cooler applications. The carbon steel is treated with an iron phosphate and the powder coated epoxy is electrostatically applied, baked and cured to a hard surface. All three colors are antimicrobial. 15 year limited warranty for antimicrobial finish to not rust or corrode.

ADAPTABLE: Wire shelving can adapt to your changing needs. By using various accessories, hundreds of shelving configurations become possible.

QUICK, EASY ASSEMBLY: Posts have a double groove visual guide feature every 8", circular grooves at 1" increments, and are numbered at 1" intervals. Tapered split sleeve snaps together around each post. Tapered openings in the shelf corners slide over the tapered split sleeves providing a positive lock. Shelf is assembled in minutes without the use of any special tools.

ADJUSTABLE: Shelves can be adjusted at 1" intervals along length of the post.

WIRE TRUSSES: Architectural wire trusses increase shelf capacity.

TOP MAT WIRES: Run front to back to slide items easily off and on the shelf.

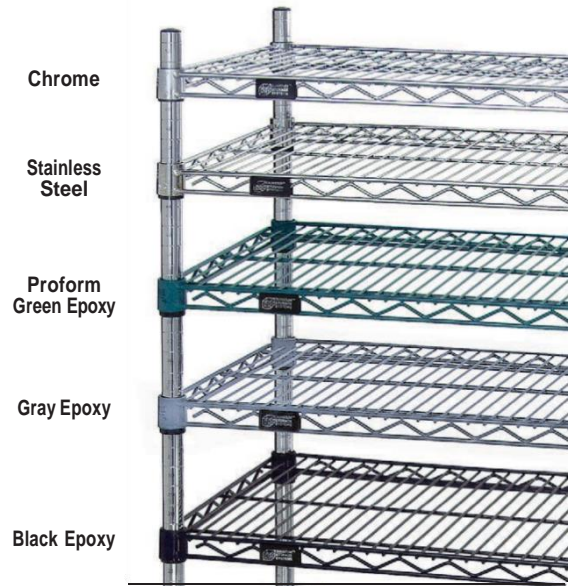
SHELF ACCESSIBILITY: Shelves can be loaded/unloaded easily from all sides. This open construction allows maximum use of storage cube.

ADJUSTABLE FOOT: 3/8-16 leveling bolt compensate for irregular floor surfaces.

Note: Stainless stationary posts are equipped with stainless steel LEVELING feet.

Highest Quality, Lowest Price Guaranteed!

For more information: sales@mbhny.com



Export Representatives:
MBH International Sales, Inc.
4907 SW 75th Ave. Miami, FL 33155 USA
Phone: (305) 669-1894 Fax: (305) 669-1797 s
www.mbhny.com

WIRE SHELVES

- Plastic Split SLEEVES - are included with each shelf

Replacements are available:

Model No: **WR-SS** (4 Pairs)

- Plastic CONDUCTIVE Split SLEEVES - are AVAILABLE for CONDUCTIVE applications

Model No: **WR-SSCO** (4 Pairs)

- Aluminum Split SLEEVES - are recommended for extreme mobile applications and CONDUCTIVE applications

Model No: **ESD-SS** (4 Pairs)

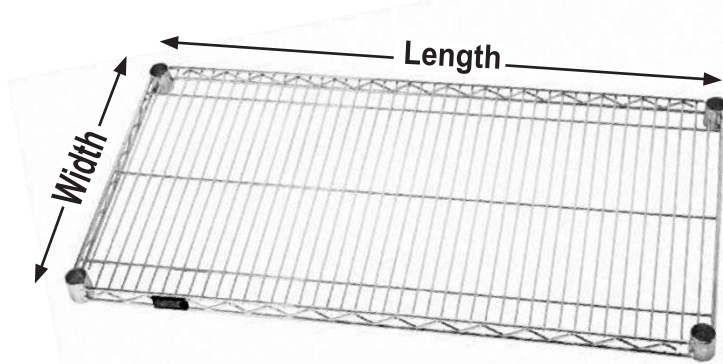
- Load capacity (evenly distributed) per shelf

Widths: 12" to 36"

Lengths: 800 lbs. for 18" to 48"

600 lbs. for 54" or longer except heavy-duty

1,000 lbs. for 60" or 72" on chrome heavy-duty



All welded construction with additional wire trussing for high strength characteristics

Top mat wires run front to back (except on 12" x 36" size) for ease of loading and unloading

- Numbered GROOVED posts on 1" increments for quick assembly

- Wire allows air to circulate and light to penetrate for increased product VISIBILITY

- Minimal dirt accumulation

- Adjustable foot LEVELERS

- No tools required for assembly

- Durable finishes

- Aesthetically pleasing

- National Sanitation Foundation (NSF) APPROVED

- Shipped KD Class 70



Split Sleeve



Aluminum Split Sleeve

SHELF W" x L"	SHIP WGT	CHROME	STAINLESS STEEL	EPOXY		
		MODEL NO.	MODEL NO.	PROFORM GREEN	GRAY	BLACK
12" Deep - Wire Shelves						
12" x 24"	6 lbs	1224C	-	1224P	1224GY	1224BK
12" x 30"	6 lbs	1230C	-	1230P	1230GY	1230BK
12" x 36"	7 lbs	1236C	1236S	1236P	1236GY	1236BK
12" x 42"	8 lbs	1242C	-	1242P	1242GY	1242BK
12" x 48"	9 lbs	1248C	1248S	1248P	1248GY	1248BK
12" x 60"	14 lbs	1260C	1260S	1260P	1260GY	1260BK
12" x 72"	17 lbs	1272C	1272S	1272P	1272GY	1272BK
14" Deep - Wire Shelves						
14" x 24"	6 lbs	1424C	-	1424P	1424GY	1424BK
14" x 30"	7 lbs	1430C	1430S	1430P	1430GY	1430BK
14" x 36"	8 lbs	1436C	1436S	1436P	1436GY	1436BK
14" x 42"	10 lbs	1442C	1442S	1442P	1442GY	1442BK
14" x 48"	11 lbs	1448C	1448S	1448P	1448GY	1448BK
14" x 54"	12 lbs	1454C	1454S	1454P	1454GY	1454BK
14" x 60"	14 lbs	1460C	1460S	1460P	1460GY	1460BK
14" x 72"	17 lbs	1472C	1472S	1472P	1472GY	1472BK
18" Deep - Wire Shelves						
18" x 24"	7 lbs	1824C	1824S	1824P	1824GY	1824BK
18" x 30"	8 lbs	1830C	1830S	1830P	1830GY	1830BK
18" x 36"	10 lbs	1836C	1836S	1836P	1836GY	1836BK
18" x 42"	11 lbs	1842C	1842S	1842P	1842GY	1842BK
18" x 48"	14 lbs	1848C	1848S	1848P	1848GY	1848BK
18" x 54"	15 lbs	1854C	1854S	1854P	1854GY	1854BK
18" x 60"	17 lbs	1860C	1860S	1860P	1860GY	1860BK
18" x 72"	20 lbs	1872C	1872S	1872P	1872GY	1872BK
21" Deep - Wire Shelves						
21" x 24"	8 lbs	2124C	2124S	2124P	2124GY	2124BK
21" x 30"	9 lbs	2130C	2130S	2130P	2130GY	2130BK
21" x 36"	11 lbs	2136C	2136S	2136P	2136GY	2136BK
21" x 42"	12 lbs	2142C	2142S	2142P	2142GY	2142BK
21" x 48"	14 lbs	2148C	2148S	2148P	2148GY	2148BK
21" x 54"	16 lbs	2154C	2154S	2154P	2154GY	2154BK
21" x 60"	18 lbs	2160C	2160S	2160P	2160GY	2160BK
21" x 72"	24 lbs	2172C	2172S	2172P	2172GY	2172BK
24" Deep - Wire Shelves						
24" x 24"	9 lbs	2424C	2424S	2424P	2424GY	2424BK
24" x 30"	11 lbs	2430C	2430S	2430P	2430GY	2430BK
24" x 36"	13 lbs	2436C	2436S	2436P	2436GY	2436BK
24" x 42"	15 lbs	2442C	2442S	2442P	2442GY	2442BK
24" x 48"	16 lbs	2448C	2448S	2448P	2448GY	2448BK
24" x 54"	18 lbs	2454C	2454S	2454P	2454GY	2454BK
24" x 60"	21 lbs	2460C	2460S	2460P	2460GY	2460BK
24" x 66"	23 lbs	2466C	-	2466P	2466GY	-
24" x 72"	26 lbs	2472C	2472S	2472P	2472GY	2472BK
24" Deep Heavy-Duty - Wire Shelves (1,000 lb. capacity)						
24" x 60"	25 lbs	2460CHD	-	-	-	-
24" x 72"	30 lbs	2472CHD	-	-	-	-
30" Deep - Wire Shelves						
30" x 36"	15 lbs	3036C	3036S	3036P	3036GY	3036BK
30" x 42"	18 lbs	3042C	3042S	3042P	3042GY	3042BK
30" x 48"	21 lbs	3048C	3048S	3048P	3048GY	3048BK
30" x 60"	27 lbs	3060C	3060S	3060P	3060GY	3060BK
30" x 72"	31 lbs	3072C	3072S	3072P	3072GY	3072BK
36" Deep - Wire Shelves						
36" x 36"	18 lbs	3636C	3636S	3636P	3636GY	3636BK
36" x 48"	23 lbs	3648C	3648S	3648P	3648GY	3648BK
36" x 60"	29 lbs	3660C	3660S	3660P	3660GY	3660BK
36" x 72"	35 lbs	3672C	3672S	3672P	3672GY	3672BK

Highest Quality, Lowest Price Guaranteed!

For more information: sales@mbhny.com

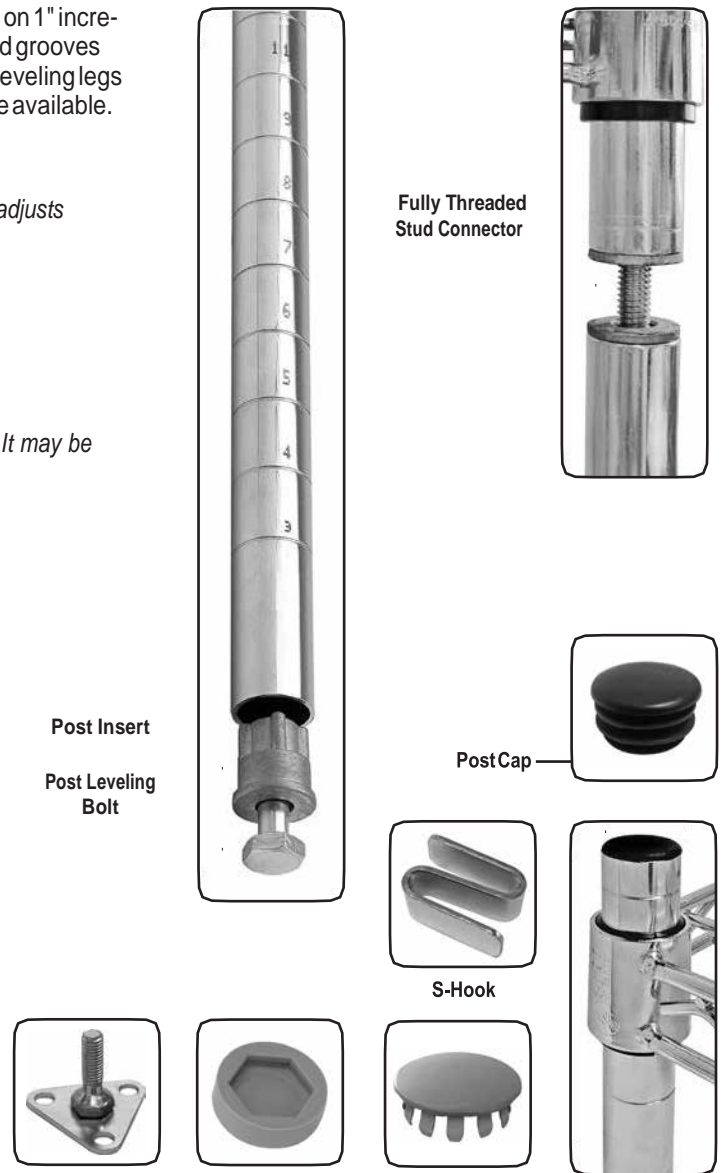
Export Representatives:
MBH International Sales, Inc.
4907 SW 75th Ave. Miami, FL 33155 USA
Phone: (305) 669-1894 Fax: (305) 669-1797 s
www.mbhny.com

POSTS

All posts are fabricated from 16 gauge carbon steel with locating grooves on 1" increments and printed numbers between the grooves. Post also have doubled grooves every 8" for fast identification. Leveling legs are enclosed with all posts. Leveling legs cannot be used in conjunction with stem casters. Custom post heights are available.

STATIONARY POSTS ARE EQUIPPED WITH:

- **Post LEVELER Insert & LEVELING Bolt** - use to account for UNEVEN floors, it adjusts up or down allowing height flexibility
Replacements are available:
Insert
 Model No: **W-PLI**
Leveling Bolt
 Model No: **W-PLB**
- **Foot Plates** - triangular plate allows additional surface to disperse weight. It may be ordered separately and installed in place of LEVELING foot
 Model No: **FP**
- **Floor Guides** - Serves as protection to PREVENT marring of floors
 Model No: **FG** (Pack of 4)
- **Fully Threaded Stud Connector** - can be utilized to connect two posts enabling any post height to be ACHIEVED
 Model No: **W-PC-STUD**
- **Post Cap** - Plastic caps are included with each post
Replacements are available:
 Model No: **W-PC** (Pack of 4)
- **Shelf Collar Plug** - Shelf Collar Plug COVERS shelf collar when post is not being used
 Model No: **WR-SP** (Pack of 4)
- **S-Hook** - For continuous runs of SHELVING. Two hooks should be placed per shelf where two posts are not utilized.
 Model No: **S-HOOK** (Pack of 8)



FINISHES:

Chrome, Stainless Steel, Proform and Epoxy Green, Gray, Black

DESCRIPTION	SHIP WGT			EPOXY		
		CHROME	STAINLESS STEEL	PROFORM GREEN	GRAY	BLACK
		MODEL NO.	MODEL NO.	MODEL NO.	MODEL NO.	MODEL NO.
6"H Post	1 lb	P6C	P6S	P6P	P6GY	P6BK
14"H Post	1 lb	P14C	P14S	P14P	P14GY	P14BK
34"H Post	2 lbs	P34C	P34S	P34P	P34GY	P34BK
36"H Post	2 lbs	P36C	-	-	-	-
39"H Post	2 lbs	P39C	-	-	-	P39BK
42"H Post	2 lbs	-	P42S	-	-	-
54"H Post	3 lbs	P54C	P54S	P54P	P54GY	P54BK
63"H Post	4 lbs	P63C*	P63S	P63P*	P63GY*	P63BK*
74"H Post	4 lbs	P74C*	P74S	P74P*	P74GY*	P74BK*
86"H Post	5 lbs	P86C*	P86S	P86P*	P86GY*	P86BK*
96"H Post	6 lbs	P96C	P96S	P96P	P96GY	P96BK

*For easy installation, 63", 74" and 86" posts are available with pre-inserted leveler and bolt by adding an X to the Model No. P74CX

Highest Quality, Lowest Price Guaranteed!

For more information: sales@mbhny.com

Export Representatives:
 MBH International Sales, Inc.
 4907 SW 75th Ave. Miami, FL 33155 USA
 Phone: (305) 669-1894 Fax: (305) 669-1797 s
www.mbhny.com

SHELVING UNITS

Heavy-duty shelving units allows up to 800 lb. shelf capacity. Starter kits come complete with 4 posts and 4 shelves. Additional shelves may be purchased separately.

Additional Add-On kits allows you to expand your starter kit by sharing a set of posts. Configuration options include side to side, back to back and right angles (L-Shape). Add-On kits come complete with 2 posts, 4 shelves and 8 S-Hooks. Additional shelves and posts may be purchased separately. Units with Add-on kits cannot be made mobile.

ADD SUFFIX TO THE END OF EACH MODEL NO. WHEN REFERENCING TO PART FINISHES

- CHROME C
- STAINLESS S
- BROWN B
- GREEN P
- GRAY GY
- BLACK BK



DB

Donut Bumper
Non-marking donut bumper used to protect walls and help cushion impact. Sold individually. Measures 3" diameter



WR-00HS
Polyurethane Stainless Steel Casters w/ Zerk Grease Fittings
Sold as a set of 4 casters, 2 with brake. Measures 5" x 1-1/4"



WR-00H
Polyurethane Casters
Sold as a set of 4 casters, 2 with brake. Measures 5" x 1-1/4"

63"H STARTER KIT UNITS			63"H ADD-ON KIT UNITS		
DIMENSIONS	SHIP WGT	MODEL NO.	DIMENSIONS	SHIP WGT	MODEL NO.
12" x 36" x 63"	44	WR63-1236	12" x 36" x 63"	37	AD63-1236C
12" x 42" x 63"	48	WR63-1242	12" x 42" x 63"	41	AD63-1242C
12" x 48" x 63"	52	WR63-1248	12" x 48" x 63"	45	AD63-1248C
12" x 60" x 63"	60	WR63-1260	12" x 60" x 63"	53	AD63-1260C
12" x 72" x 63"	68	WR63-1272	12" x 72" x 63"	61	AD63-1272C
14" x 24" x 63"	40	WR63-1424	14" x 24" x 63"	33	AD63-1424C
14" x 30" x 63"	44	WR63-1430	14" x 30" x 63"	37	AD63-1430C
14" x 36" x 63"	48	WR63-1436	14" x 36" x 63"	41	AD63-1436C
14" x 42" x 63"	56	WR63-1442	14" x 42" x 63"	49	AD63-1442C
14" x 48" x 63"	60	WR63-1448	14" x 48" x 63"	53	AD63-1448C
14" x 54" x 63"	64	WR63-1454	14" x 54" x 63"	57	AD63-1454C
14" x 60" x 63"	72	WR63-1460	14" x 60" x 63"	65	AD63-1460C
14" x 72" x 63"	84	WR63-1472	14" x 72" x 63"	77	AD63-1472C
18" x 24" x 63"	44	WR63-1824	18" x 24" x 63"	37	AD63-1824C
18" x 30" x 63"	48	WR63-1830	18" x 30" x 63"	41	AD63-1830C
18" x 36" x 63"	54	WR63-1836	18" x 36" x 63"	49	AD63-1836C
18" x 42" x 63"	58	WR63-1842	18" x 42" x 63"	53	AD63-1842C
18" x 48" x 63"	62	WR63-1848	18" x 48" x 63"	57	AD63-1848C
18" x 54" x 63"	74	WR63-1854	18" x 54" x 63"	69	AD63-1854C
18" x 60" x 63"	82	WR63-1860	18" x 60" x 63"	77	AD63-1860C
18" x 72" x 63"	94	WR63-1872	18" x 72" x 63"	89	AD63-1872C
21" x 24" x 63"	46	WR63-2124	21" x 24" x 63"	41	AD63-2124C
21" x 30" x 63"	50	WR63-2130	21" x 30" x 63"	45	AD63-2130C
21" x 36" x 63"	58	WR63-2136	21" x 36" x 63"	53	AD63-2136C
21" x 42" x 63"	62	WR63-2142	21" x 42" x 63"	57	AD63-2142C
21" x 48" x 63"	70	WR63-2148	21" x 48" x 63"	65	AD63-2148C
21" x 54" x 63"	78	WR63-2154	21" x 54" x 63"	73	AD63-2154C
21" x 60" x 63"	86	WR63-2160	21" x 60" x 63"	81	AD63-2160C
21" x 72" x 63"	110	WR63-2172	21" x 72" x 63"	105	AD63-2172C
24" x 24" x 63"	50	WR63-2424	24" x 24" x 63"	45	AD63-2424C
24" x 30" x 63"	58	WR63-2430	24" x 30" x 63"	53	AD63-2430C
24" x 36" x 63"	66	WR63-2436	24" x 36" x 63"	61	AD63-2436C
24" x 42" x 63"	74	WR63-2442	24" x 42" x 63"	69	AD63-2442C
24" x 48" x 63"	78	WR63-2448	24" x 48" x 63"	73	AD63-2448C
24" x 54" x 63"	86	WR63-2454	24" x 54" x 63"	81	AD63-2454C
24" x 60" x 63"	98	WR63-2460	24" x 60" x 63"	93	AD63-2460C
24" x 72" x 63"	118	WR63-2472	24" x 72" x 63"	113	AD63-2472C
30" x 36" x 63"	74	WR63-3036	30" x 36" x 63"	69	AD63-3036C
30" x 42" x 63"	86	WR63-3042	30" x 42" x 63"	81	AD63-3042C
30" x 48" x 63"	98	WR63-3048	30" x 48" x 63"	93	AD63-3048C
30" x 60" x 63"	122	WR63-3060	30" x 60" x 63"	117	AD63-3060C
30" x 72" x 63"	138	WR63-3072	30" x 72" x 63"	133	AD63-3072C
36" x 36" x 63"	86	WR63-3636	36" x 36" x 63"	81	AD63-3636C
36" x 48" x 63"	106	WR63-3648	36" x 48" x 63"	101	AD63-3648C
36" x 60" x 63"	130	WR63-3660	36" x 60" x 63"	125	AD63-3660C
36" x 72" x 63"	138	WR63-3672	36" x 72" x 63"	133	AD63-3672C

74" H STARTER KIT UNITS			74" H ADD-ON KIT UNITS		
DIMENSIONS	SHIP WGT	MODEL NO.	DIMENSIONS	SHIP WGT	MODEL NO.
12" x 36" x 74"	44	WR74-1236	12" x 36" x 74"	38	AD74-1236
12" x 42" x 74"	48	WR74-1242	12" x 42" x 74"	42	AD74-1242
12" x 48" x 74"	52	WR74-1248	12" x 48" x 74"	46	AD74-1248
12" x 60" x 74"	60	WR74-1260	12" x 60" x 74"	54	AD74-1260
12" x 72" x 74"	68	WR74-1272	12" x 72" x 74"	62	AD74-1272
14" x 24" x 74"	40	WR74-1424	14" x 24" x 74"	34	AD74-1424
14" x 30" x 74"	44	WR74-1430	14" x 30" x 74"	38	AD74-1430
14" x 36" x 74"	48	WR74-1436	14" x 36" x 74"	42	AD74-1436
14" x 42" x 74"	56	WR74-1442	14" x 42" x 74"	50	AD74-1442
14" x 48" x 74"	60	WR74-1448	14" x 48" x 74"	54	AD74-1448
14" x 54" x 74"	64	WR74-1454	14" x 54" x 74"	58	AD74-1454
14" x 60" x 74"	72	WR74-1460	14" x 60" x 74"	66	AD74-1460
14" x 72" x 74"	84	WR74-1472	14" x 72" x 74"	78	AD74-1472
18" x 24" x 74"	44	WR74-1824	18" x 24" x 74"	38	AD74-1824
18" x 30" x 74"	48	WR74-1830	18" x 30" x 74"	42	AD74-1830
18" x 36" x 74"	56	WR74-1836	18" x 36" x 74"	50	AD74-1836
18" x 42" x 74"	60	WR74-1842	18" x 42" x 74"	54	AD74-1842
18" x 48" x 74"	64	WR74-1848	18" x 48" x 74"	58	AD74-1848
18" x 54" x 74"	76	WR74-1854	18" x 54" x 74"	70	AD74-1854
18" x 60" x 74"	84	WR74-1860	18" x 60" x 74"	78	AD74-1860
18" x 72" x 74"	96	WR74-1872	18" x 72" x 74"	90	AD74-1872
21" x 24" x 74"	48	WR74-2124	21" x 24" x 74"	42	AD74-2124
21" x 30" x 74"	52	WR74-2130	21" x 30" x 74"	46	AD74-2130
21" x 36" x 74"	60	WR74-2136	21" x 36" x 74"	54	AD74-2136
21" x 42" x 74"	64	WR74-2142	21" x 42" x 74"	58	AD74-2142
21" x 48" x 74"	72	WR74-2148	21" x 48" x 74"	66	AD74-2148
21" x 54" x 74"	80	WR74-2154	21" x 54" x 74"	74	AD74-2154
21" x 60" x 74"	88	WR74-2160	21" x 60" x 74"	82	AD74-2160
21" x 72" x 74"	112	WR74-2172	21" x 72" x 74"	106	AD74-2172
24" x 24" x 74"	52	WR74-2424	24" x 24" x 74"	46	AD74-2424
24" x 30" x 74"	60	WR74-2430	24" x 30" x 74"	54	AD74-2430
24" x 36" x 74"	68	WR74-2436	24" x 36" x 74"	62	AD74-2436
24" x 42" x 74"	76	WR74-2442	24" x 42" x 74"	70	AD74-2442
24" x 48" x 74"	80	WR74-2448	24" x 48" x 74"	74	AD74-2448
24" x 54" x 74"	88	WR74-2454	24" x 54" x 74"	82	AD74-2454
24" x 60" x 74"	100	WR74-2460	24" x 60" x 74"	94	AD74-2460
24" x 72" x 74"	120	WR74-2472	24" x 72" x 74"	114	AD74-2472
30" x 36" x 74"	76	WR74-3036	30" x 36" x 74"	70	AD74-3036
30" x 42" x 74"	88	WR74-3042	30" x 42" x 74"	82	AD74-3042
30" x 48" x 74"	100	WR74-3048	30" x 48" x 74"	94	AD74-3048
30" x 60" x 74"	124	WR74-3060	30" x 60" x 74"	118	AD74-3060
30" x 72" x 74"	140	WR74-3072	30" x 72" x 74"	134	AD74-3072
36" x 36" x 74"	88	WR74-3636	36" x 36" x 74"	82	AD74-3636
36" x 48" x 74"	108	WR74-3648	36" x 48" x 74"	102	AD74-3648
36" x 60" x 74"	132	WR74-3660	36" x 60" x 74"	126	AD74-3660
36" x 72" x 74"	140	WR74-3672	36" x 72" x 74"	134	AD74-3672

Highest Quality, Lowest Price Guaranteed!

For more information: sales@mbhny.com

Export Representatives:
MBH International Sales, Inc.
4907 SW 75th Ave. Miami, FL 33155 USA
Phone: (305) 669-1894 Fax: (305) 669-1797
www.mbhny.com